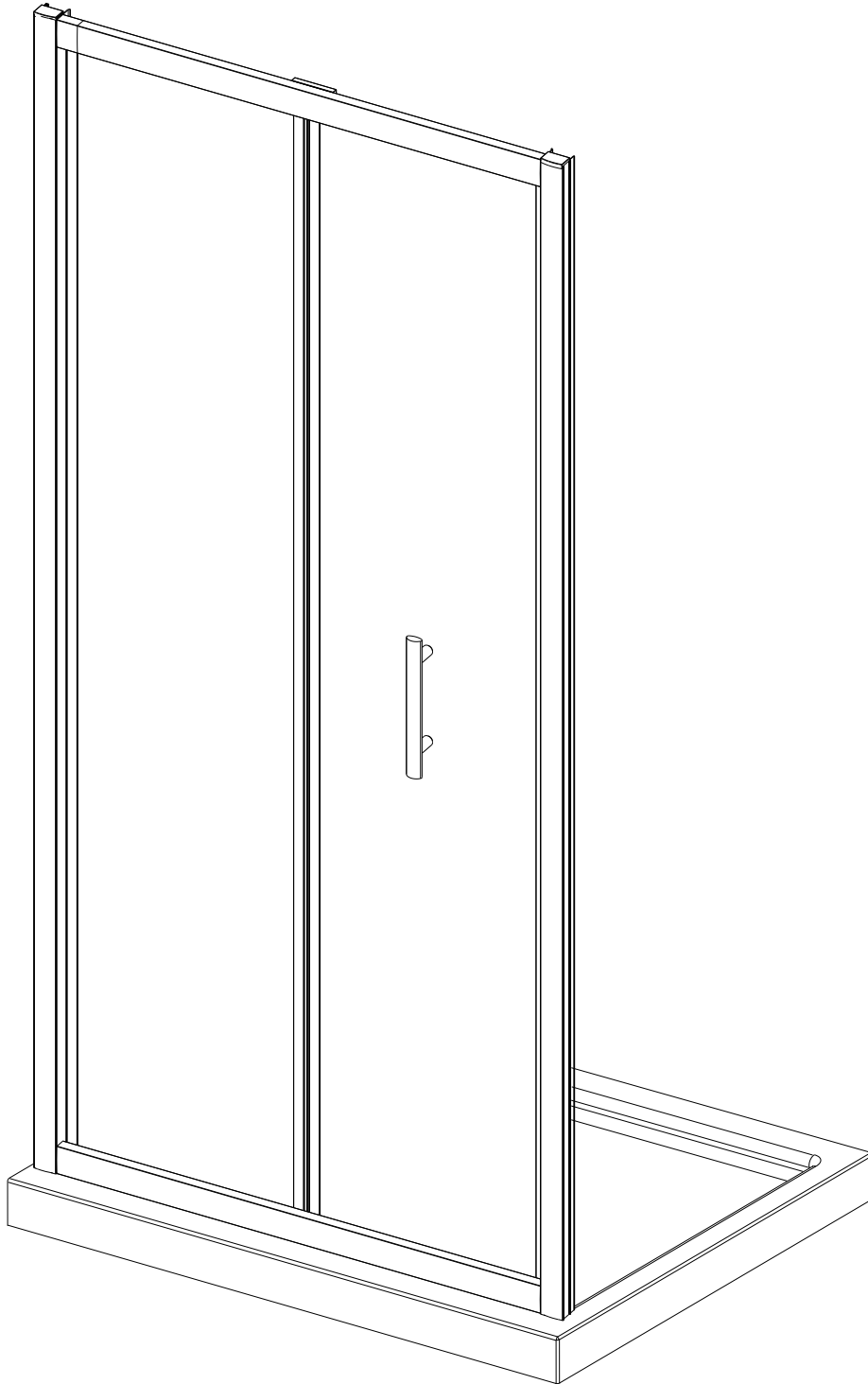


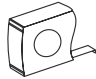


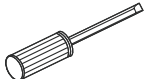
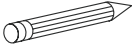
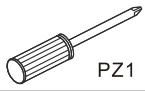

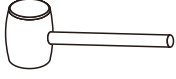
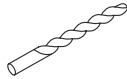

6mm BIFOLD DOOR GUIDE




General Information

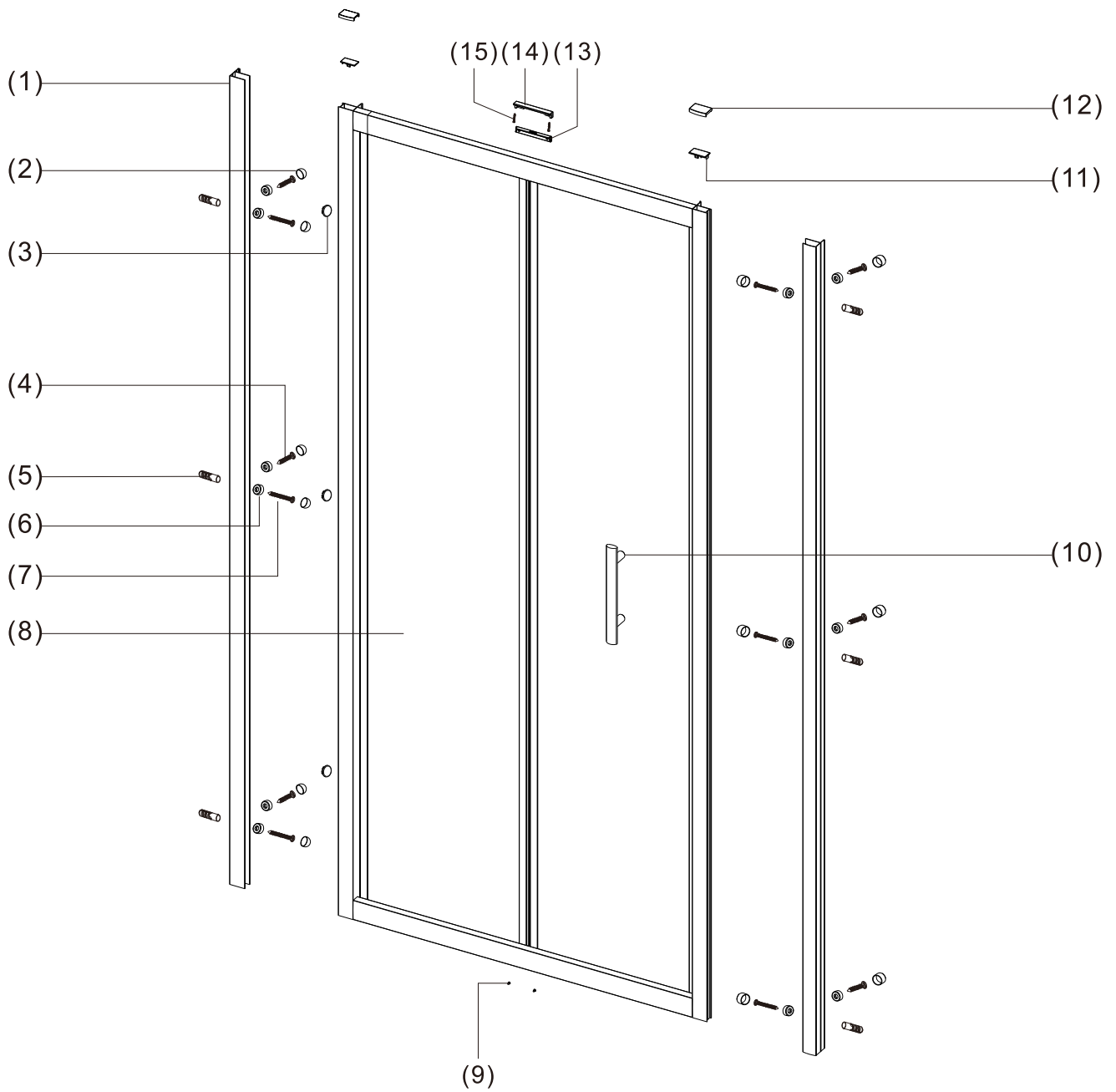
Please inspect this product upon delivery. Any missing parts or manufacturing defects must be reported immediately to the supplier. Damage or defects reported later will not be accepted. **TAKE CARE WHEN HANDLING GLASS PARTS-AVOID HEAVY CONTACT BETWEEN THE GLASS EDGES AND ANY HARD SURFACE.** Glass breakage claims will not be accepted after the product has been unpacked.

TOOLS REQUIRED

DESCRIPTION	PART IMAGE	DESCRIPTION	PART IMAGE
Tape measure		Drill	
Spirit level		Flat-head Screwdriver	
Pencil		Cross head Screwdriver	 PZ1
Ø6mm Drill bit		Mallet	
Ø3mm Drill bit		Silicone Sealant	

 This product is heavy and may require two people to install.

ASSEMBLY INSTRUCTIONS-DRAWING



- (1) 2x Wall Profiles
- (2) 12x Screw Cover Caps
- (3) 3x Screw Caps
- (4) 6x Screws 4x16
- (5) 6x Wall Plugs
- (6) 12x Screw Cover Clips
- (7) 6x Screws 4x30
- (8) 1x Bifold Door

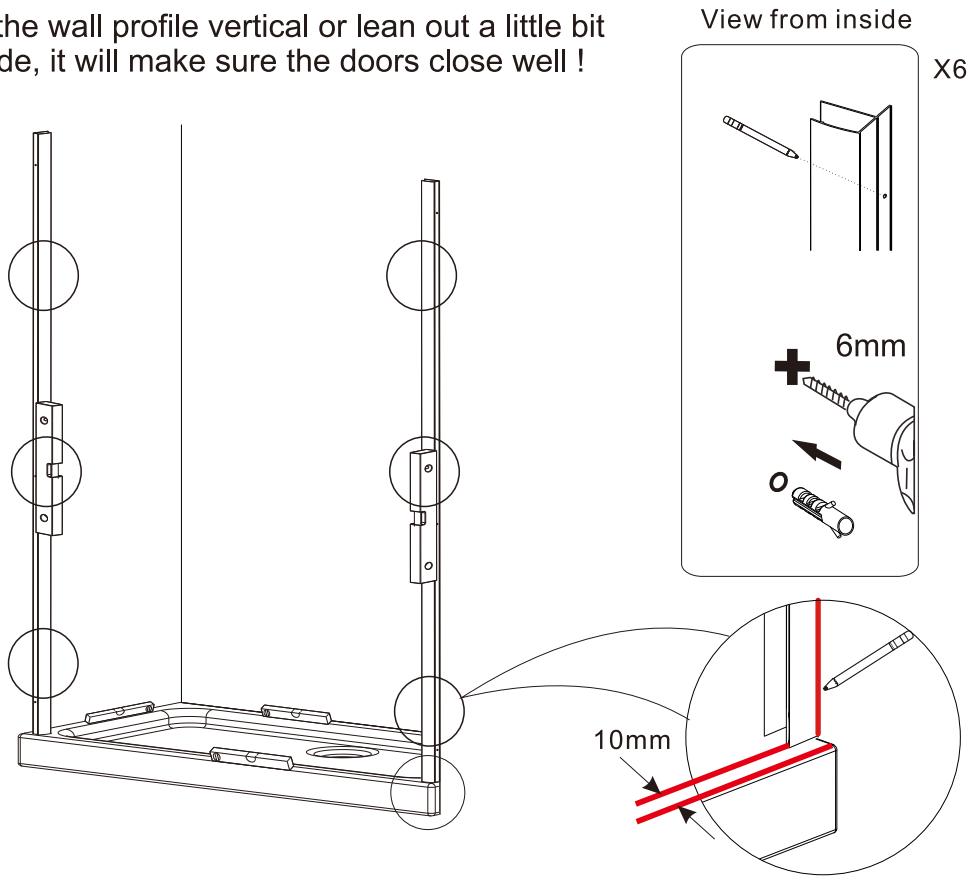
- (9) 2x Button caps
- (10) 1x Handle
- (11) 2x Upright profile cover caps
- (12) 2x Wall Profile caps L/R
- (13) 1x Door Clip A
- (14) 1x Door Clip B
- (15) 2x Screws ST3.5x12

Before Installation

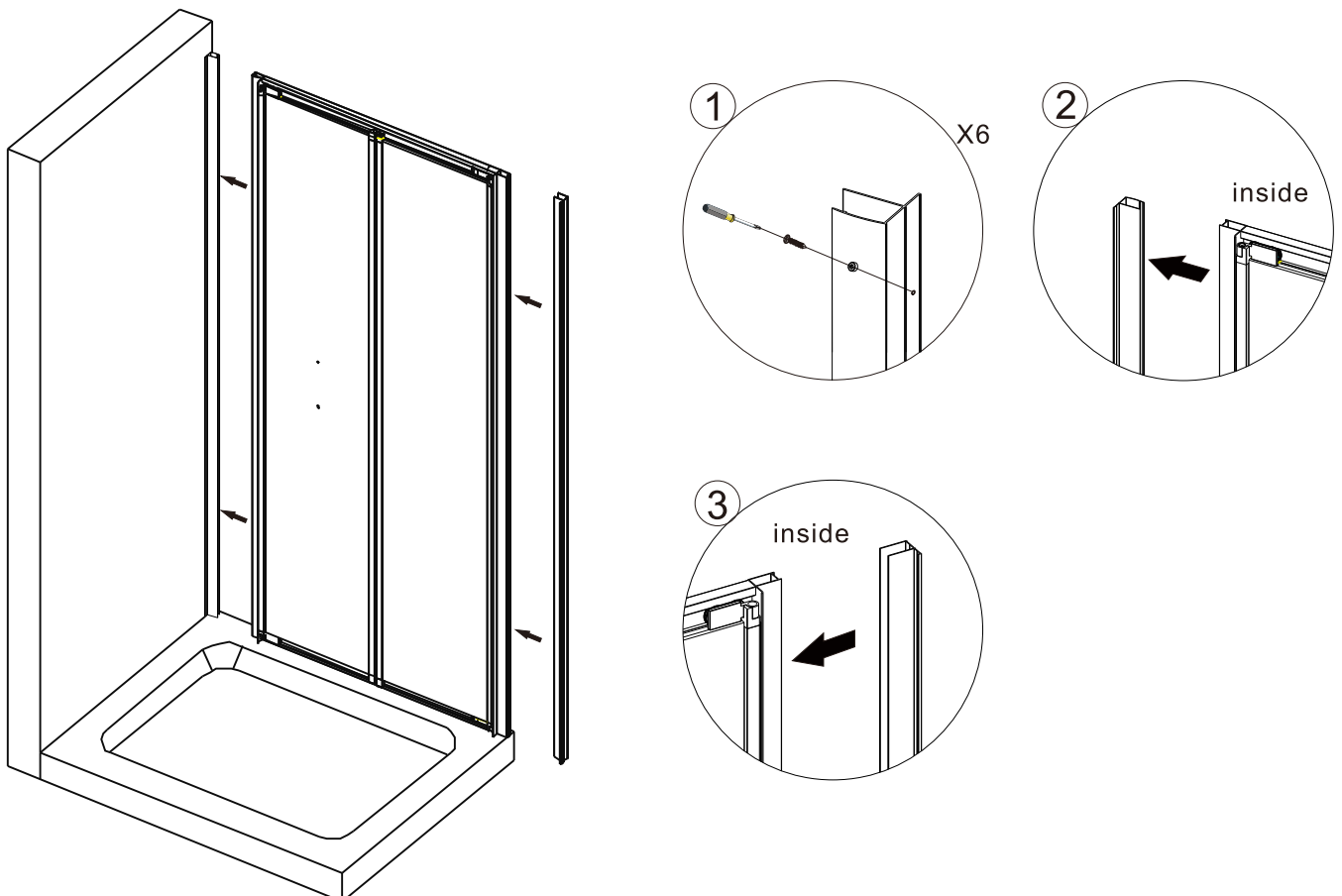
Please ensure that the shower tray is level and checked with a spirit level. The tray should be installed first. Tiles should then be tiled down to the tray. The enclosure can then be installed.

Step 1 Mark wall fixing positions. Drill wall and screw to wall

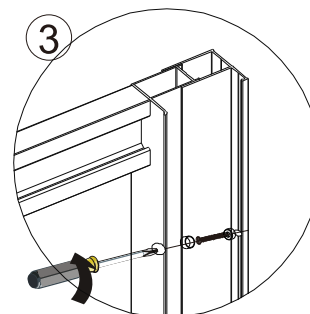
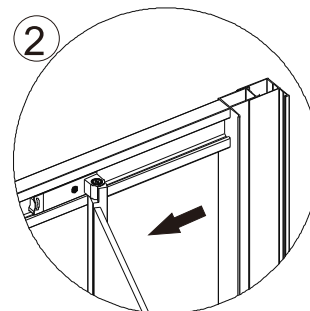
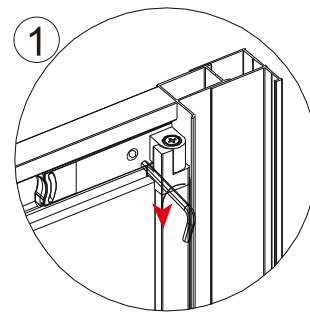
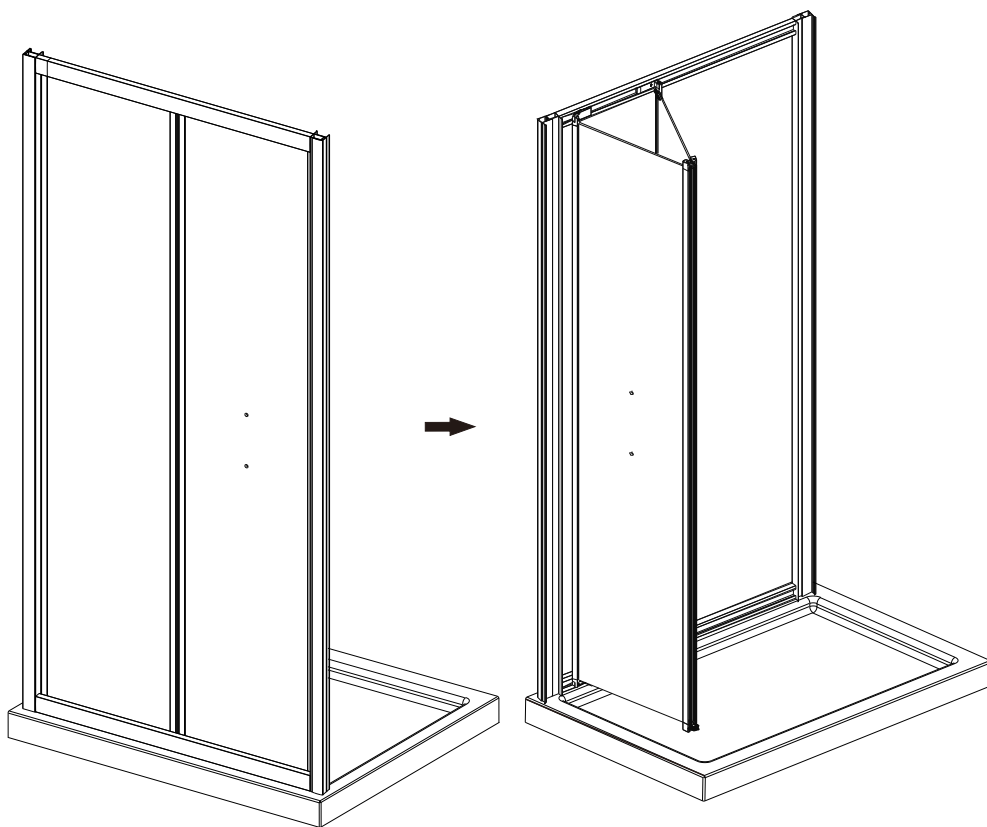
Note: Make sure the wall profile vertical or lean out a little bit to the outside, it will make sure the doors close well !



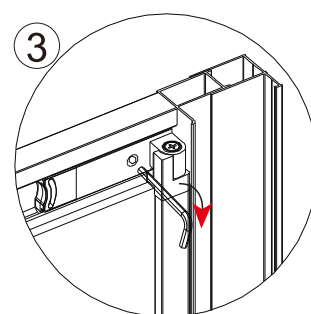
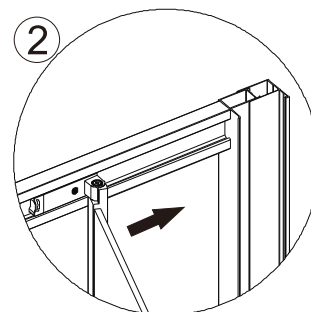
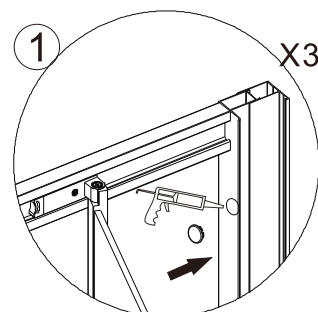
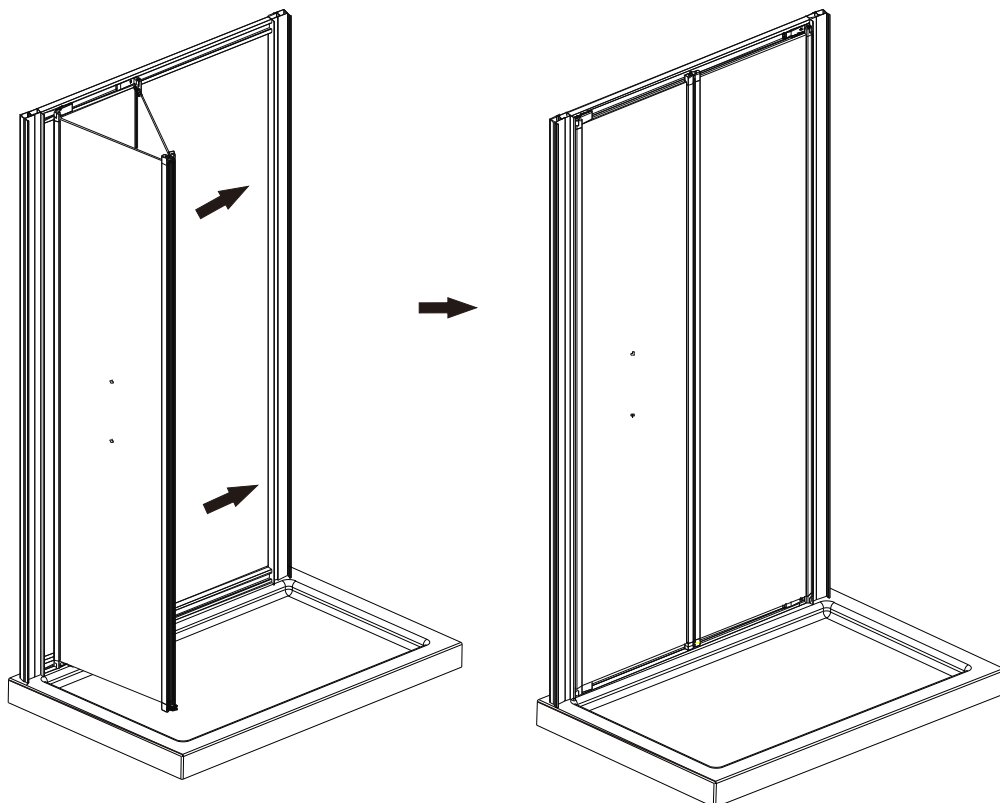
Step 2 Slide other wall profile onto door , lift door onto tray



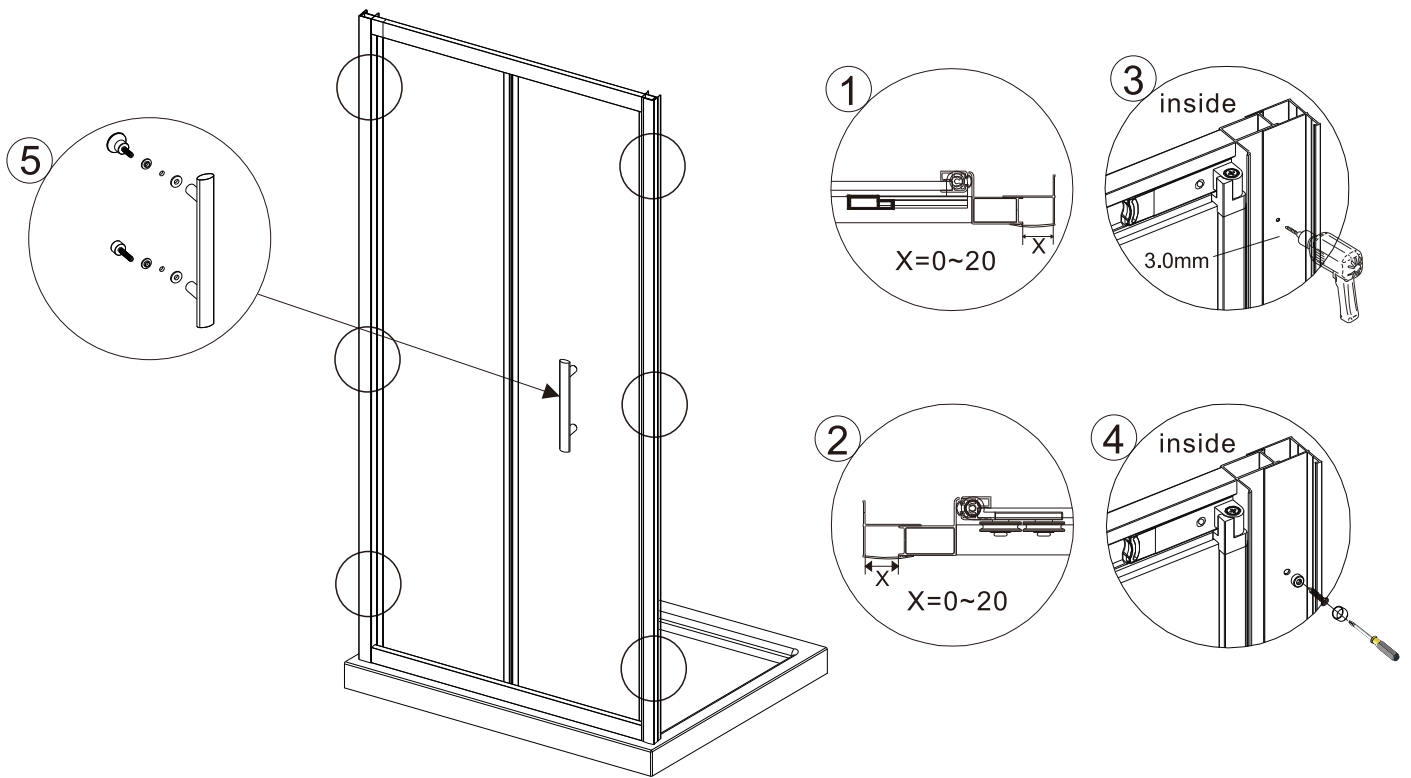
Step 3 Fitting wall profile of fixed panel side



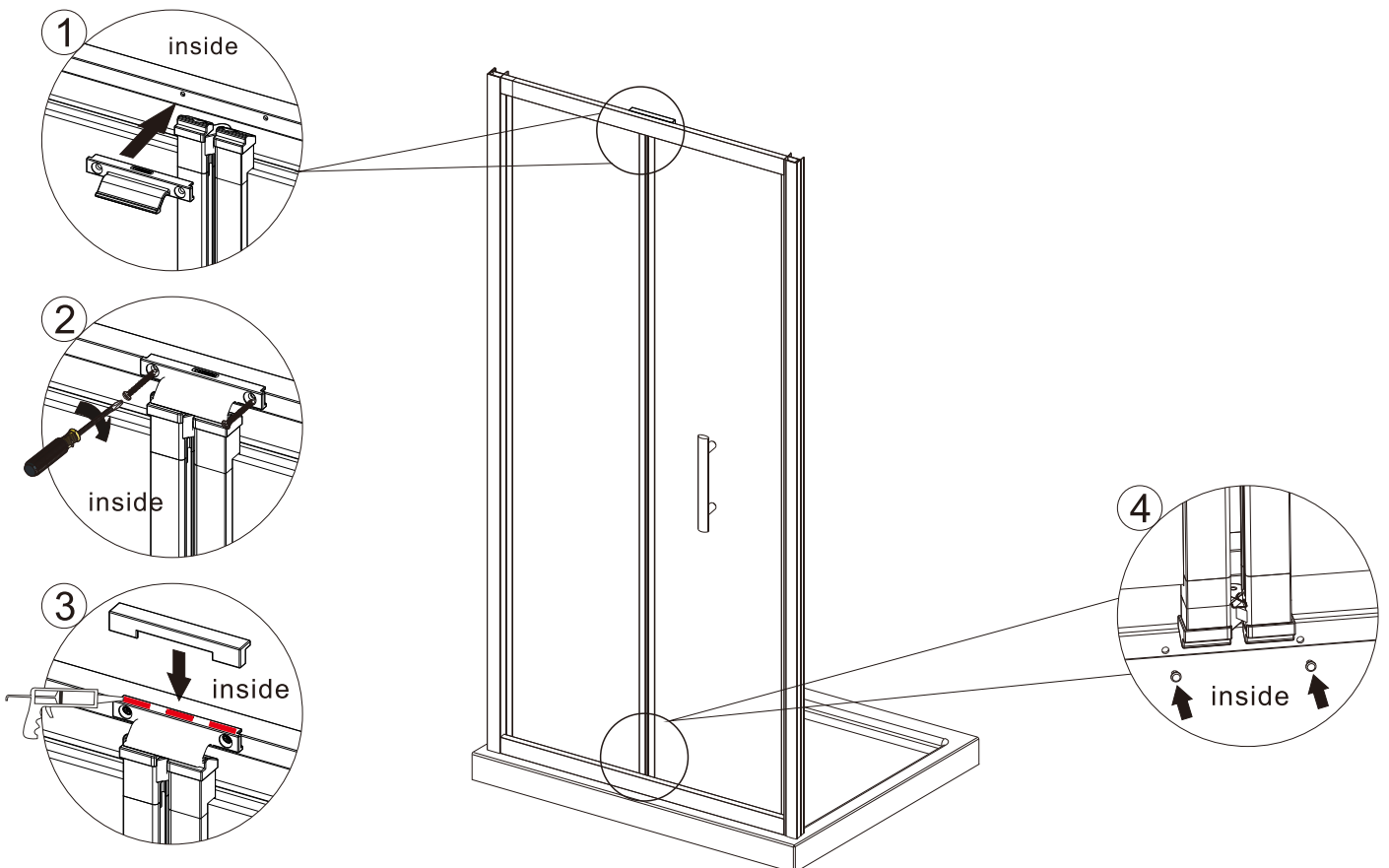
Step 4 Fitting the fixed panel



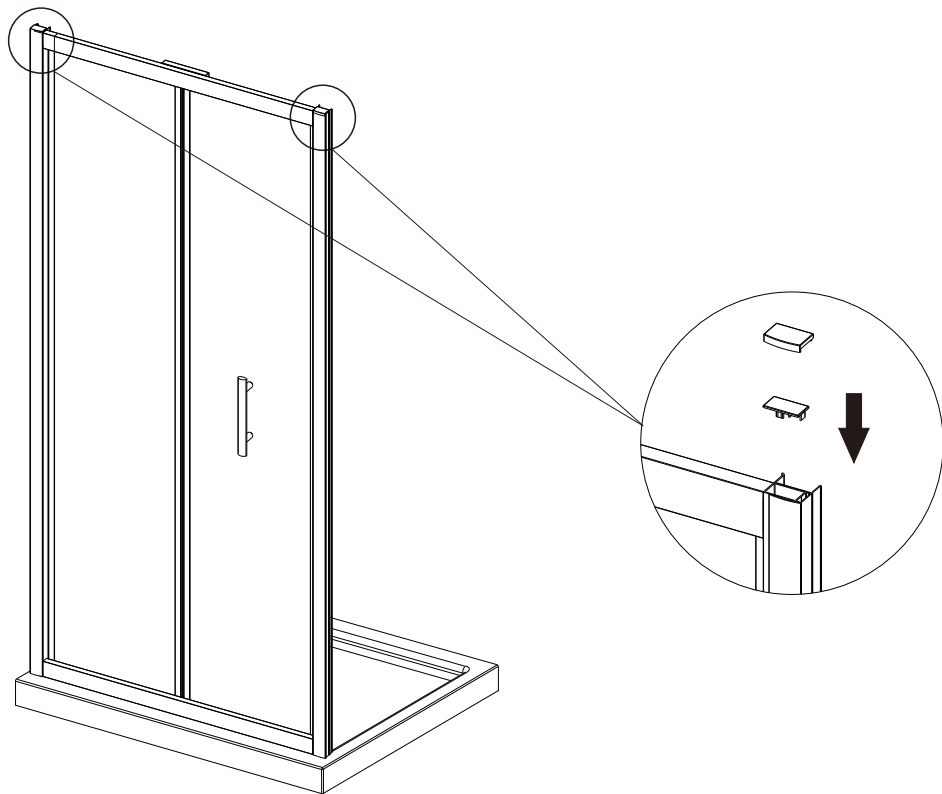
Step 5 Drill the door frame to the wall profiles and fit the handle



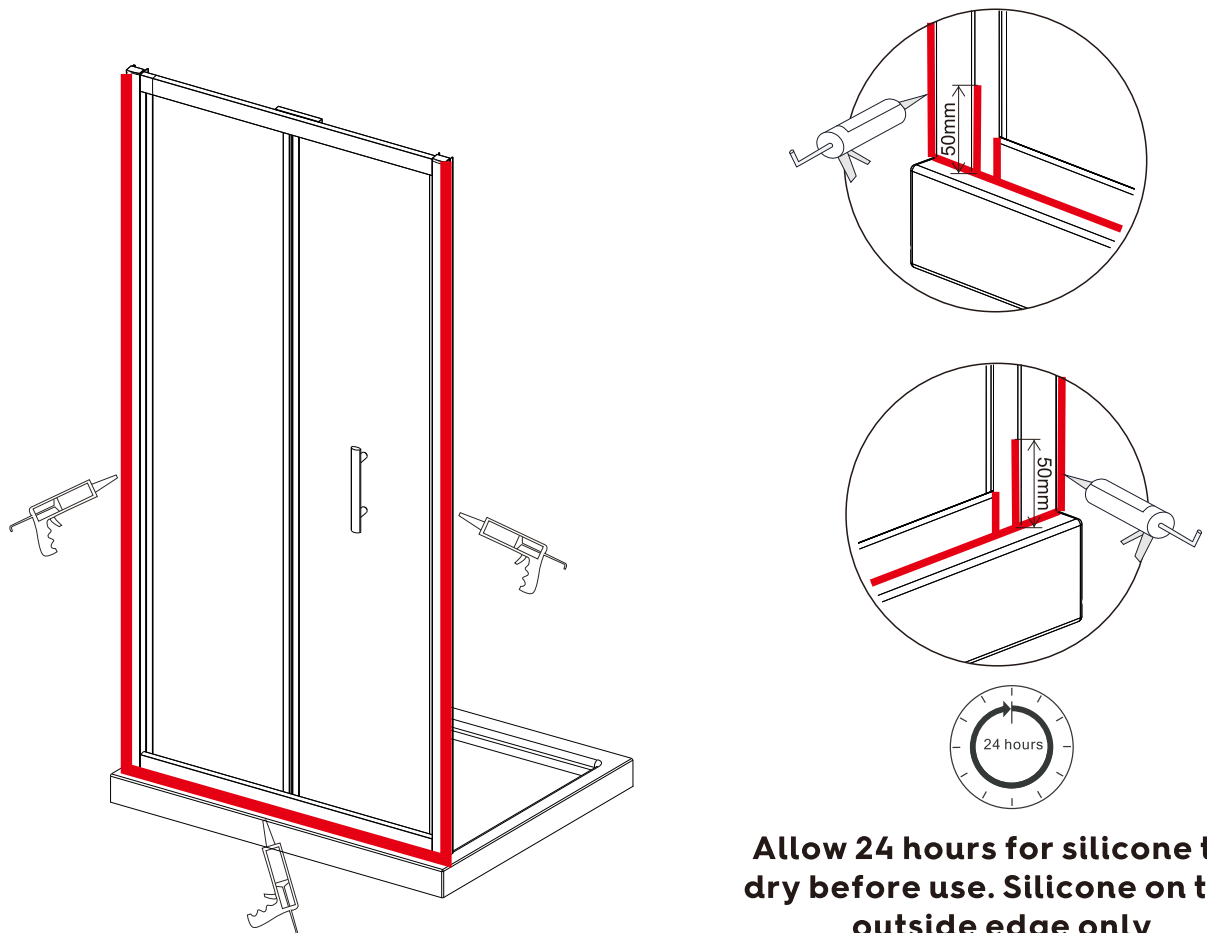
Step 6 Install door clip and button caps



Step 7 Fix cover caps



Step 8 Silicone the outside edges



Aftercare instructions

Regularly clean your shower product with warm soapy water to prevent lime scale build up. **DO NOT** use abrasive cleaning fluids or materials, or strong chemical cleaners as this will damage the product surface.