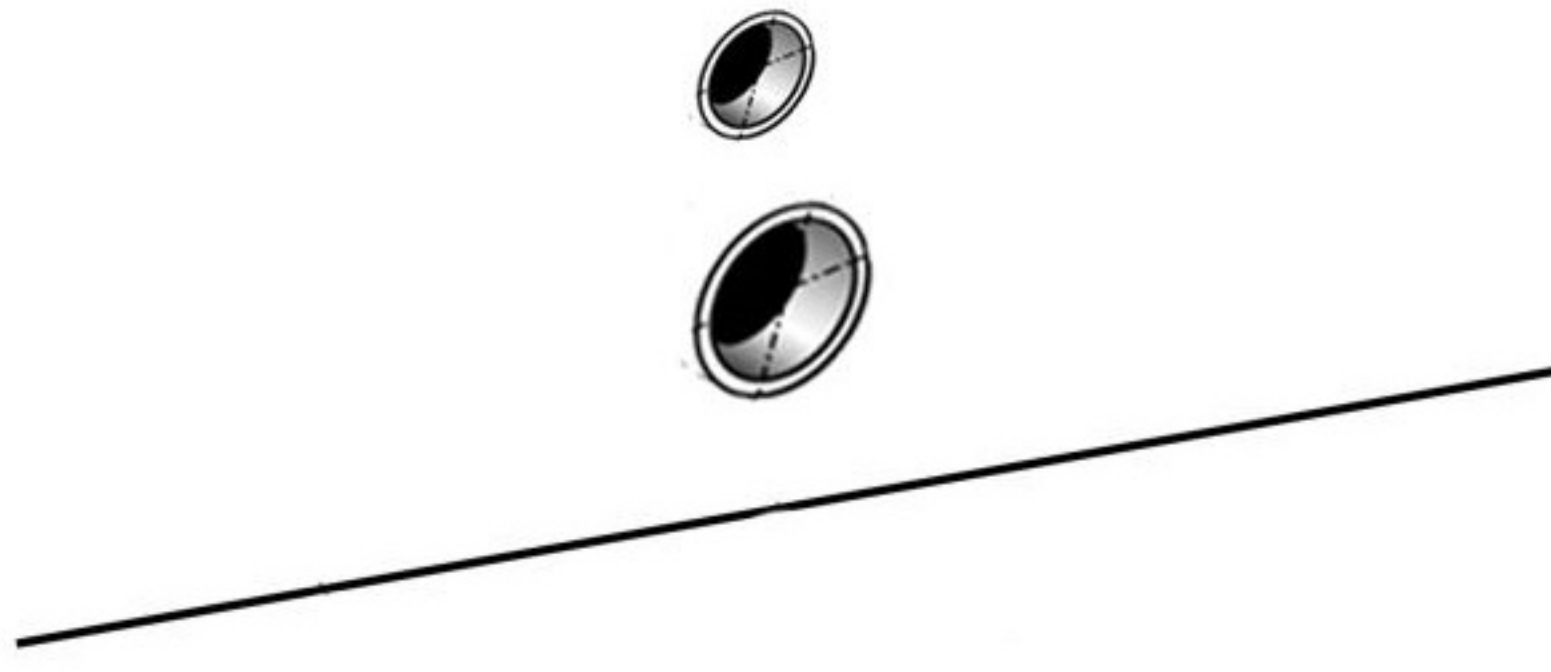
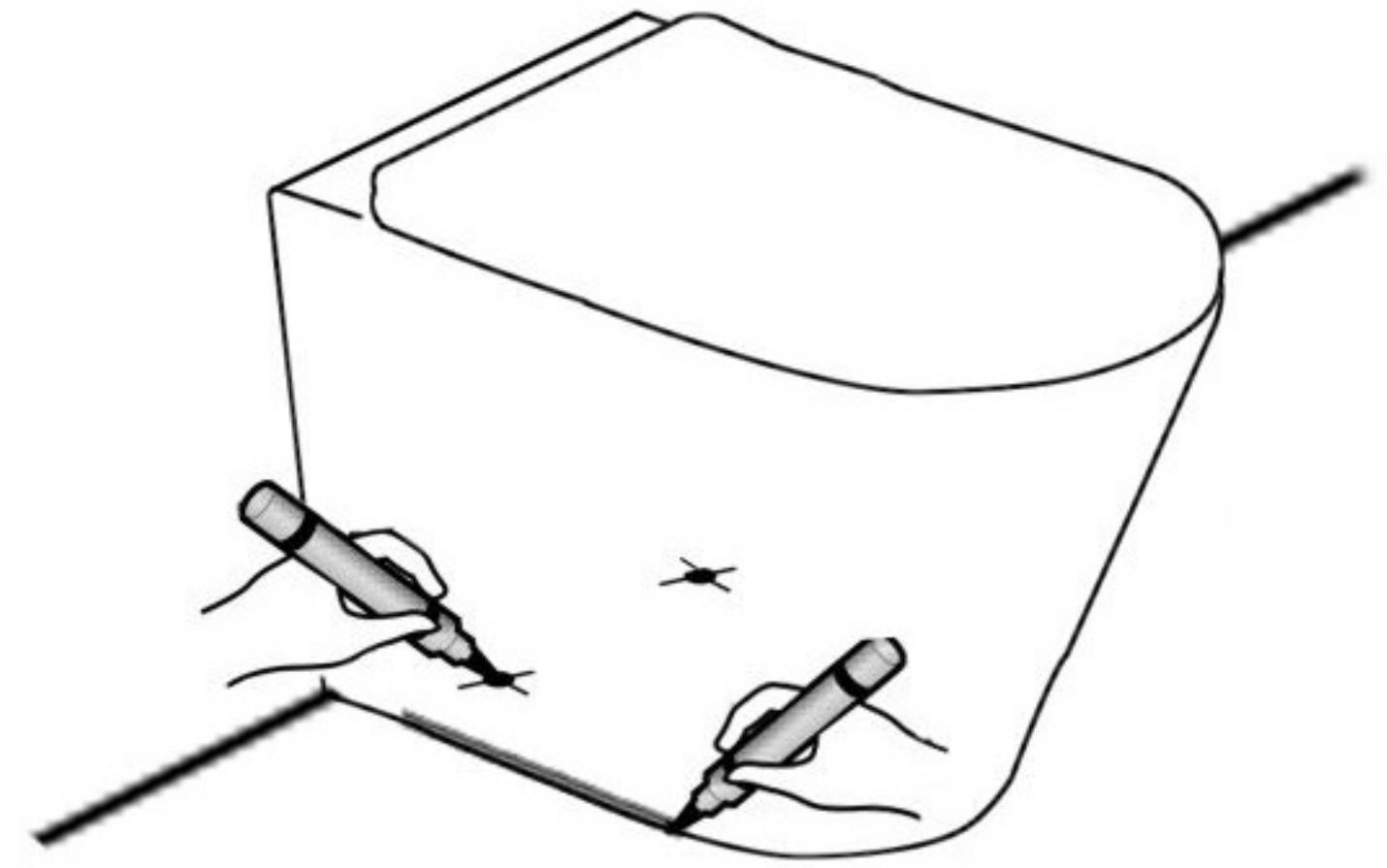


# BTW INSTALLATION INSTRUCTION

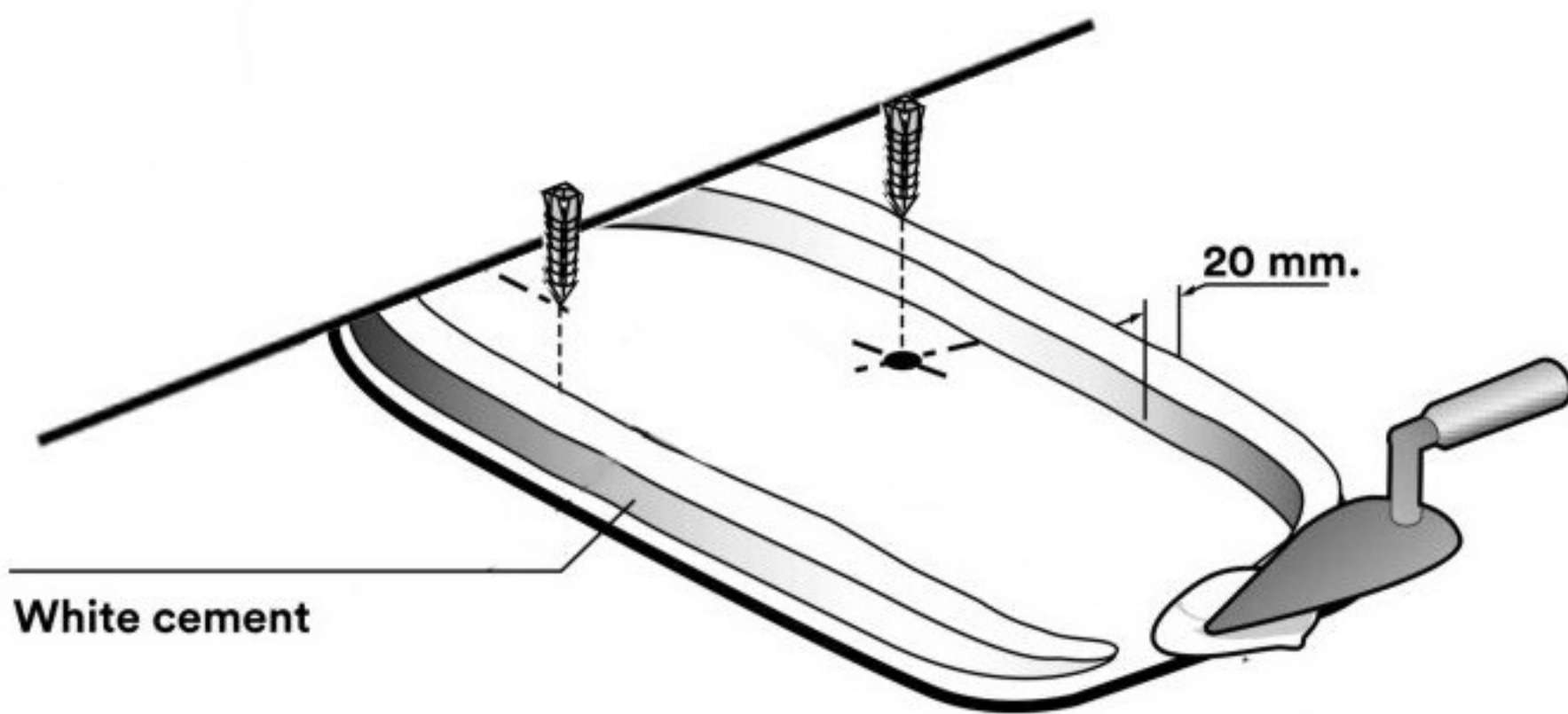
**1** Lay the pipe as shown.



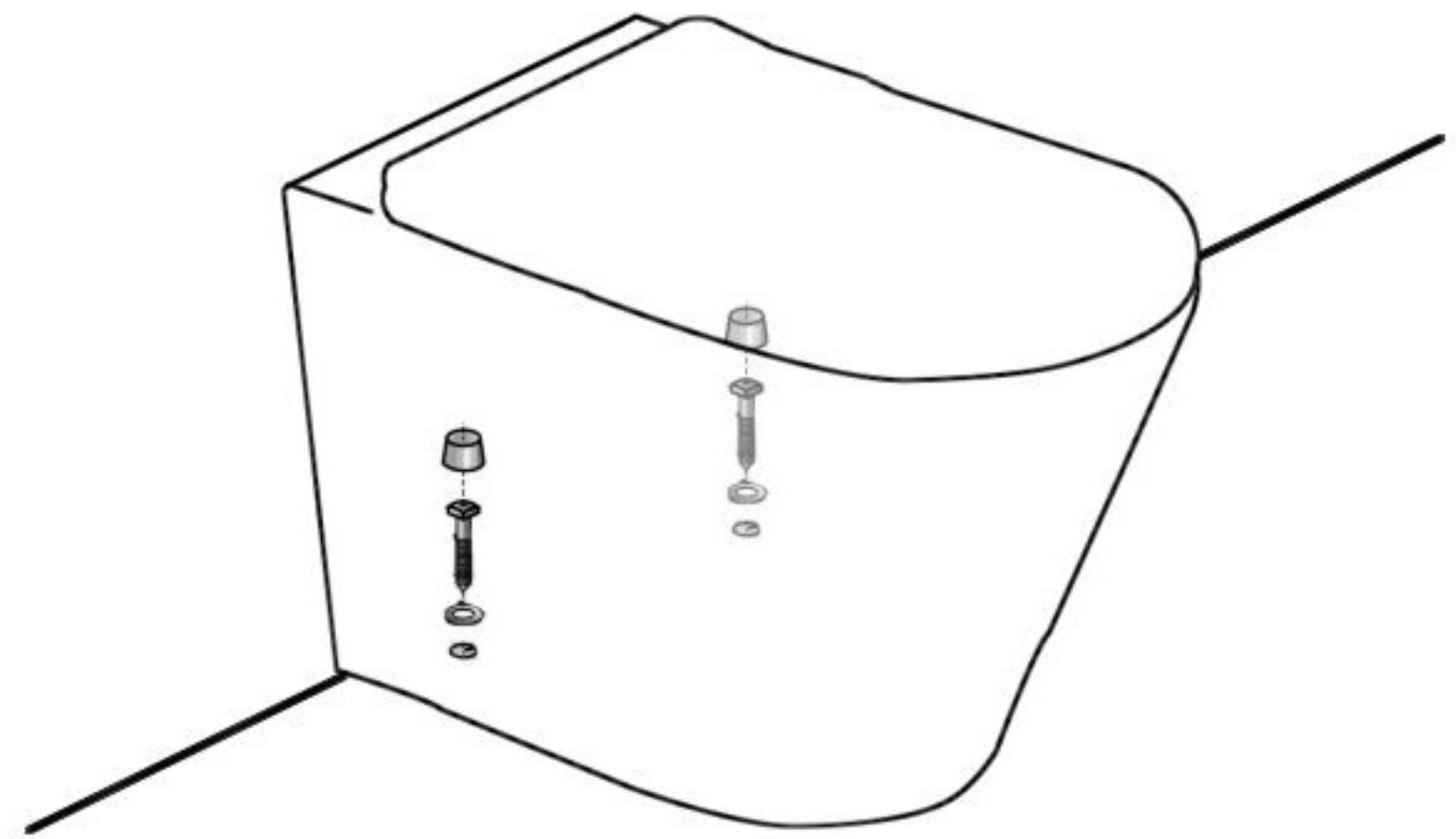
**2** Mark white cement line or silicone and screw holes.



**3** Lay white cement as mark.



**4** Fix the fixing screws.



**5** Check the overall installation and seal the base.

