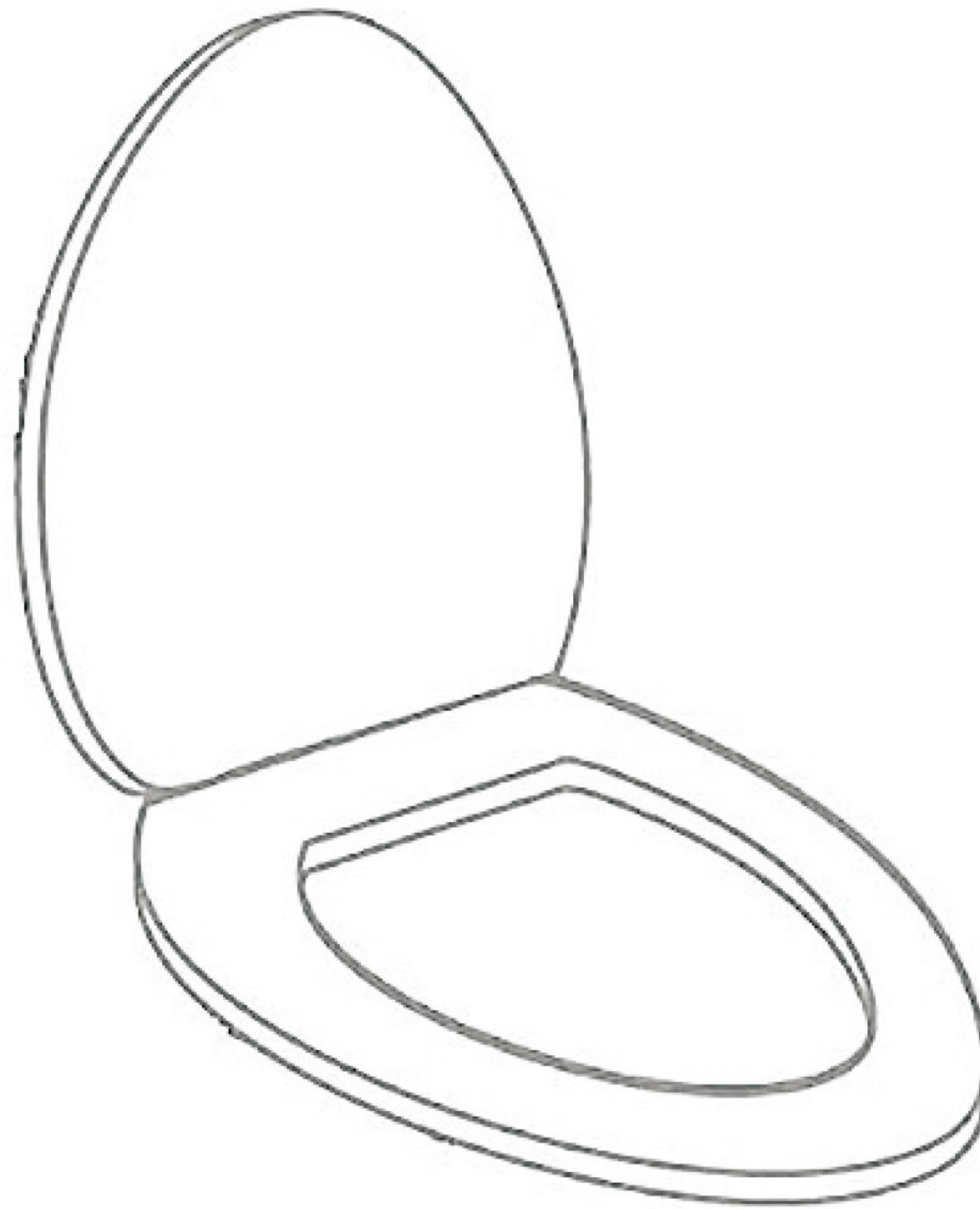


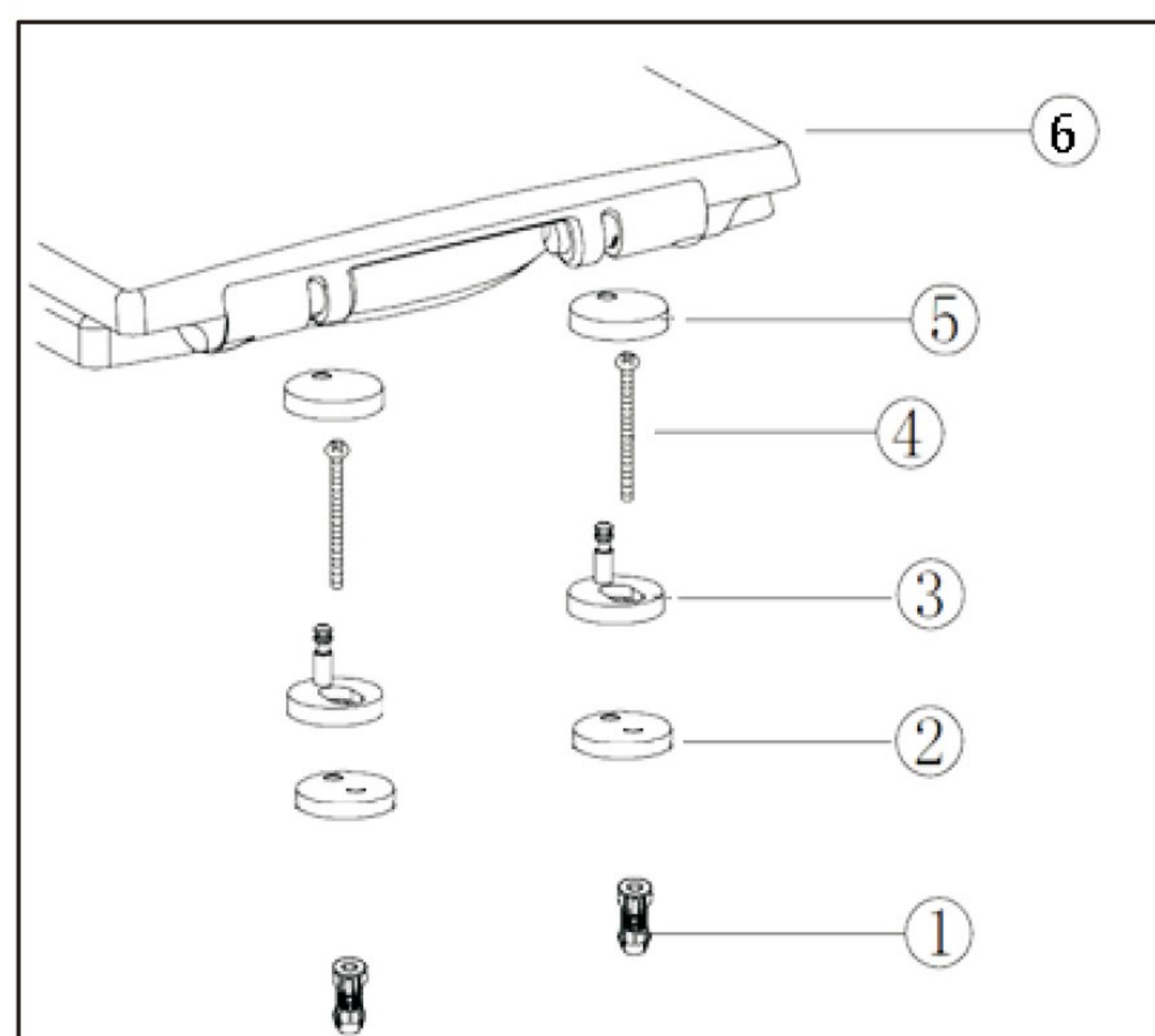


Top Fix Soft Close Toilet Seat



Please note: Image is for illustrative purposes only and may differ slightly to the actual product

Parts

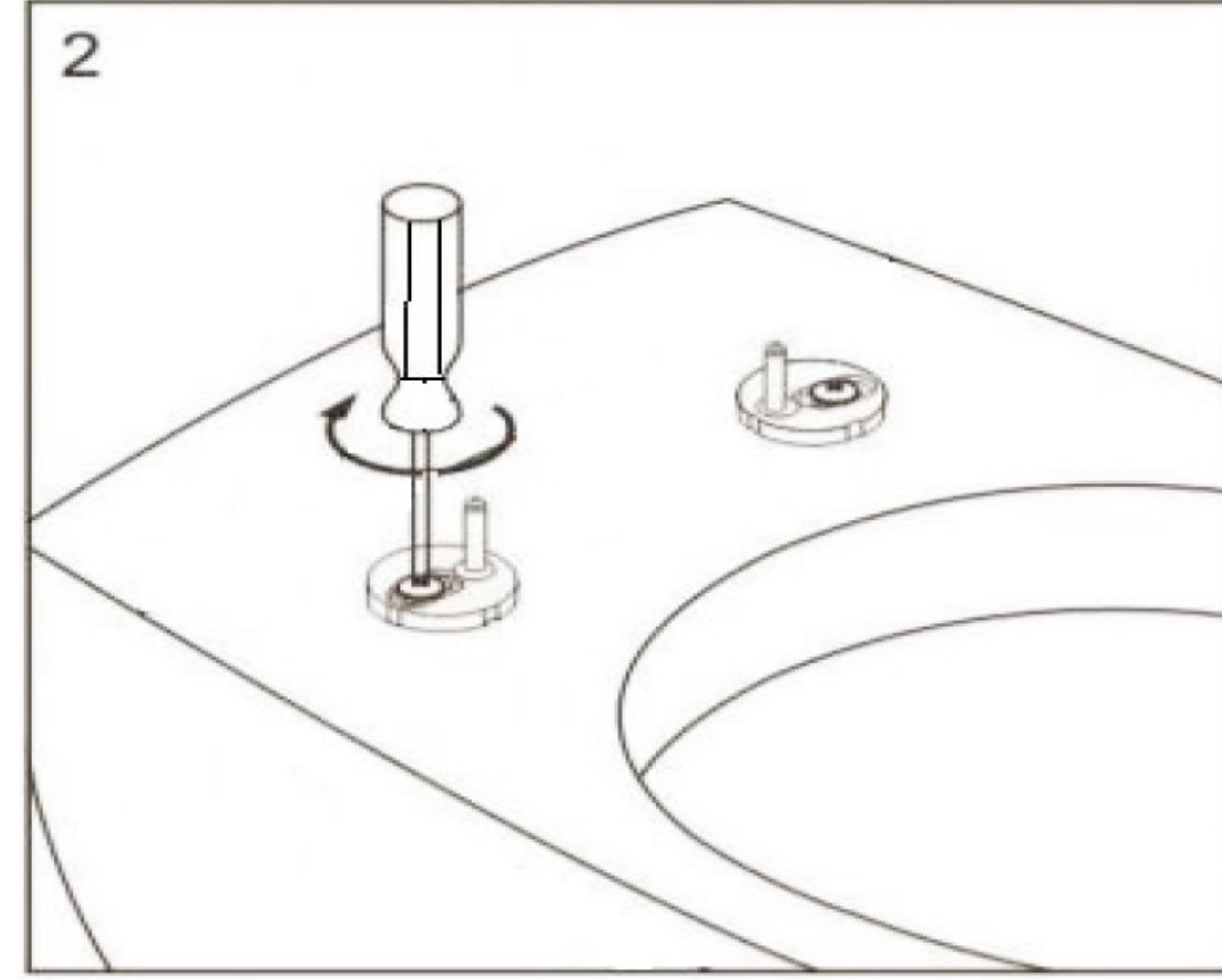
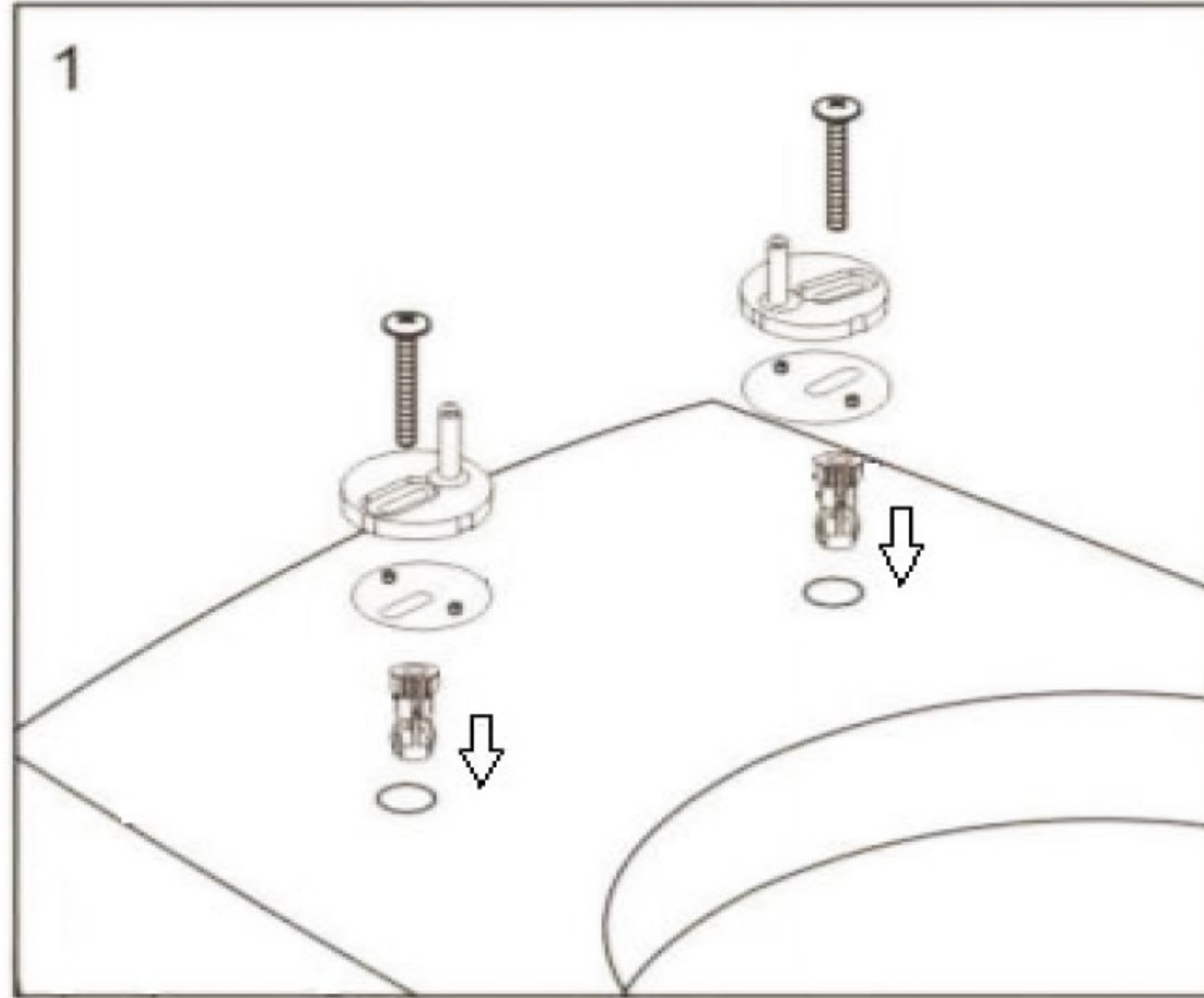


Please note that Parts are for illustrative purposes only and may differ slightly to the actual product

- | | |
|-------------------|----------------------|
| 1. Expanding Plug | 4. Fixing Screw |
| 2. Gasket | 5. Fitting Cover |
| 3. Fitting Peg | 6. Seat/Lid Assembly |

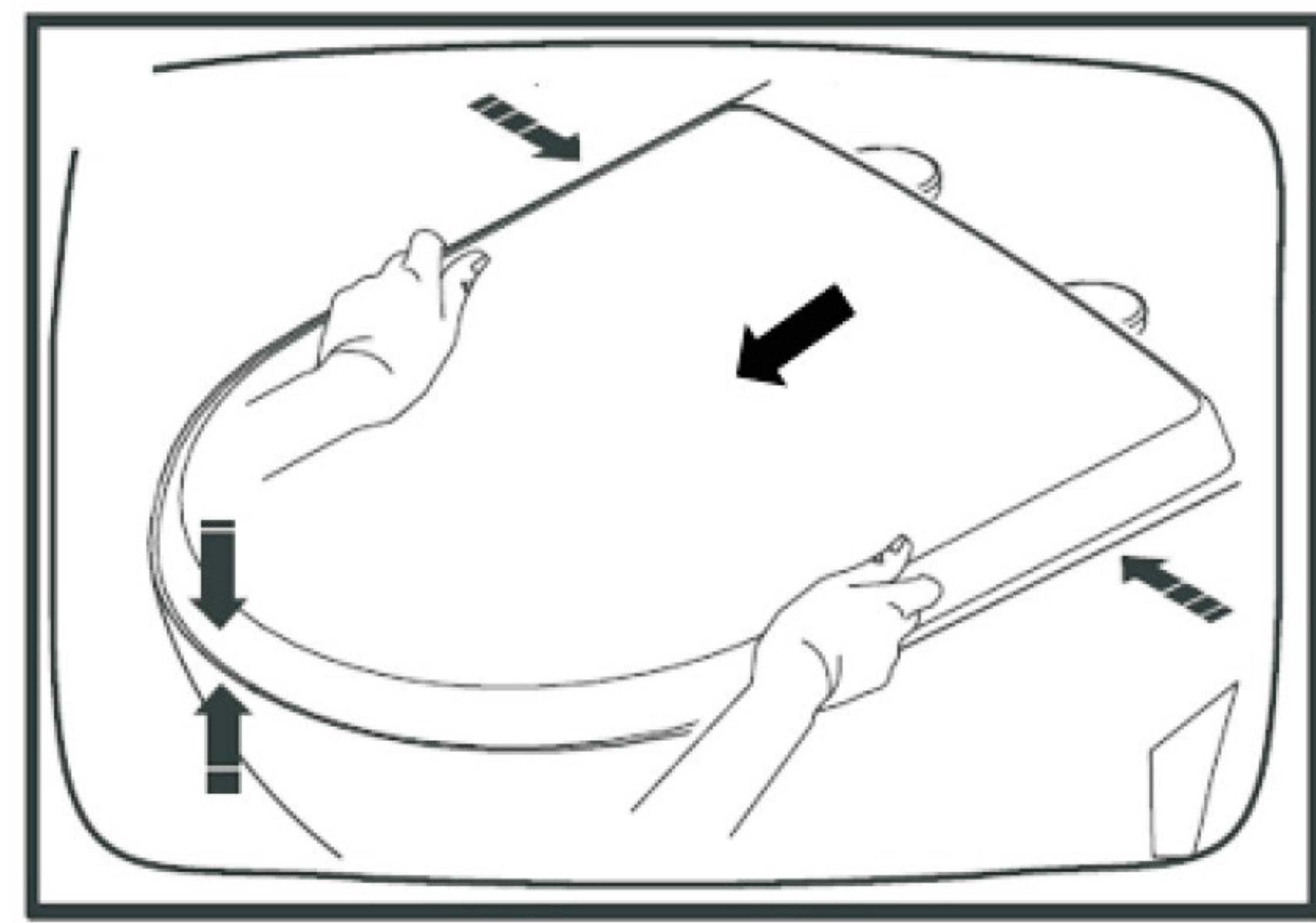
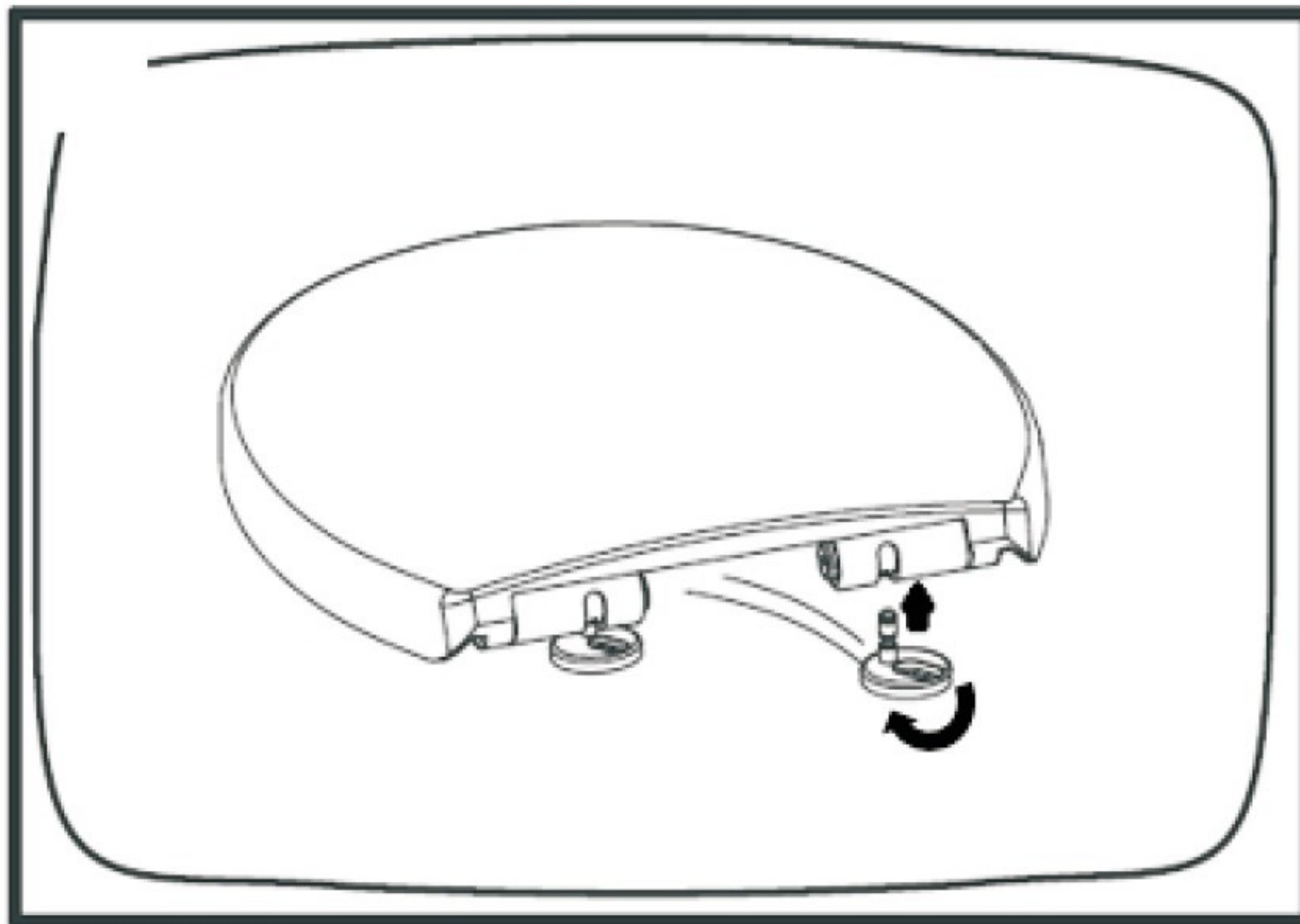
Installation

1. Push the expanding plugs (part 1) into the holes on the toilet pan then place the gaskets (part 2) between fitting pegs (part 3) and toilet pan. Next, place the long screws (part 4) through the fitting pegs and gaskets and screw into the expanding plug (part 1).

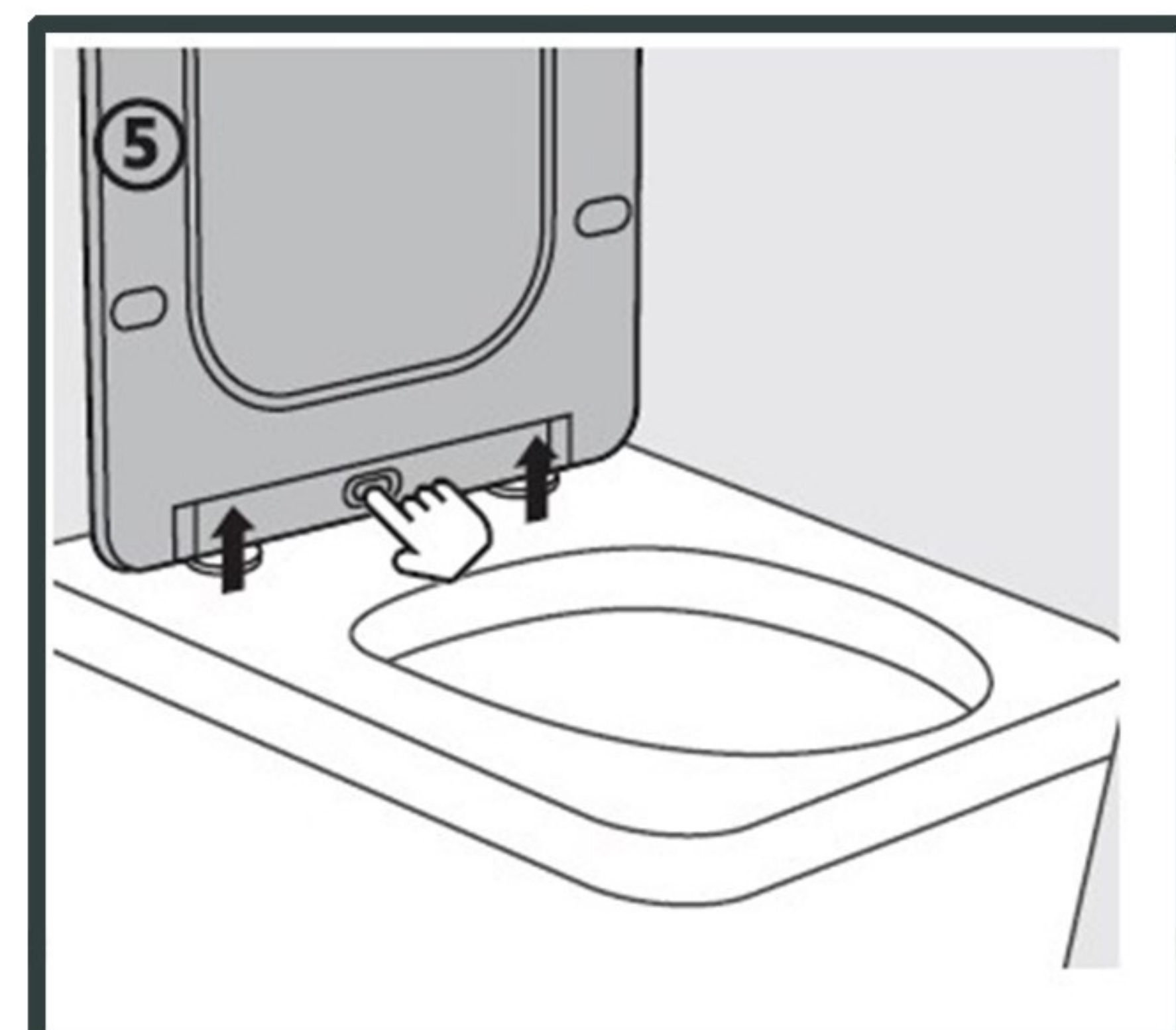
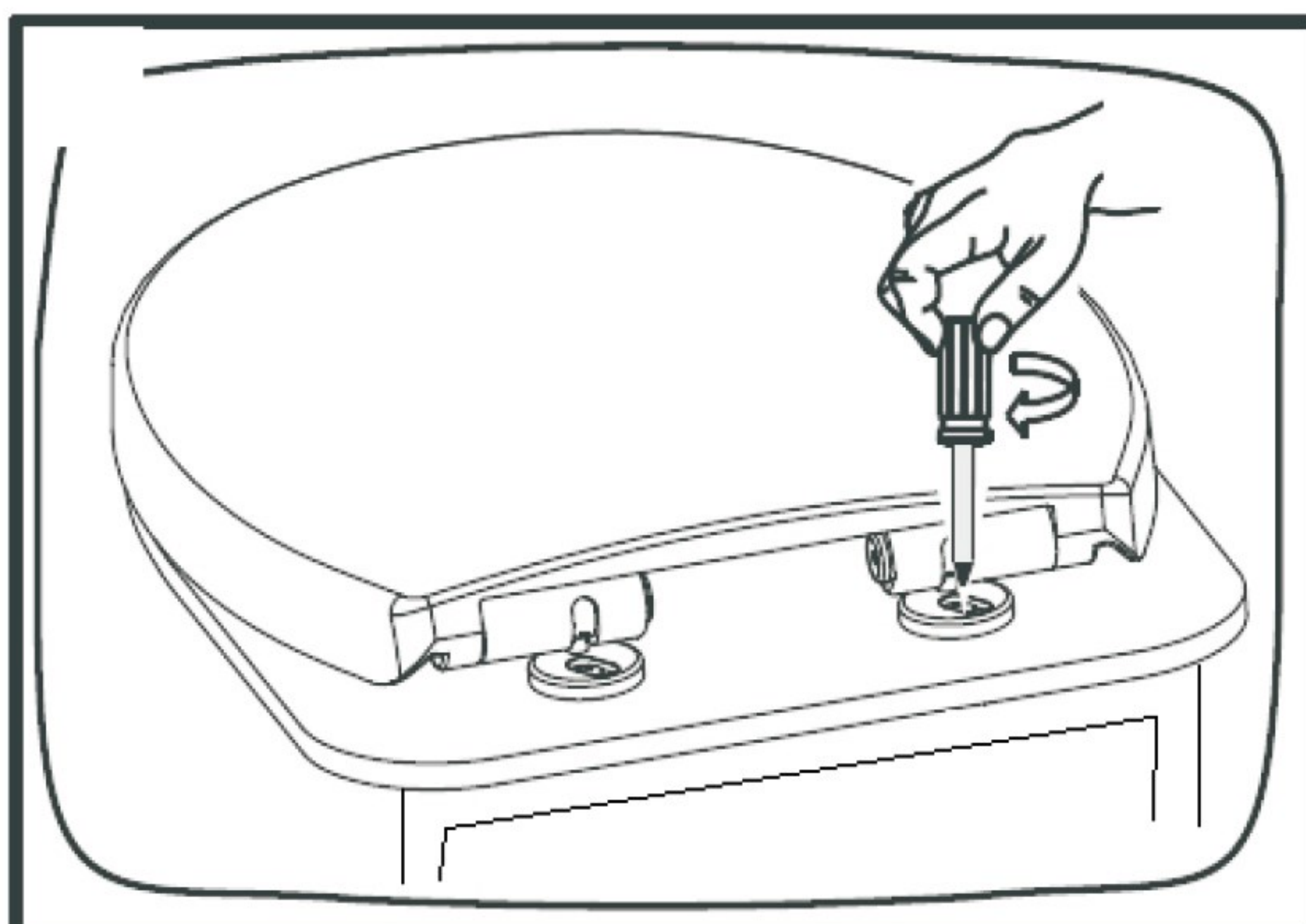


Please note: Fit the screws loosely and do not fully tighten at this stage

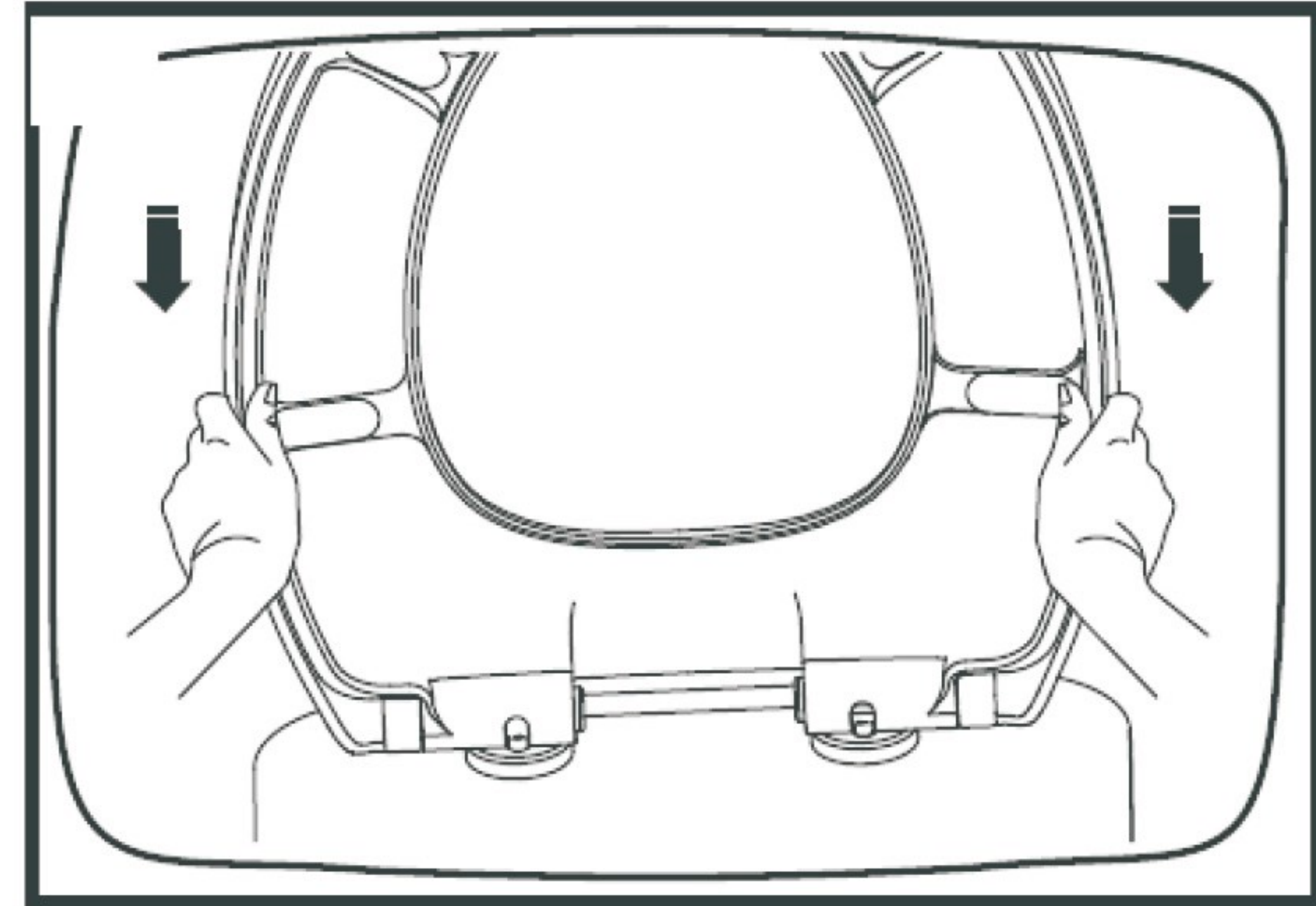
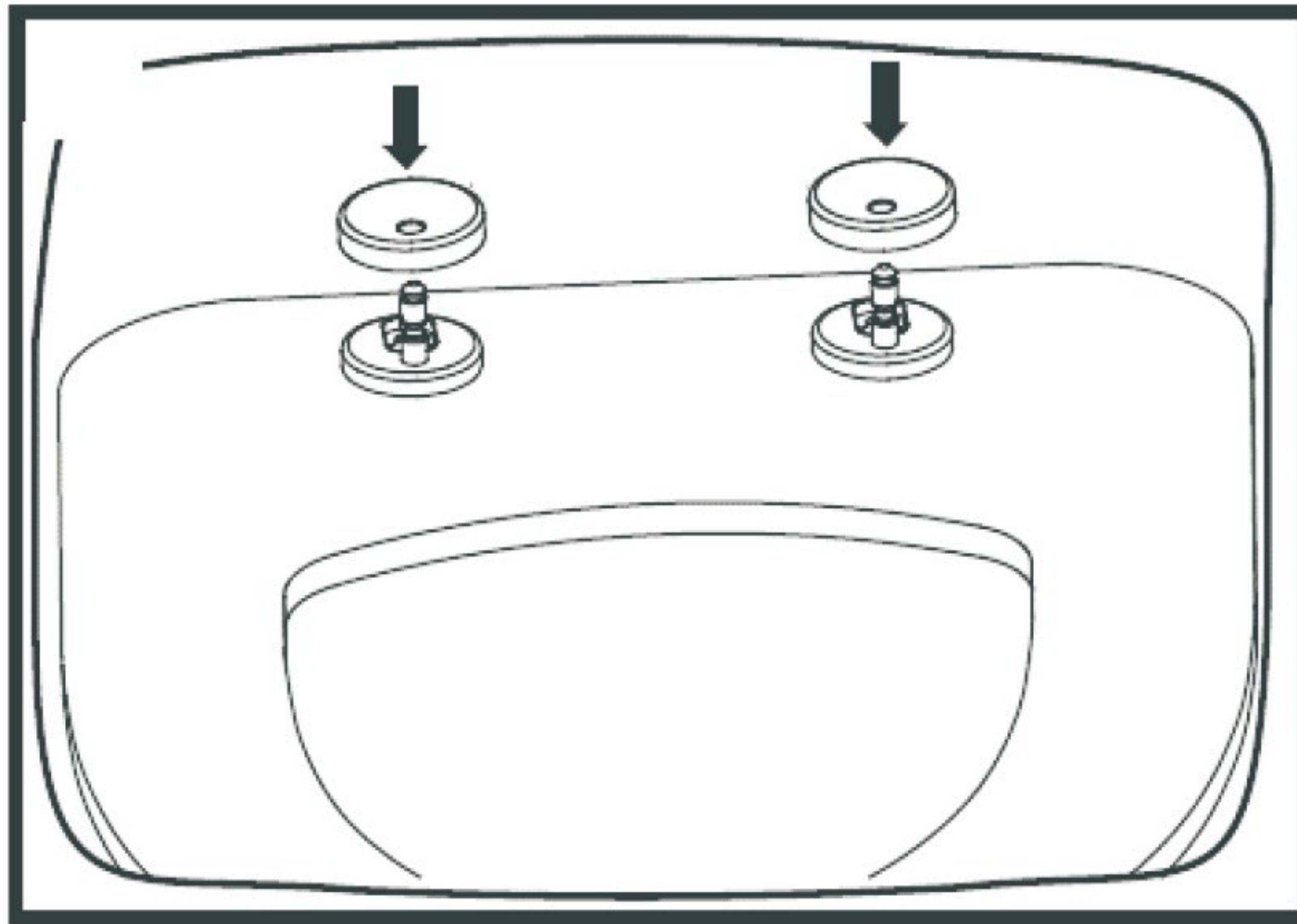
2. Turn the fittings on the toilet so that they align with the holes on the seat, then push the seat onto the pegs until it clicks into place. Gently move the seat so that it aligns on the toilet pan.



3. Once the seat is aligned, tighten the screws into the fittings (as below) then once the seat is secured, remove it by pressing the buttons and lifting away.



4. Place the fitting covers over the fixed fittings then push the seat onto the fitting pegs and click into position



Using

During use do not force the seat closed as this will damage the soft close mechanism.

Pull the seat and/or lid towards you slightly until it reaches the point at which it will fall under its own weight, then release.

Do not stand on the toilet seat.

Cleaning

To maintain the surface of your product, wipe with a clean damp cloth and wipe dry, do not use any abrasive cleaning agents or materials.

It is recommended to wipe the seat and fittings on a regular basis.