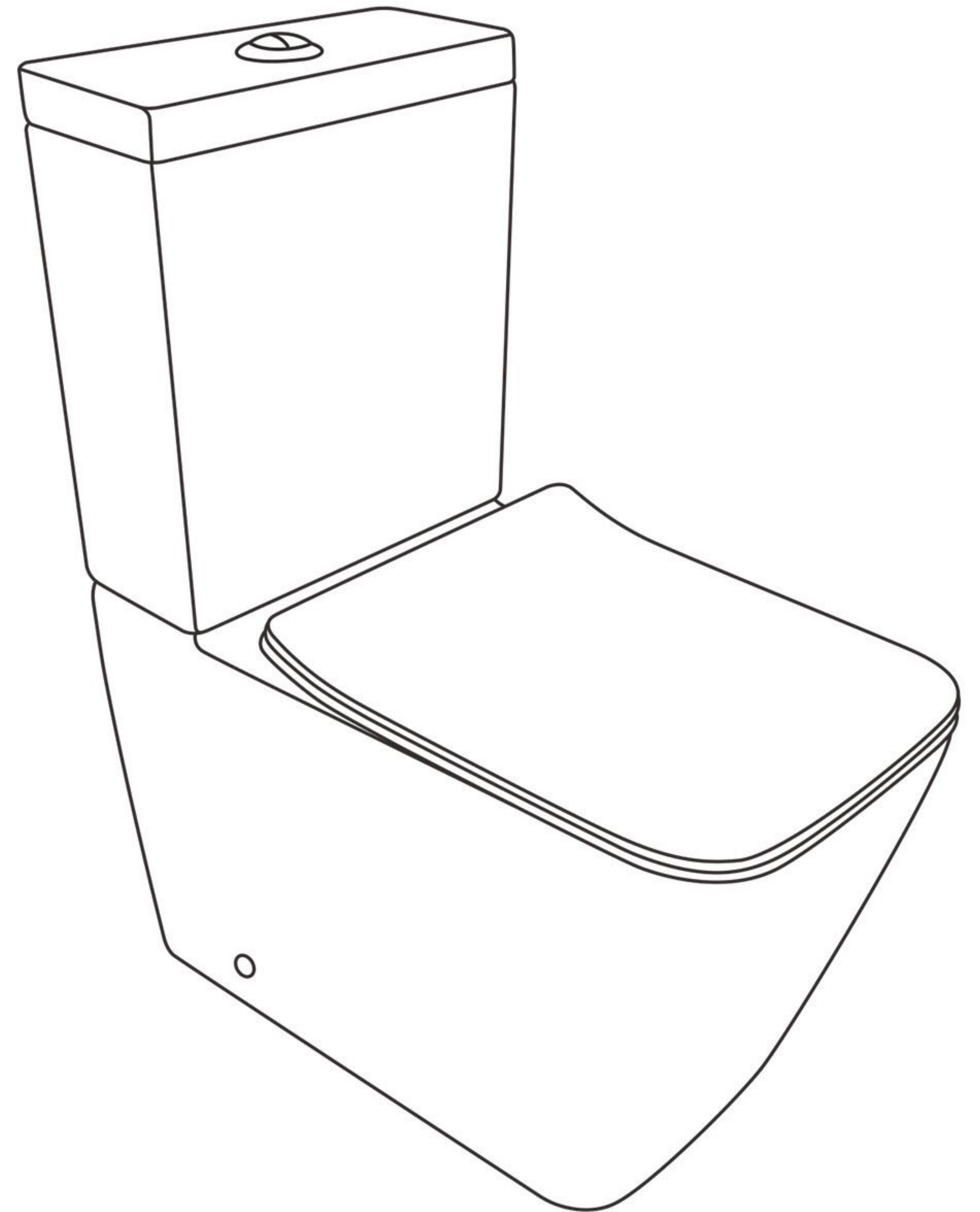
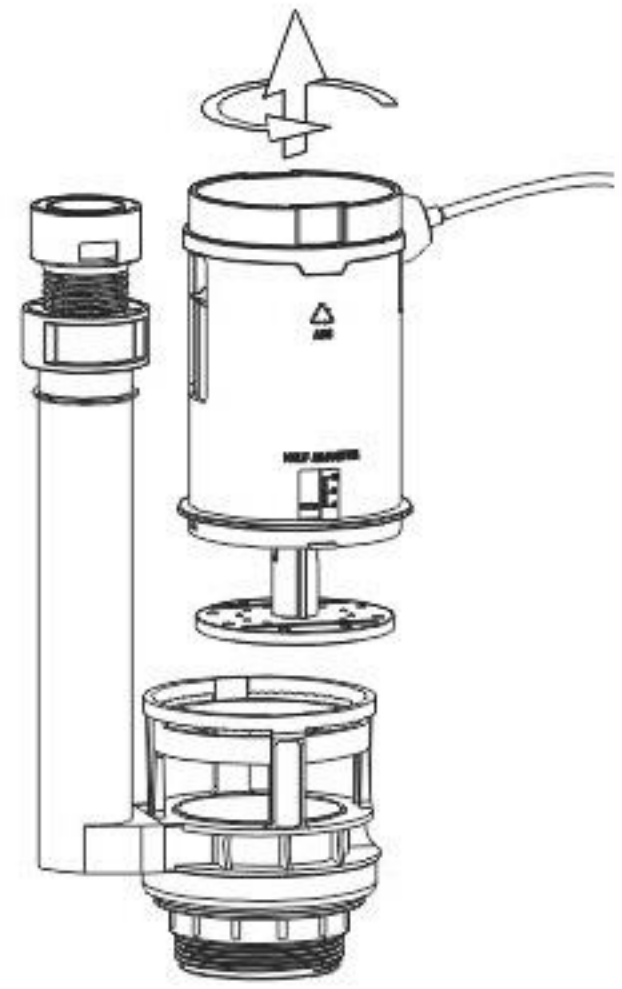


P-trap two pieces toilet

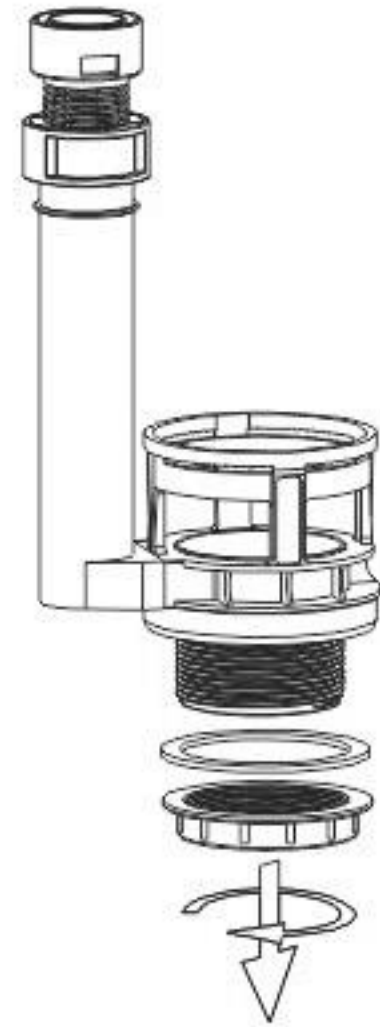


Installation instruction for Dual Flush Valve

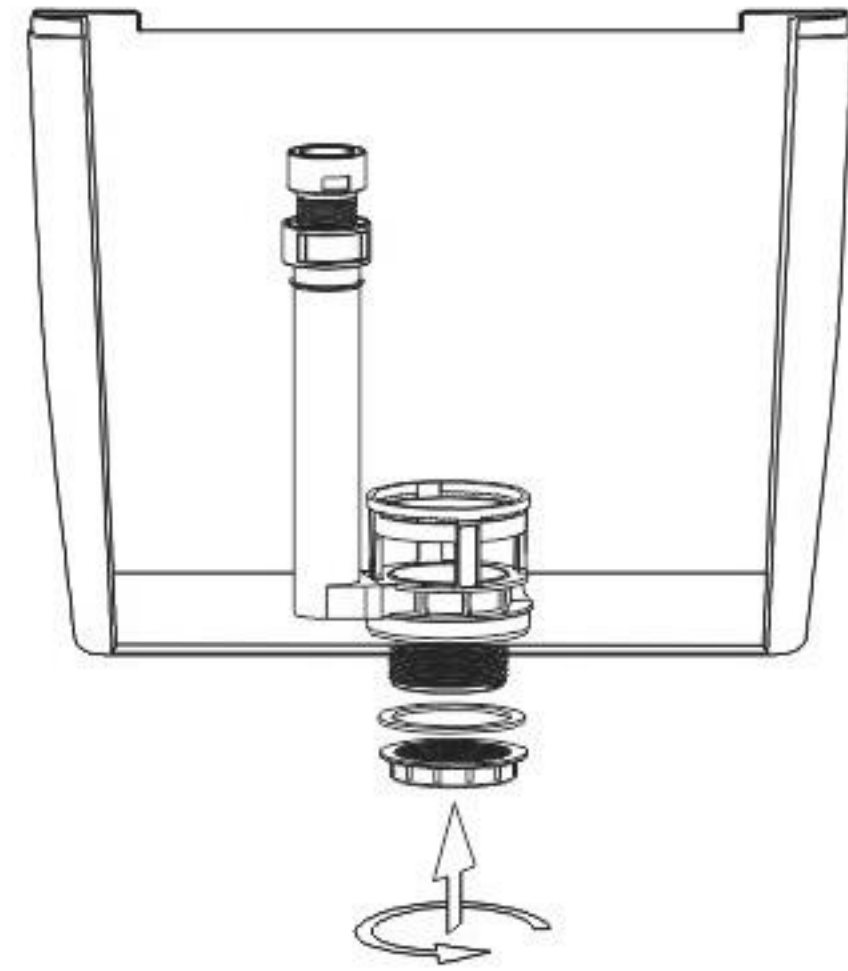
A. Installation Instruction Dual Flush Valve Mechanism



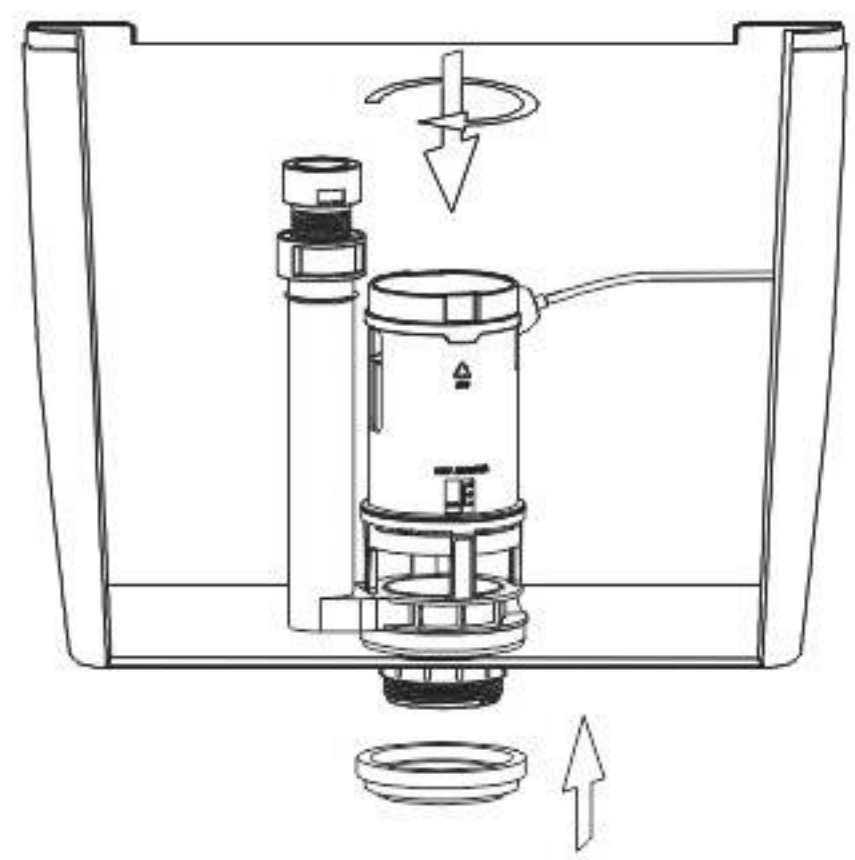
1. Hold the base of the flush valve and rotate the body counterclockwise take it out of base.



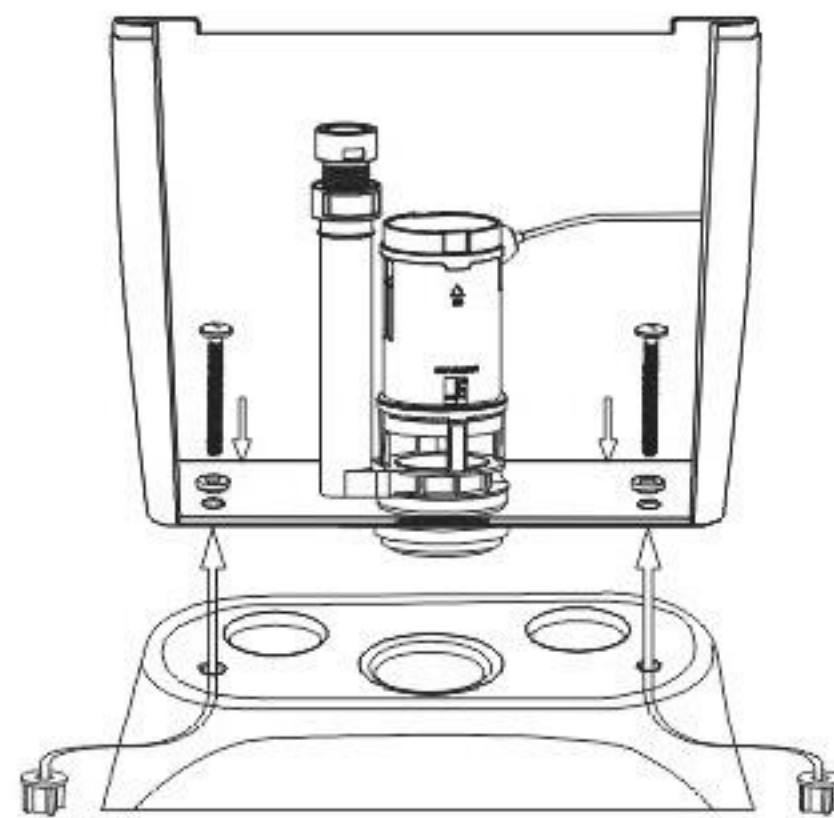
2. Remove the hex nut and nut collar from flush valve base. Don't remove the seal !!!



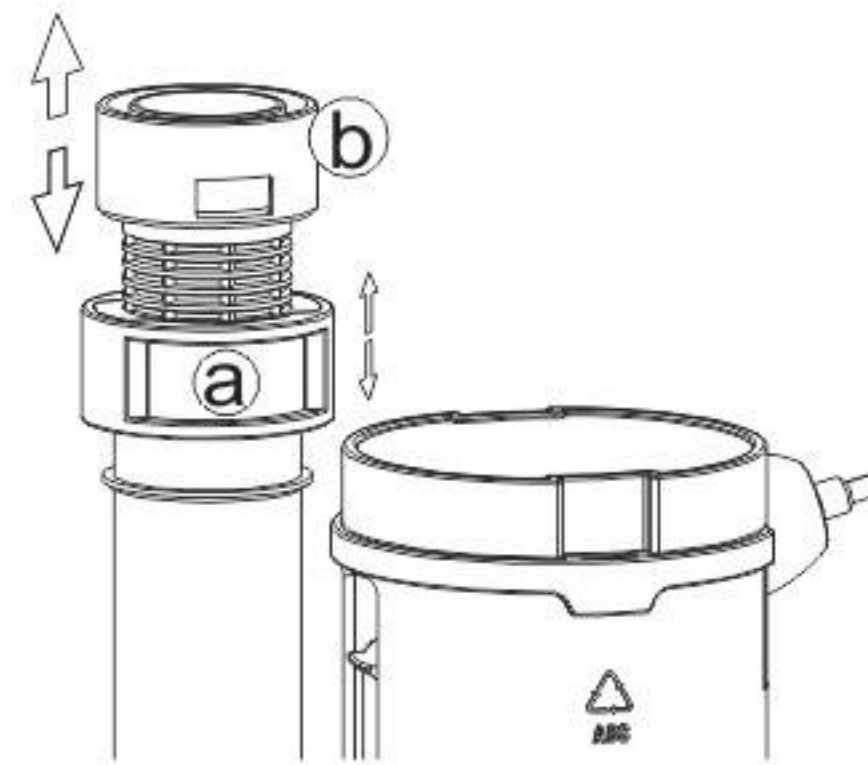
3. Insert the flush valve's base into the water tank. Screw on the nut collar and hex nut properly.



4. Take the body of flush valve and set it into the base and lock in place by rotating it clockwise. Then insert the tank to bowl rubber gasket on to the flush valve's outlet bottom.

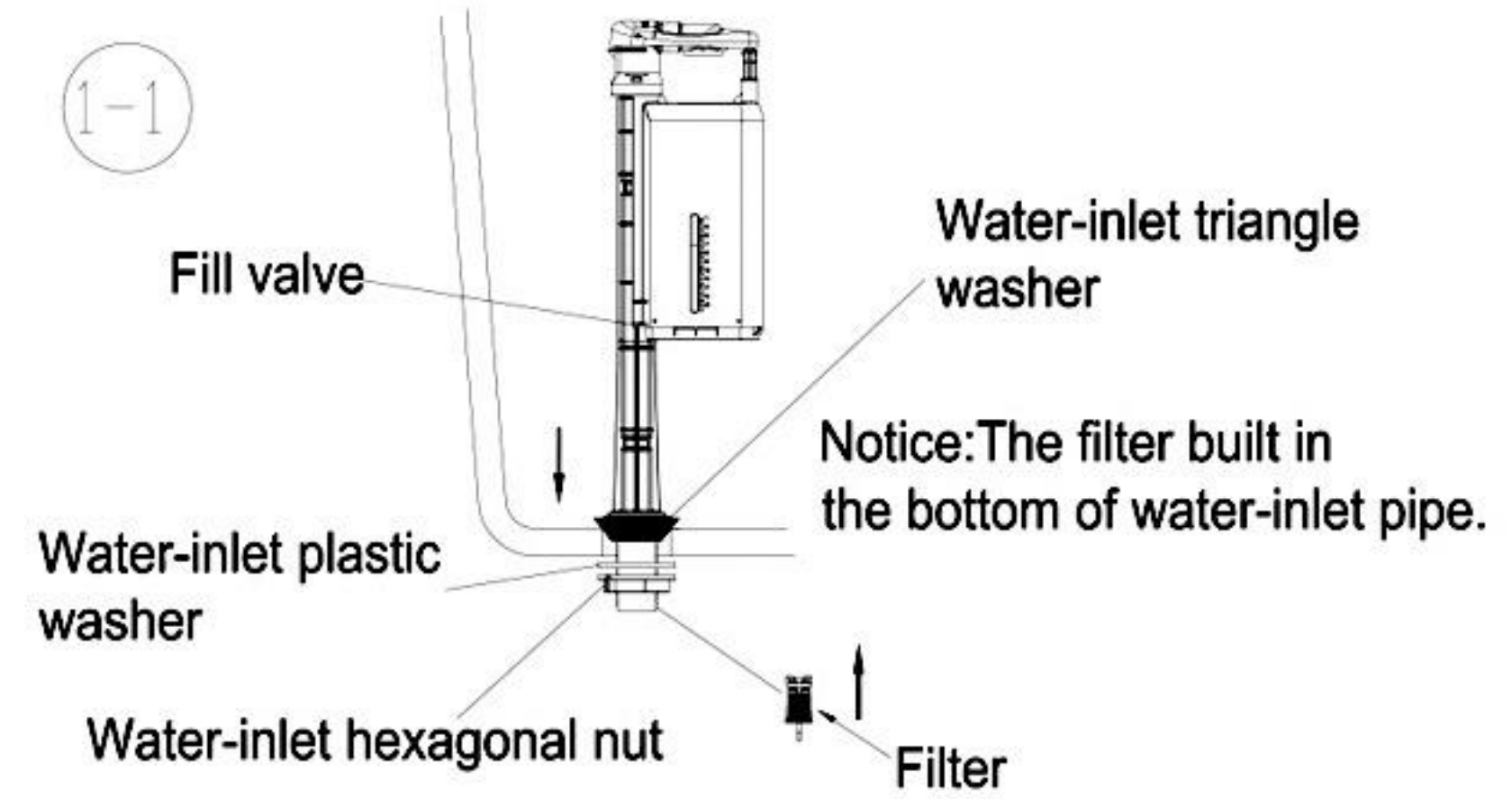


5. Fasten the tank to bowl with one pair of plastic or stainless steel bolts. Make sure bolts have the black rubber washer under the bolt's head.

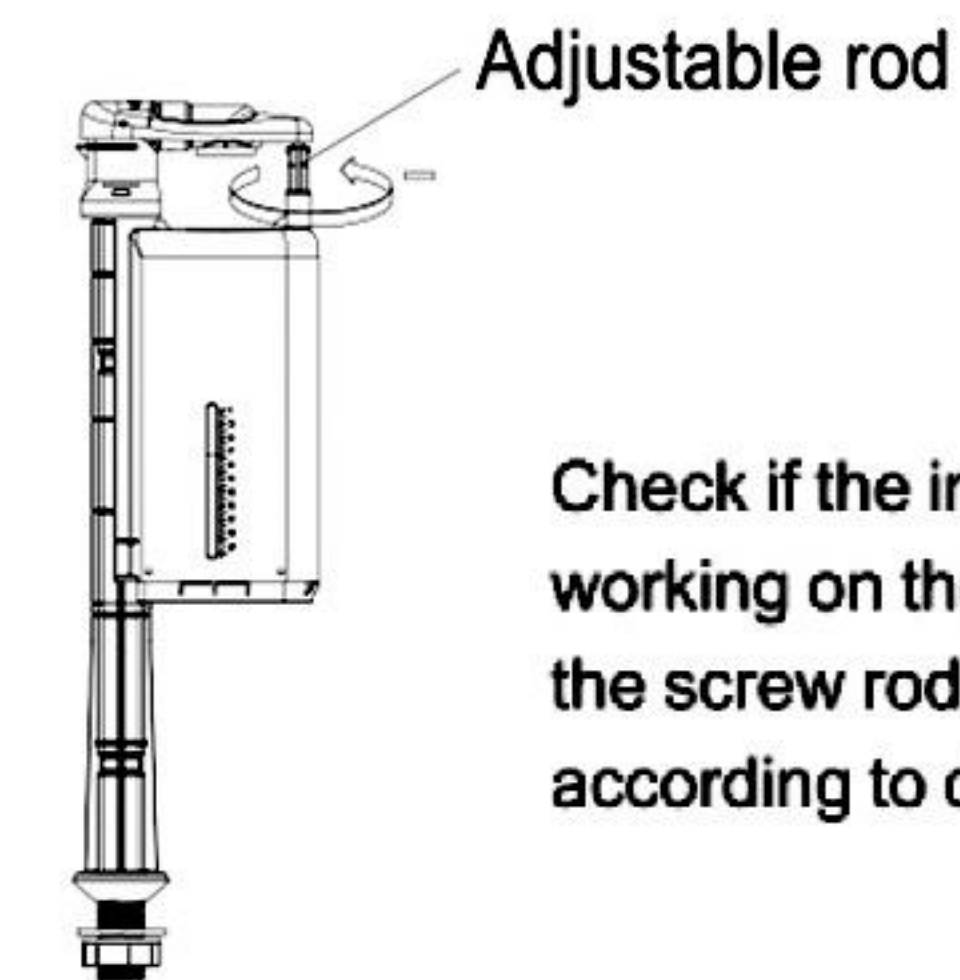


6. To adjust the height of the overflow pipe, slide the lock (a), then set the desired height of the overflow pipe (b). Put the lock back after.

B. Inlet valve install



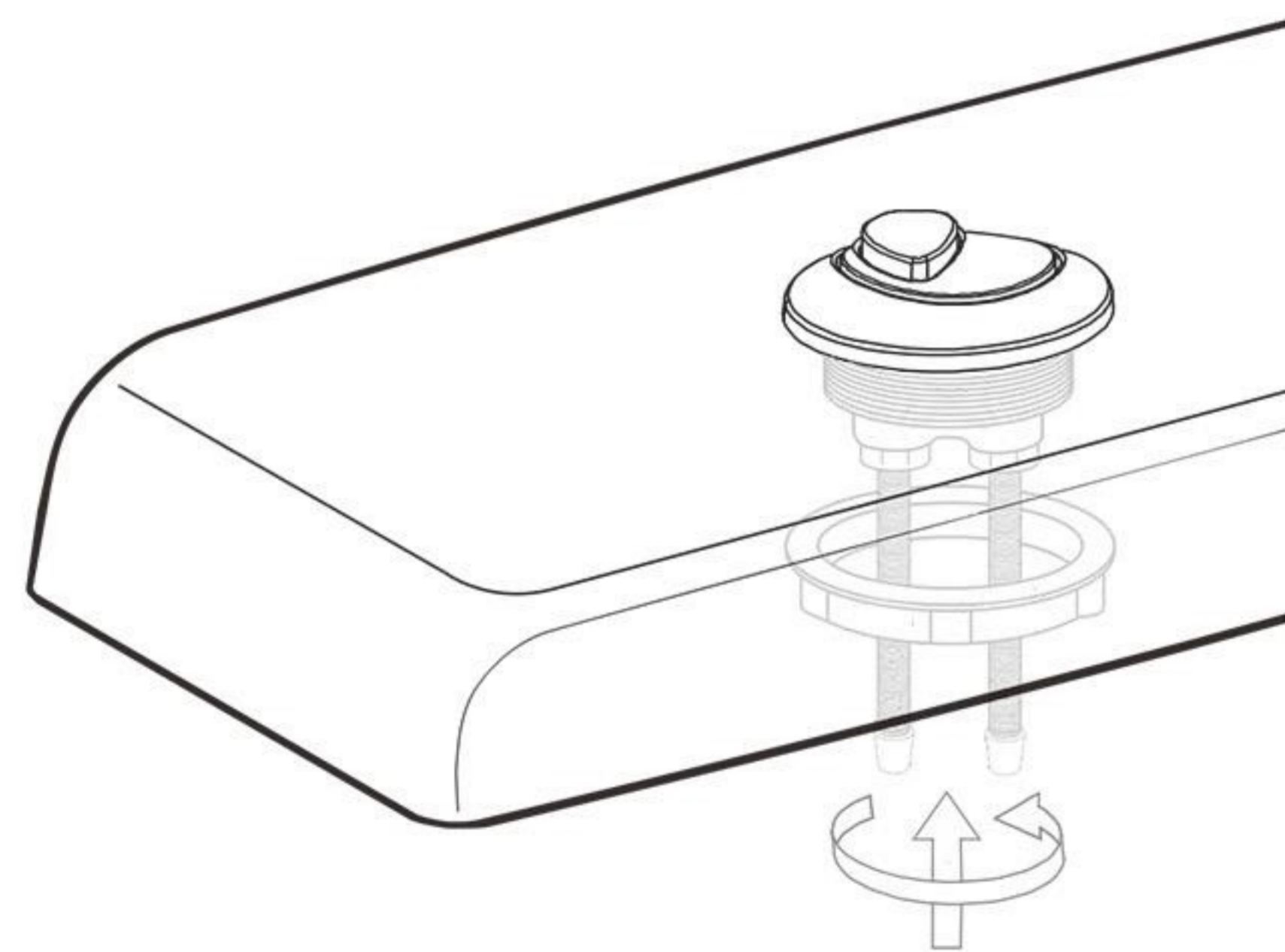
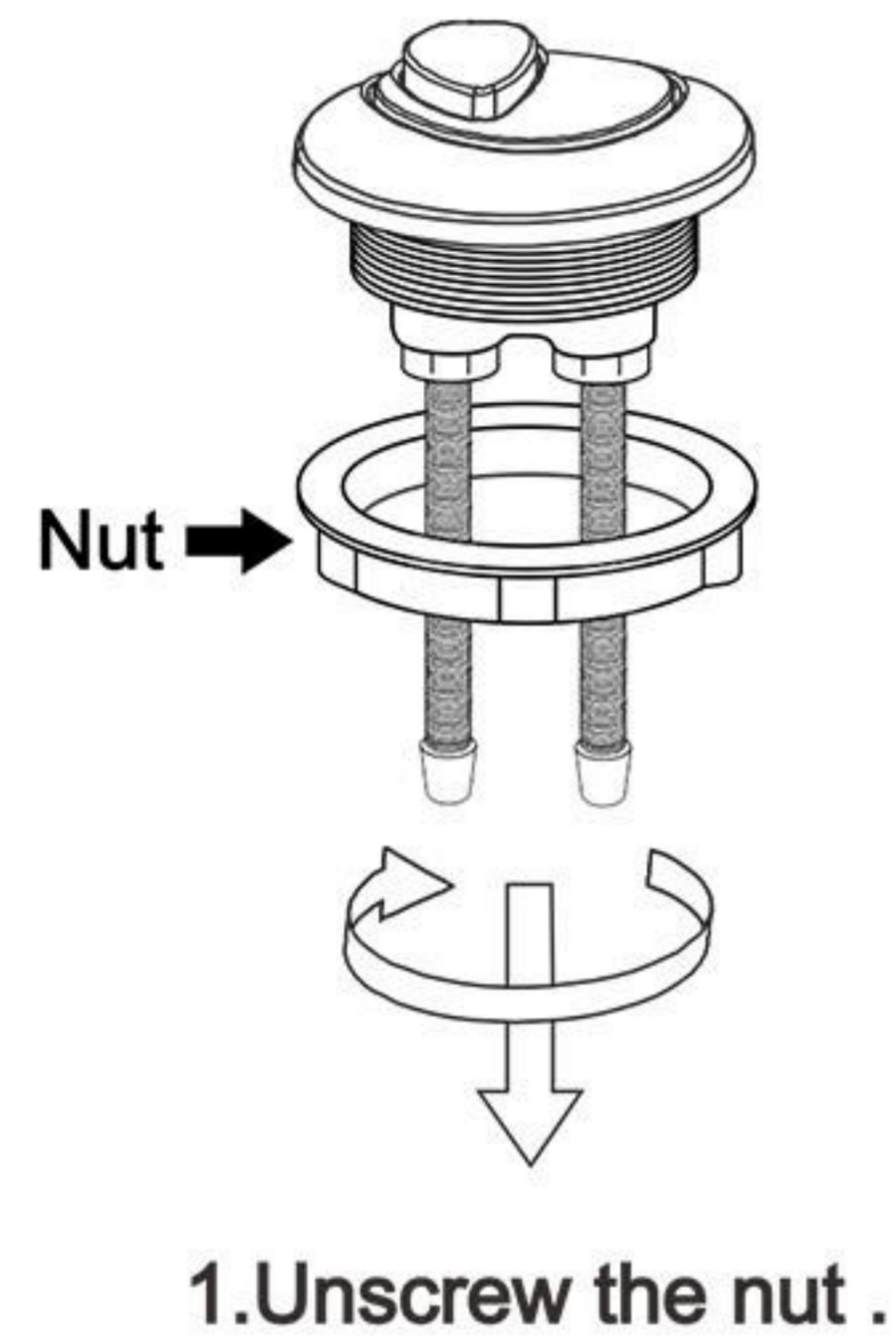
Put fill valve & water-inlet triangle washer insert into water-inlet hole of water tank, then, cover water-inlet plastic washer and hexagonal nut in turn from the bottom of fill valve. Fastening water-inlet hexagonal nut and make a proper adjust according to the size of water tank.



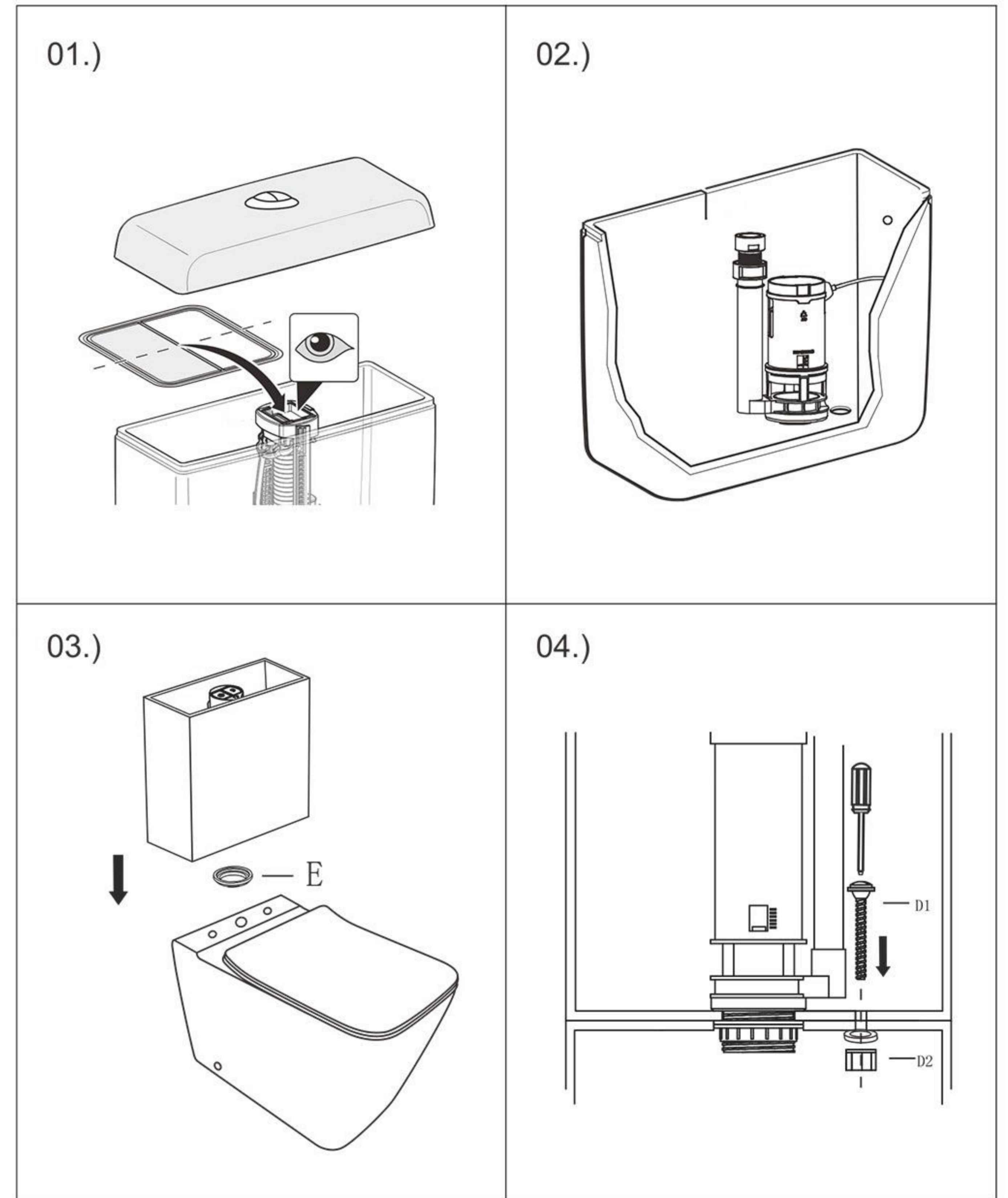
Check if the inlet valve is working on the rails and adjust the screw rod clockwise according to demands.

Flush button installation

Button installation for top ceramic hole

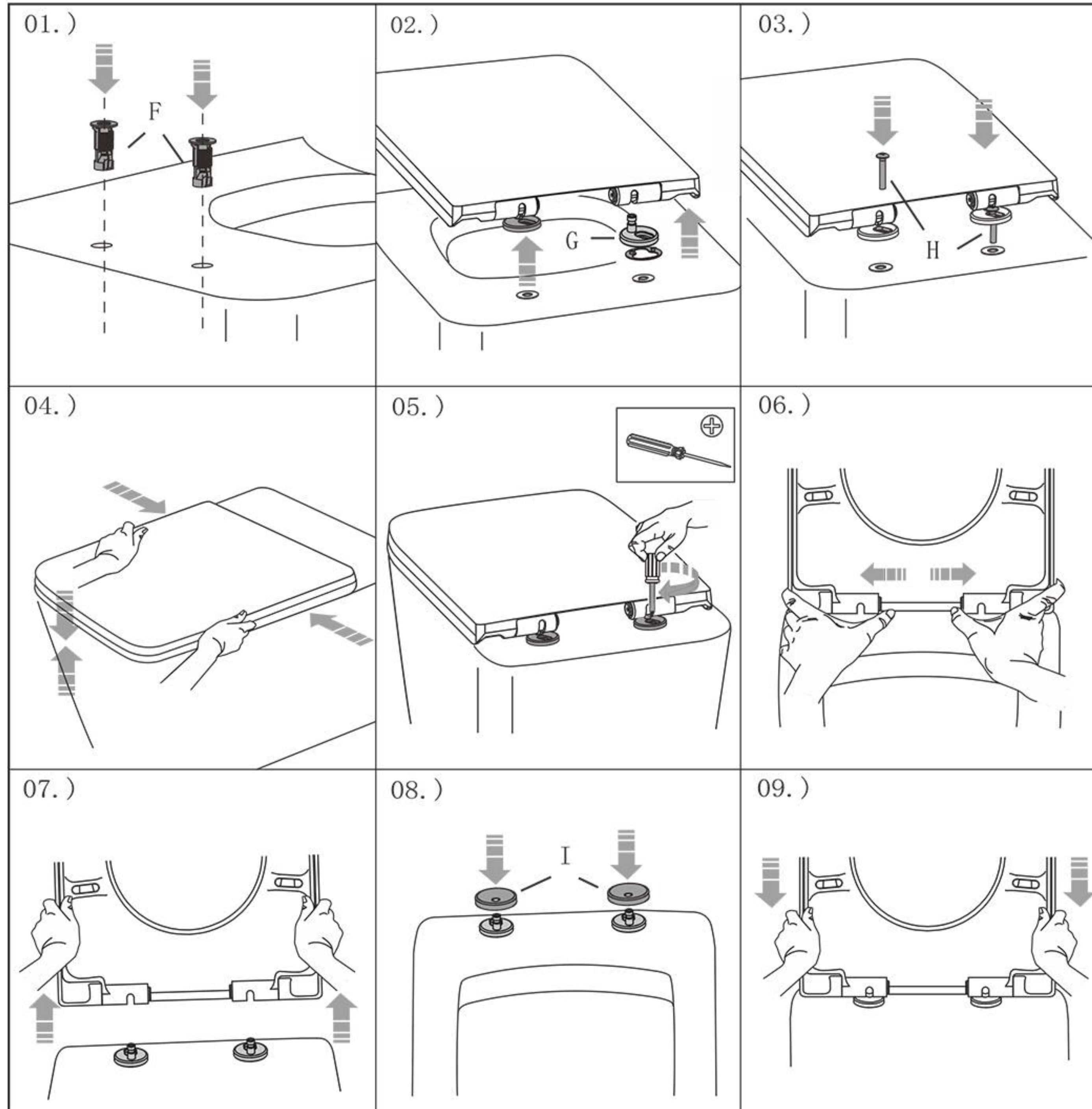


Installation du réservoir d'eau



PAN TO FLOOR FIXING KIT INSTALLATION GUIDE

Installation du siège de toilette

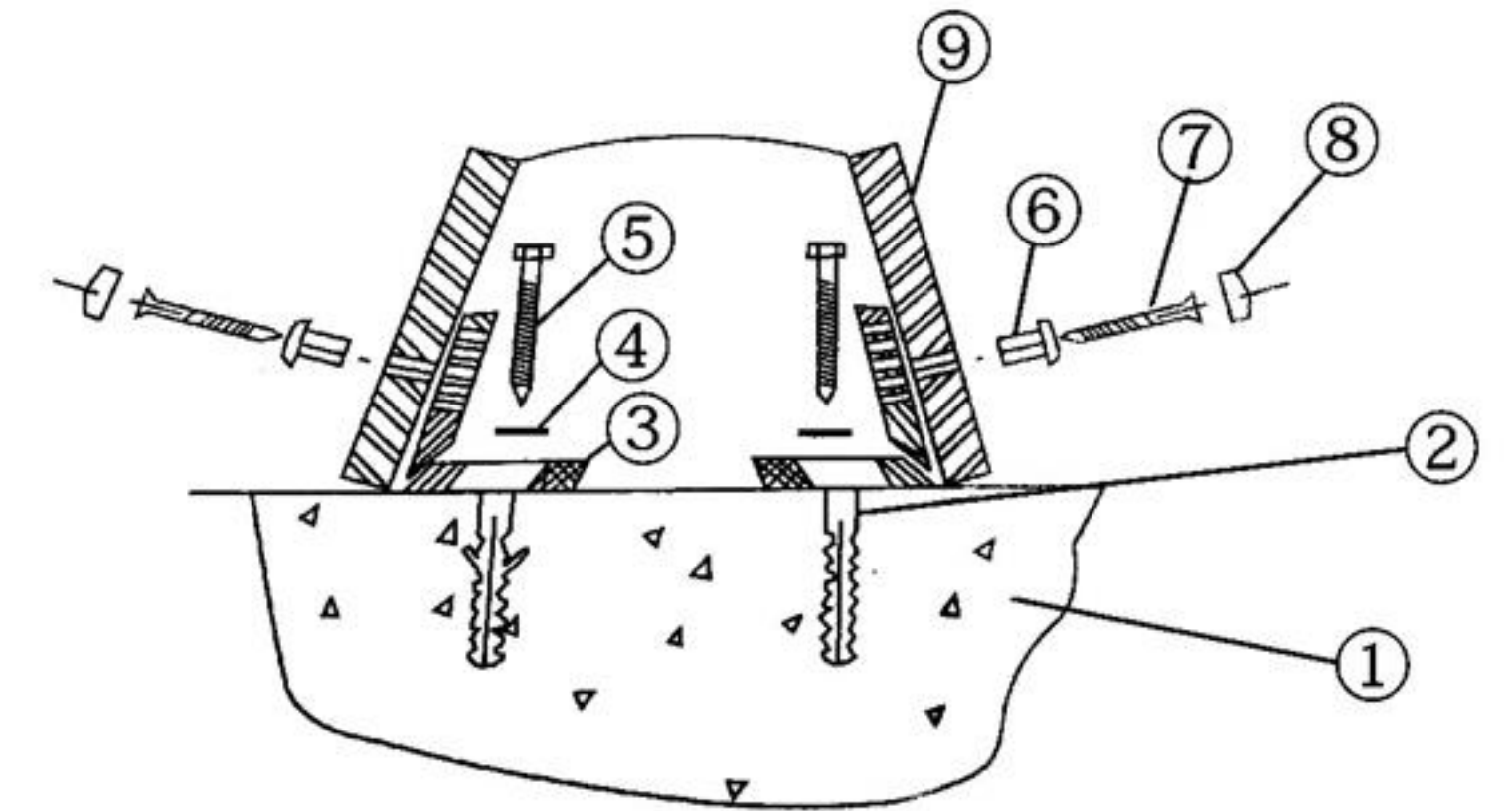


Please read these instructions carefully prior to starting the installation.

Check the component list to parts to ensure you have a complete set.

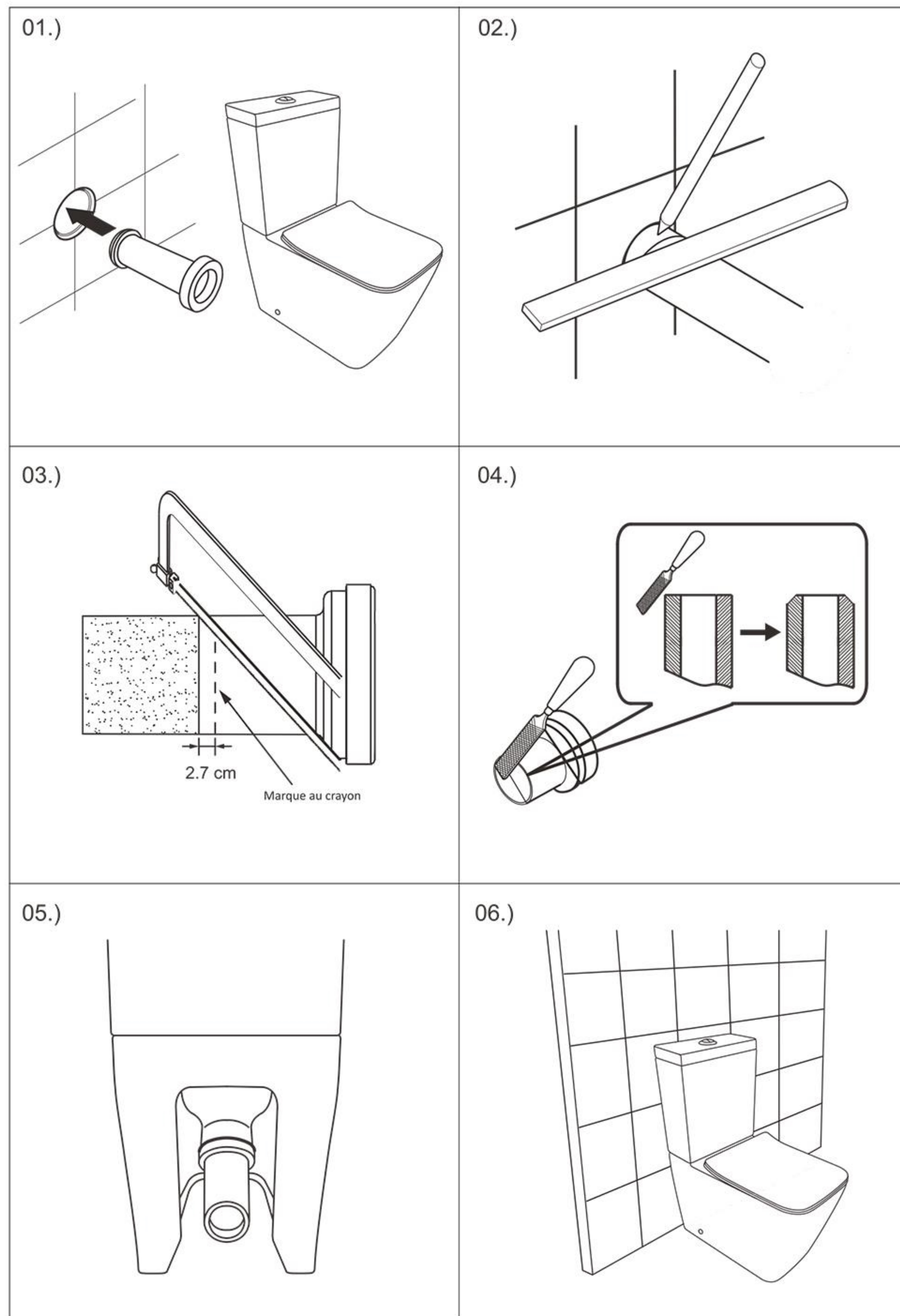
Retain this instruction for future requirements.

Number	Item	Quantity
1	Flat floor	Not included
2	Rawplug	Two
3	Fixing bracket	Two
4	Metal Washer	Two
5	Floor fixing screw 68mm	Two
6	Screw guide	Two
7	Pan fixing screw 52mm	Two
8	Chrome or White screw cap	Two



1. The toilet and cistern should be installed on a flat clean floor.
2. Once the correct position for the suite has been decided, mark the floor fixing holes, remove suite and drill floor where marked.
3. As shown in figure above insert rawplug (2) into hole in the floor, put the fixing bracket (3) and the metal washer (4) over the hole and tighten using the screw (5).
4. Place the suite over the fixing bracket and line up with the pan anchor holes, insert screw guide (6) into anchor holes, using pan fixing screw (7) insert into screw guide (6) and tighten onto fixing bracket (3). Do not over tighten as this could cause damage to the pan.
5. Place chrome or white screw cap (8) onto pan fixing screw (7), press firmly.
6. After installation, please check the suite is firmly in place.

Installation pour la conduite d'eau (horizontal)



Installation de la base de la toilette

