

# Markwik 21+ Panel Mounted Thermostatic Basin Mixer, Sequential lever with Removable Spout

## ILLUSTRATED

**A6682** (TB H2A) Markwik 21+ panel mounted thermostatic basin mixer, single sequential lever, demountable with detachable spout

## OPTIONS

**A6899** Markwik 21+ purging kit for panel mounted thermostatic mixers

**A6255** Inlet protection caps for prolonged demount

**A6252** (TB H6) 100mm short projection spout

## ILLUSTRATED PRODUCT DETAILS

### Weights

**A6682** 3.60 KG

### Finishes

**A6682**  Chrome (AA)

### Materials

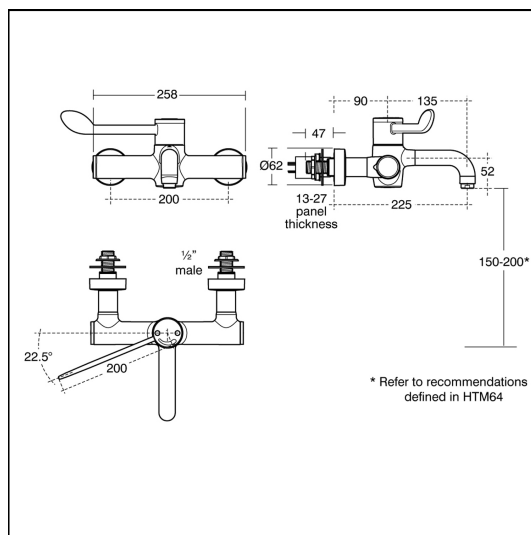
**A6682** Chrome Plated Brass

### Standards

HTM 04-01 supplement D08, HBN 00-10, TMV3, WRAS

### Special Notes

Minimum 0.6 bar pressure, regulated flow to a maximum of 10 litres per minute. A separate purging kit is available to facilitate installation flushing and water sampling.



## ACCREDITATIONS



1704021

## FEATURES

