

TECHNICAL DATA SHEET

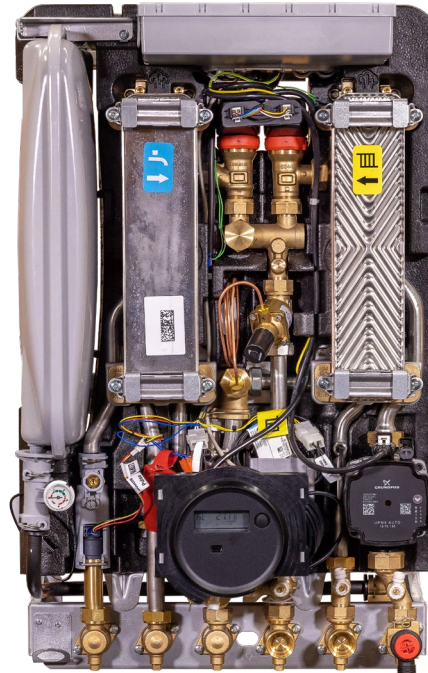
TECHNICAL DATA SHEET COM 119 (05/2024)



BOSCH

PRODUCT: Flow 8500 40 Heat interface unit

The Flow 8500 heat interface unit features a twin-plate heat exchanger design, enabling indirect heat transfer. Flow 8500 40 offers DHW flowrates up to 15 l/min. All models offer 15 kW of central heating output and come with the option of a pre-fitted heat meter. The Flow 8500's versatility is further enhanced by the availability of various optional accessories, making it suitable for multiple situations.



- The Flow 8500 HIU product line includes models 40, 50, and 60
- BESA 2023 registered products
- Meets multiple VVART best practices*
- Model variants available with or without heat meter
- DPCV included with all models
- Central heating capacity up to 15 kW
- Fast acting electronic control including return temperature limiter function
- Adapts for optimal performance in varying primary flow conditions
- Maximum differential pressure of 4.5bar
- Diehl Sharky-775 Ultrasonic, compact heat meter
- Available with 22mm compression or 3/4" flat face primary connections
- Built in, easy to access strainer
- Fully insulated separate EPC inner case enclosing all major components
- Top and bottom connections available via vertical plumb accessory
- Optional internal keyless filling loop
- Optional flushing bypass
- 230VAC auxiliary power for metering & billing equipment
- Easy internal pre-payment cut-off connection
- Optional internal over temp shut off valve for systems where primary flow is 70°C or more
- Electronic summer bypass as standard

* Use QR code to see all VVART best practice results.



Please use QR code for Full BESA 2023 results



Whilst it is always our intention to fully assist, it is essential to recognise that all information given by the company in response to an enquiry of any nature is provided in good faith and based upon the information provided with the enquiry. We recommend that advice should always be checked with your installer or contract partner. Consequently, the company cannot be held responsible for any liability relating to the use or repetition of such information or part thereof. In addition, whilst making every reasonable effort to monitor the performance and quality of our supply, installation, and service network, we do not accept responsibility for the workmanship or operation of any third-party company that the company may have promoted either in conversation, e-mail, or other communication. Similarly, the views and opinions expressed in communication with individuals within the company may not reflect that of the business as a whole. You can find this, and additional information on the Bosch commercial website at: www.bosch-thermotechnology.com/gb/en/commercial-industrial/home

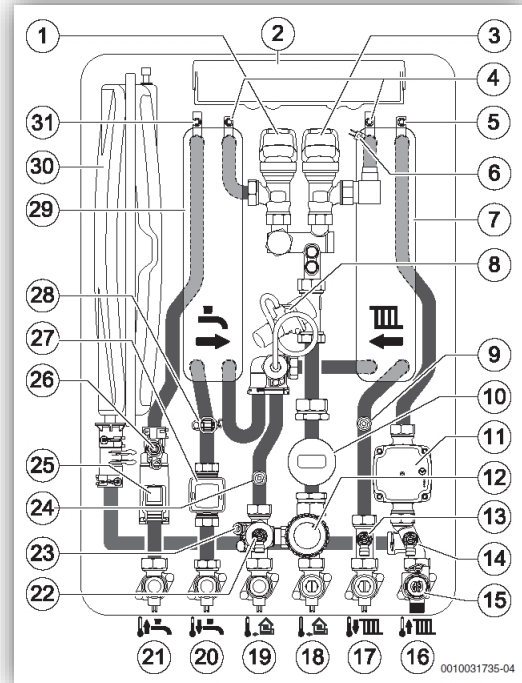
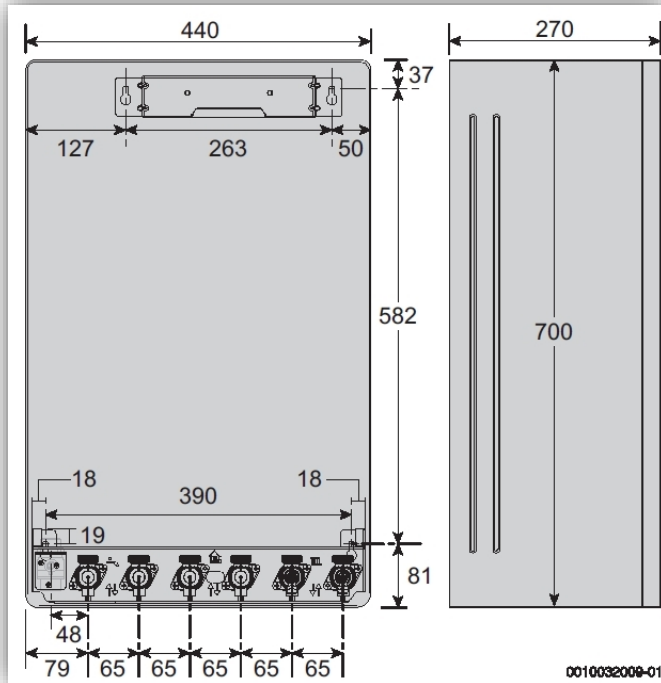
TECHNICAL DATA SHEET

TECHNICAL DATA SHEET COM 119 (05/2024)



BOSCH

Flow 8500 40 Product dimensions and descriptions:



Example 1 Pre-fix and unit dimensions

Example 2 Component layout

- 1) DHW Control valve
- 2) Control unit
- 3) Heating control valve
- 4) Primary circuit air vent valve
- 5) Heating circuit air vent valve
- 6) Return temperature sensor NTC for heating circuit (Primary)
- 7) Heating circuit plate heat exchanger (brazed stainless steel)
- 8) Differential pressure control valve (DPCV)
- 9) Flow temperature sensor NTC for heating circuit
- 10) Heat meter (optional)
- 11) Heating circulation pump
- 12) Thermal Bypass (accessory)
- 13) Heating circuit drain valve, Flow
- 14) Heating circuit drain valve, Return
- 15) Heating circuit pressure release valve
- 16) Heating circuit return connection (22mm compression)

- 17) Heating circuit flow connection (22mm compression)
- 18) Primary circuit return connection (22mm compression) *
- 19) Primary circuit flow connection (22mm compression) *
- 20) Domestic hot water connection (22mm compression)
- 21) Cold water connection (22mm compression)
- 22) Primary circuit drain valve and strainer
- 23) Heat meter flow sensor connection (M10x1)
- 24) Flow temperature sensor NTC primary circuit
- 25) Flow turbine and limiter with strainer
- 26) DHW pressure-relief valve
- 27) Over temp shut off valve (Option) **
- 28) NTC temperature sensor DHW
- 29) DHW plate heat exchanger (brazed stainless steel)
- 30) Expansion vessel
- 31) DHW air vent valve

* 3/4" Flat face option available

** Required if primary flow temperature is 70°C or greater

Whilst it is always our intention to fully assist, it is essential to recognise that all information given by the company in response to an enquiry of any nature is provided in good faith and based upon the information provided with the enquiry. We recommend that advice should always be checked with your installer or contract partner. Consequently, the company cannot be held responsible for any liability relating to the use or repetition of such information or part thereof. In addition, whilst making every reasonable effort to monitor the performance and quality of our supply, installation, and service network, we do not accept responsibility for the workmanship or operation of any third-party company that the company may have promoted either in conversation, e-mail, or other communication. Similarly, the views and opinions expressed in communication with individuals within the company may not reflect that of the business as a whole. You can find this, and additional information on the Bosch commercial website at: www.bosch-thermotechnology.com/gb/en/commercial-industrial/home

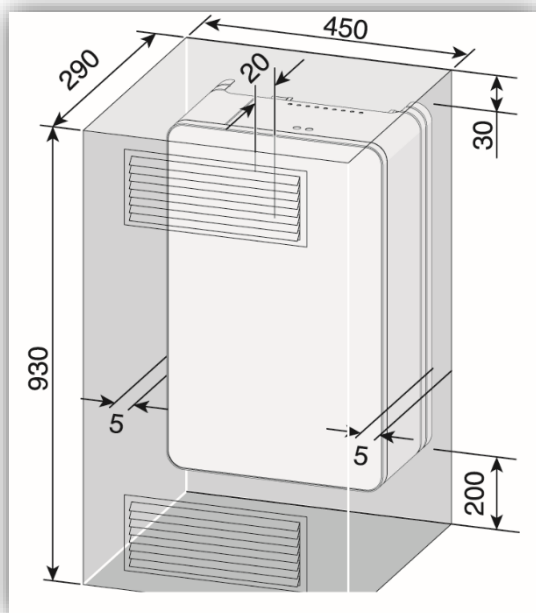
TECHNICAL DATA SHEET

TECHNICAL DATA SHEET COM 119 (05/2024)

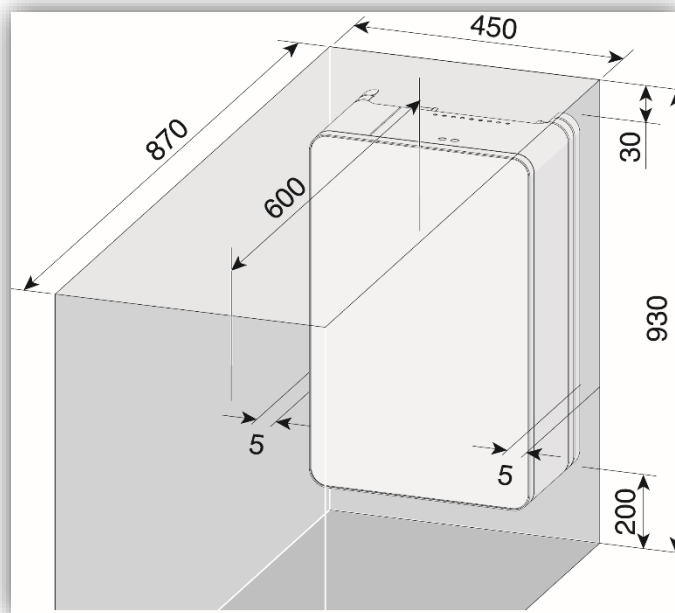


BOSCH

Flow 8500 40 clearances & ventilation:



Example 3 Minimum product clearances & ventilation



Example 4 Maintenance clearances

- Temperature within a cabinet must not exceed 35°C.
- Provide ventilation openings at the top and bottom of the cabinet that are at least 240cm².
- Minimum maintenance clearance must be 600mm in front of the heat interface unit to allow for any maintenance that may be required.

Flow 8500 Heat meter:



Diehl Sharky 775 Compact energy meter

- Ultrasonic heat meter
- Measuring accuracy EN 1434 MID Class 2
- 3.6 VDC D-cell battery, up to 16 years lifetime
- Wired and wireless M-Bus as standard
- Additional connectivity modules available

Whilst it is always our intention to fully assist, it is essential to recognise that all information given by the company in response to an enquiry of any nature is provided in good faith and based upon the information provided with the enquiry. We recommend that advice should always be checked with your installer or contract partner. Consequently, the company cannot be held responsible for any liability relating to the use or repetition of such information or part thereof. In addition, whilst making every reasonable effort to monitor the performance and quality of our supply, installation, and service network, we do not accept responsibility for the workmanship or operation of any third-party company that the company may have promoted either in conversation, e-mail, or other communication. Similarly, the views and opinions expressed in communication with individuals within the company may not reflect that of the business as a whole. You can find this, and additional information on the Bosch commercial website at: www.bosch-thermotechnology.com/gb/en/commercial-industrial/home

TECHNICAL DATA SHEET

TECHNICAL DATA SHEET COM 119 (05/2024)



BOSCH

Flow 8500 40 Technical Data:

Technical data	Unit	
Minimum inlet pressure to achieve nominal DHW flow rate (with over temp shut off valve)	bar	1.2
Minimum inlet pressure to achieve nominal DHW flow rate (without over temp shut off valve)	bar	0.9
Maximum primary differential pressure with mechanical keep warm bypass	bar	4
Maximum primary differential pressure without mechanical keep warm bypass	bar	4.5
Heating output	kW	0.5 - 15
Maximum flow temperature of primary circuit	°C	90
Maximum flow temperature of heating circuit	°C	70
Maximum DHW temperature	°C	60
Maximum operating pressure	bar	10
pH value range, approx. (heating)	pH	6 – 9.5
Maximum DHW volumetric flow rate	l/min	15
Maximum volumetric flow rate of primary circuit (primary side head <50 kPa)	l/s	0.20
Maximum volumetric flow rate of primary circuit (primary side head <70 kPa)	l/s	0.23
Maximum ambient temperature	°C	35
Expansion vessel size	l	5
Expansion vessel charge	bar	0.75
Electrical	Unit	
Electrical Supply	V / Hz	230 / 50
Appliance protection rating	IP	X4D
Maximum power consumption	W	50
Standby power consumption	W	3.1
Dimensions & Connections	Unit	
Height x width x depth	mm	700 x 440 x 270
Weight (Excluding packaging)	kg	26
Weight (Including packaging)	kg	29
Cold inlet & DHW outlet (Compression)	mm	22
District heating flow & return (Compression) *	mm	22
Secondary heating flow & return (Compression)	mm	22
Pressure release valve	mm	15

* $\frac{3}{4}$ " Flat face option available

Whilst it is always our intention to fully assist, it is essential to recognise that all information given by the company in response to an enquiry of any nature is provided in good faith and based upon the information provided with the enquiry. We recommend that advice should always be checked with your installer or contract partner. Consequently, the company cannot be held responsible for any liability relating to the use or repetition of such information or part thereof. In addition, whilst making every reasonable effort to monitor the performance and quality of our supply, installation, and service network, we do not accept responsibility for the workmanship or operation of any third-party company that the company may have promoted either in conversation, e-mail, or other communication. Similarly, the views and opinions expressed in communication with individuals within the company may not reflect that of the business as a whole. You can find this, and additional information on the Bosch commercial website at: www.bosch-thermotechnology.com/gb/en/commercial-industrial/home

TECHNICAL DATA SHEET

TECHNICAL DATA SHEET COM 119 (05/2024)



BOSCH

Flow 8500 40 Performance Data:

Primary Temperature	DHW Flow rate	Primary flow rate	Primary return temp	Primary pressure drop	Output (kW)
Flow 8500 40 - DHW Temperature 50°C *					
55 °C	9 l/min	12.9 l/min	27 °C	61 kPa	25
55 °C	9.6 l/min	13.3 l/min	27 °C	70 kPa	27
60 °C	9 l/min	9.1 l/min	20 °C	26 kPa	25
60 °C	12 l/min	13.2 l/min	24 °C	67 kPa	33
60 °C	12.1 l/min	13.3 l/min	24 °C	70 kPa	34
70 °C	9 l/min	6.7 l/min	16 °C	15 kPa	25
70 °C	12 l/min	9.0 l/min	17 °C	26 kPa	33
70 °C	15 l/min	11.4 l/min	18 °C	42 kPa	42
80 °C	9 l/min	5.7 l/min	15 °C	12 kPa	25
80 °C	12 l/min	7.6 l/min	16 °C	20 kPa	33
80 °C	15 l/min	9.6 l/min	17 °C	32 kPa	42
Flow 8500 40 - DHW Temperature 55°C *					
60 °C	9 l/min	11.3 l/min	24 °C	42 kPa	28
60 °C	10.6 l/min	13.3 l/min	26 °C	70 kPa	32
70 °C	9 l/min	7.9 l/min	19 °C	20 kPa	28
70 °C	12 l/min	10.8 l/min	21 °C	37 kPa	37
70 °C	15 l/min	13.9 l/min	22 °C	69 kPa	47
80 °C	9 l/min	6.5 l/min	17 °C	15 kPa	28
80 °C	12 l/min	8.9 l/min	19 °C	27 kPa	37
80 °C	15 l/min	11.4 l/min	20 °C	43 kPa	47
80 °C	15.9 l/min	12.0 l/min	21 °C	49 kPa	56
Flow 8500 40 - DHW Temperature 60°C *					
70 °C	9 l/min	10.3 l/min	26 °C	35 kPa	31
70 °C	12 l/min	13.3 l/min	27 °C	70 kPa	42
80 °C	9 l/min	7.7 l/min	20 °C	20 kPa	31
80 °C	12 l/min	10.4 l/min	22 °C	36 kPa	42
80 °C	15 l/min	13.4 l/min	24 °C	70 kPa	52

* DHW setpoints adjustable in 5°C increments between 30°C and 60°C. For further network information on temperatures not mentioned in this table, please contact commercial.industrial@uk.bosch.com

Whilst it is always our intention to fully assist, it is essential to recognise that all information given by the company in response to an enquiry of any nature is provided in good faith and based upon the information provided with the enquiry. We recommend that advice should always be checked with your installer or contract partner. Consequently, the company cannot be held responsible for any liability relating to the use or repetition of such information or part thereof. In addition, whilst making every reasonable effort to monitor the performance and quality of our supply, installation, and service network, we do not accept responsibility for the workmanship or operation of any third-party company that the company may have promoted either in conversation, e-mail, or other communication. Similarly, the views and opinions expressed in communication with individuals within the company may not reflect that of the business as a whole. You can find this, and additional information on the Bosch commercial website at: www.bosch-thermotechnology.com/gb/en/commercial-industrial/home

TECHNICAL DATA SHEET

TECHNICAL DATA SHEET COM 119 (05/2024)



BOSCH

Flow 8500 Optional accessories:



Rear vertical piping



Flushing valve



Summer by-pass



Over temp shut off valve



Keyless filling link



Sense II controller

Product description	Part number	Product description	Part number
Flow 8500 40	7-735-600-739	Security Fixings	7-733-600-281
Flow 8500 40 H ¹⁾	7-735-600-740	Rear vertical piping kit	7-733-600-127
Flow 8500 50	7-735-600-741	Flushing valve (Compression)	7-733-600-133
Flow 8500 50 H ¹⁾	7-735-600-742	Flushing valve (Flat face)	7-733-601-142
Flow 8500 60	7-735-600-743	Summer by-pass (Mechanical)	7-733-600-132
Flow 8500 60 H ¹⁾	7-735-600-744	Keyless filling link	7-716-192-610
Flow 8500 Pre-fix kit (Compression) ²⁾	7-735-600-836	Sense II controller	7-738-111-064
Flow 8500 Pre-fix kit (Flat face) ²⁾	7-735-600-837	Greenstar System Filter Mini	7-733-600-266
Over temp shut off valve ³⁾	7-735-600-808	Greenstar System Filter 22mm	7-733-600-236

¹⁾ With heat meter wired and wireless M-Bus as standard

²⁾ Either compression or flat face pre-fix kit is required per Flow 8500 HIU

³⁾ Required if primary flow temperature is 70°C or greater

Whilst it is always our intention to fully assist, it is essential to recognise that all information given by the company in response to an enquiry of any nature is provided in good faith and based upon the information provided with the enquiry. We recommend that advice should always be checked with your installer or contract partner. Consequently, the company cannot be held responsible for any liability relating to the use or repetition of such information or part thereof. In addition, whilst making every reasonable effort to monitor the performance and quality of our supply, installation, and service network, we do not accept responsibility for the workmanship or operation of any third-party company that the company may have promoted either in conversation, e-mail, or other communication. Similarly, the views and opinions expressed in communication with individuals within the company may not reflect that of the business as a whole. You can find this, and additional information on the Bosch commercial website at: www.bosch-thermotechnology.com/gb/en/commercial-industrial/home