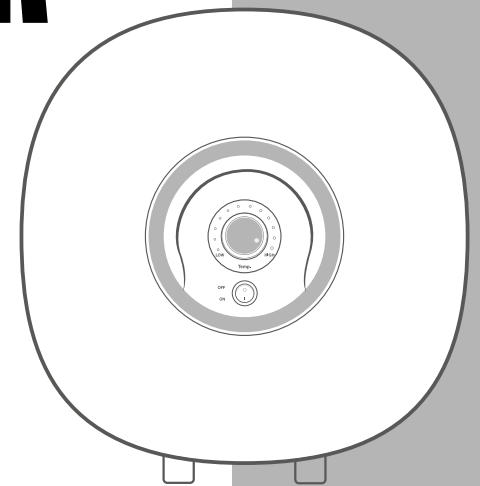
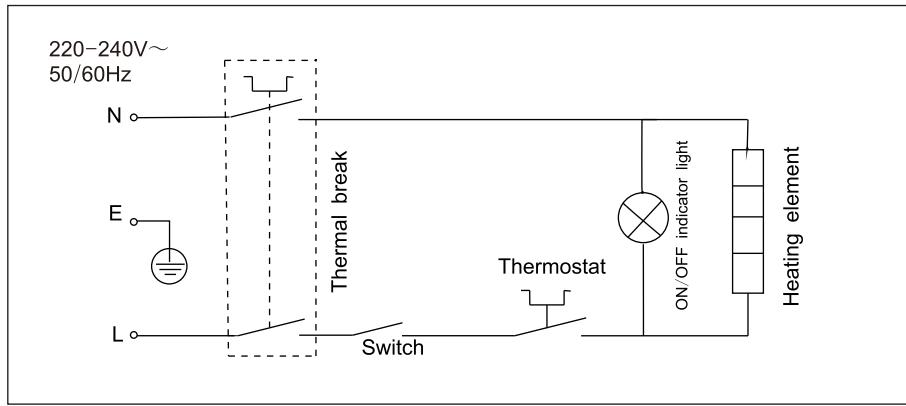


ELECTRIC WATER HEATER



Bravo Series
User's Manual

Wiring Diagram



Drawing 5

Packing list

Table 3

No.	Name	Quantity
1	Safety valve	1 piece
2	User's manual	1 copy
3	Gasket	1 piece
4	Hook	2 piece
5	Nog	2 piece
6	Screw	2 piece
7	Warranty card	1 copy



This product is compliant with EU Directive 2002/96/EC
 The crossed-out wheeled bin symbol shown on the appliance indicates that the product cannot be handled as ordinary household waste at the end of its working life. It must be delivered to the nearest electrical and electronic equipment collection centre. Disposal must be managed in accordance with environmental regulations in force relating to waste disposal. For more detailed information on handling, recovering and recycling this product, please contact the relevant authorities (department of the environment), your household waste collection service, or the shop where you purchased the product.

Dear Customer,

Thank you for choosing this electric water heater featuring advanced design, cutting-edge technology, high reliability and quality construction. Please read this manual carefully and keep it for future reference.

Index

- 1.Introduction----- 1
- 2.General view and main components----- 2
- 3.Technical Data table----- 2
- 4.Installation----- 3
- 5.Operating instructions----- 5
- 6.Safety warnings----- 5
- 7.Maintenance----- 6
- 8.Trouble shooting----- 6
- 9.Wiring diagram----- 7
- 10.Packing list----- 7

Introduction

This is a high-efficiency heat generator for hot water production running on electric power and regulated by an advanced temperature setting system.

Thanks to the integrated POLY insulating technology, the product is equipped with extra thick insulating layer which can effectively prevent the heat loss from the out shell and save the energy.

The heater has a good safety system by using anti over-heating protection, anti over pressure protection and automatic cutting off according to desired temperature.

The product is made from the production line that is fully computer controlled: the special designed silicon powder is well coated on the inner tank surface by electrostatic technology. Process of cooking at 850°C finally makes the inner tank perfectly protected against shock and corrosion.

The extra big magnesium anode also provides a long product life.

The user only has to set the temperature desired. The temperature setting system will provide optimum operation through the time.

The operation indicator can tell the user it is heating or not.

⚠ Appliance not intended for use by persons (including children) with reduced physical, sensory or mental capabilities, or lack of experience and knowledge. Children should be supervised by a person responsible for their safety to ensure that they do not play with the appliance.

Maintenance

1. Since water contains micro-impurity and mineral substance, deposit will occur on the bottom of the inner tank after long term of use, the water heater should be emptied to remove the deposit.
2. Generally, the heater should be cleaned once a year. (If used in zones with low water quality, the cleaning period should be shorter accordingly.)
3. The magnesium anode replacement should be done by customer service.
4. Heater empty procedures:
Close water inlet valve, unscrew safety valve. Water will flow out through cold water inlet till empty. Or close water inlet valve, lift the handle of safety valve. Water will run out from safety valve.
5. For exterior part cleaning of the product, no water spraying directly, clean and dry it with soft cloth lightly.
6. Keep exterior part of the water heater dry and clean.

Trouble shooting

Table2

Fault possible	Cause	Cure
No water comes out	Incorrect connection of pipes	Connect correctly
	Valve blocking	Clean or replace the valve
On/off indicator not working	No power connection	Check electrical connection
	Overheating occurs	Call customer service
	Indicator breaks	
Not enough hot water	Temperature setting knob has not been switched to "High"	Turn the knob towards "High"
	Extremely cold water when using mixer	Adjust mix of hot water and cold water
	Failure of thermostat	Call customer service
	Failure of heating element	

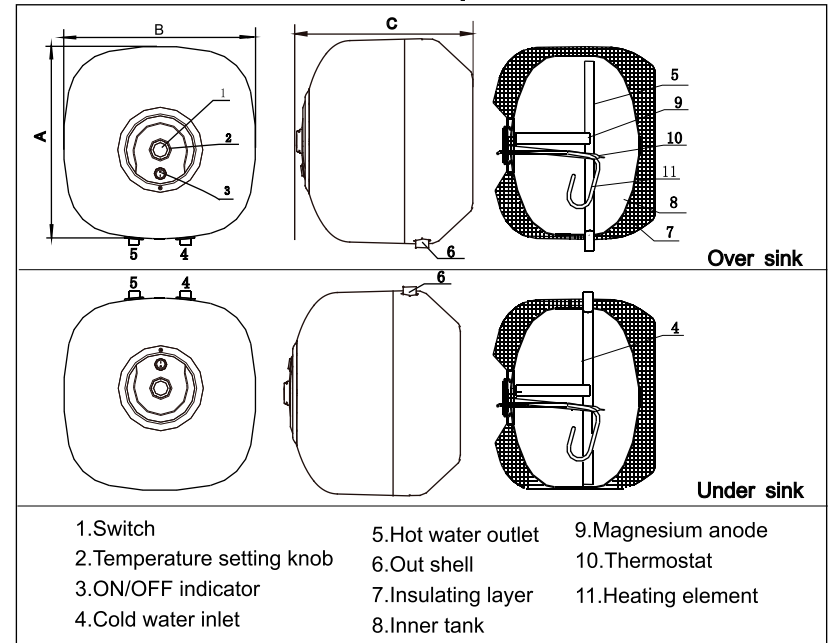
Operating instructions

1. Confirm the heater has been filled with water and electrical connected.
2. Press the switch button and turn the temperature-setting knob to the required temperature. The on/off indicator should light and the heater starts to work.
3. The water heater has automatic constant temperature control function. The heater will shut off if water temperature reaches the setting, while turn on to ensure constant water temperature if water temperature drops down from desired one.

Safety warnings

1. Must use 220-240V a.c. 50/60Hz. The electrical outlet should connect with earth line.
2. The heater should be filled with water before the first use (or the first time of use after maintenance or cleaning). Fill the heater and plug in. It is forbidden to switch on the product when it is not filled.
3. The highest water temperature can reach above 75°C. Initially, feel water temperature with hands and avoid spraying to the body directly.
4. If water heater is installed with a water valve on cold inlet during working period, this valve must be always kept open.
5. During the heating period, it is normal if there is any water drops from pressure release outlet of the safety valve. Don't block up the safety valve.
6. Drainpipe that connects to the pressure release outlet should keep facing downward and open to atmosphere.
7. Only original safety valve from product packing can be used. Never adjust releasing pressure of the safety valve.
8. Any damage, which will occur to the electrical components, must be checked only by authorized technician.
9. During the winter, in case the water heater hasn't been used for a long period, water should be drained off to prevent inner tank freeze. Please remind to shut off the product before drainage.
10. Lift handle of the safety valve at least once per month (release the set screw before lift) and observe if there is any water drained out. If no water is drained out, please inform customer service.

General view and main component



Drawing 1

Technical data table

Table 1

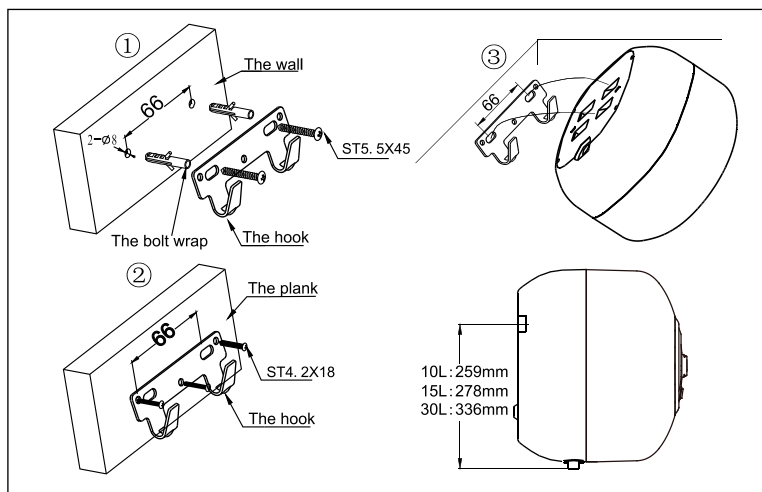
Model		SN10SVE2.0	SN10SVE2.0U	SN15SVE2.5	SN15SVE2.5U	SN30VE3.0
Storage volume (V)	l	10	10	14	14	28
Temperature setting range	°C	35~75				
Max working pressure of inner tank	MPa	0.8				
Power supply		220-240V~50/60Hz				
Rated power	kW	2.0	2.0	2.5	2.5	3.0
Overall dimension (AXBXC)	mm	340X330X300		364X354X337		440x440x397
Installation		Over sink(Under sink only for SN10SVE2.0U and SN15SVE2.5U)				

Installation

Step 1: Product fixation

- ①. If install it on wall, drill two $\phi 8$ mm holes on wall, horizontal distance of two holes shall be 66mm. Insert bolt wraps into the preformed holes, then tightly install the hooks with screws ST5.5 \times 45. (Drawing2)
- ②. If install it on wooden plate, directly fix the hook onto wooden plate with ST4.2 \times 18.
- ③. Lift the water heater, hang and fix it onto hook.

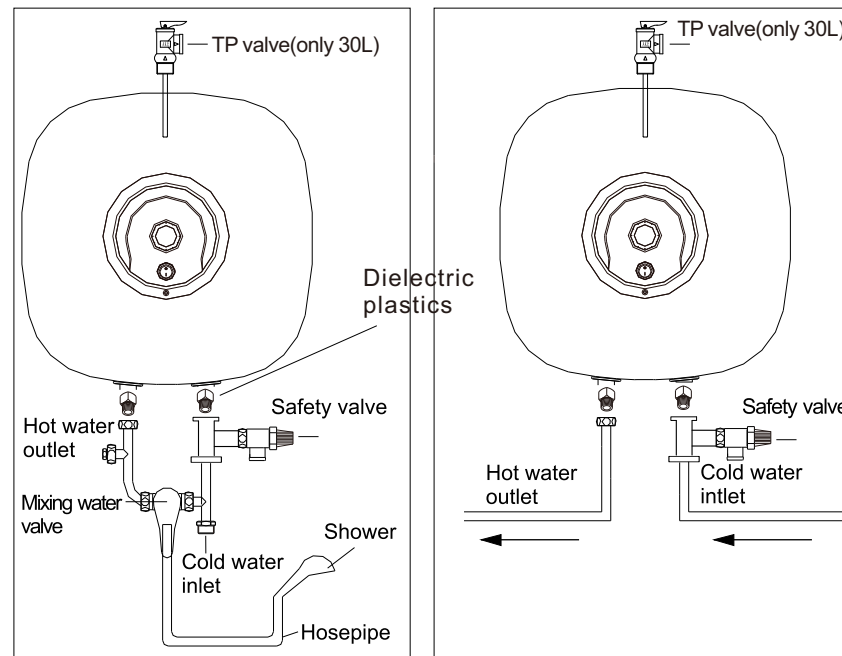
Note: It is strongly recommended to install the heater into a place equipped with a drainage system.



Drawing2

Step 2: Water pipe connection

- ①. Screw safety valve on cold water inlet.
- ②. For multi-point water supply, connect water inlet and outlet pipe to the right reserved places respectively. (Drawing 3)
- ③. For filling the product, after having completed the water connection, open any hot water tap then open the general water tap (if using mixer turn the handle towards hot position up to the maximum). After few minutes, water will start to run out from the hot water tap and this means that the tank is filled. Close the hot water tap.
- ④. Check every joint in order to make sure no water leakage.



Drawing3

Drawing4

- Note: ①. Water inlet and outlet pipe should be made by material whose pressure resistance should be over 0.8MPa and temperature resistance over 100 $^{\circ}$ C. It is forbidden to use any pipe with pressure and temperature resistance lower than required.
- ②. Water inlet and outlet are distinguished clearly. The blue colour denotes cold-water inlet while the red one denotes hot outlet. The middle one is the drainage outlet.

Step 3: Power connection

- ①. Please before electrical connections check that the net provide a voltage of 220-240 in AC with a frequency of 60Hz or 50Hz.
- ②. The product is supplied with a cable already connected with electrical components. Use an appropriate plug for connecting to the electrical network or connect directly to the network through the wire. It is strongly recommended to install an external switcher for cutting off power.
- ③. Please pay attention that the water heater must be connected with a reliable earth connection. It is recommended to install qualified earth leakage breaker in the loop.