

R2 SHXRR C

REGENCY Shower Range Regency2 Thermostatic Surface Mounted Dual Control Shower Valve with Rigid Riser Chrome



Specification

Finish/Colour:	Chrome Plated
Main Construction Material:	Brass
No of Controls:	2
Shower Type:	Exposed Thermostatic
Shower Head Type:	Fixed Head
Valve/Cartridge Type:	Thermostatic
Maximum Hot Water Supply Temperature °C:	65
Maximum Static Pressure: (bar)	10
Plumbing System Suitability:	Suitable for all plumbing systems
Minimum Dynamic Pressure:	0.1 Bar
Maximum Dynamic Pressure:	5.0 Bar
Connection Inlet:	15mm Compression Elbows
Connection Outlet:	G 1/2"

Features:

- 15mm inlet connections
- Easy replacement with adjustable inlets so you can use on existing pipework centres between 110mm and 155mm
- Thermostatic cartridge with preset temperature stop at 42°C
- TMV2 thermostatic control for a higher level of performance and protection
- Supplied with 1 x 7L/min and 1 x 5L/min flow regulators

Product Certifications:



WRAS Cert. Number: 1904904
WRAS Expiry Date: 30/04/2024



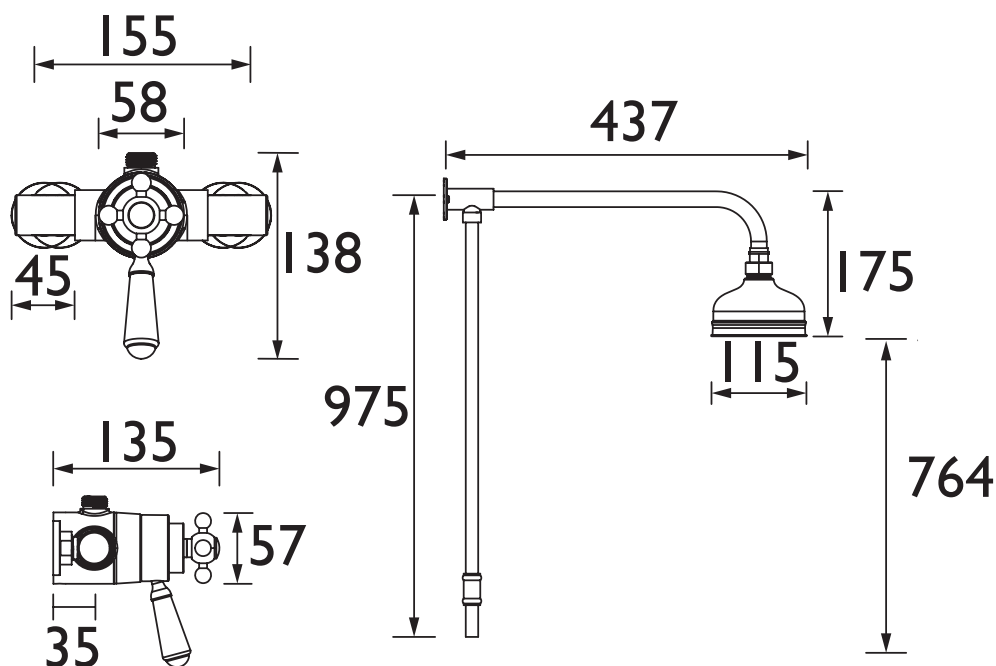
TMV2 Cert. Number: NSF2124/0619
TMV2 Expiry Date: 13/06/2024



For more products, visit our website:
<http://www.bristan.com>



Dimensions (measurements in mm)



Flow Rates (l/min)

System Pressure (bar)	0.2	0.5	1	2	3	5
With Flow Regulators	3.39	5.37	7.6	10.7	13.16	16.9
Without Flow Regulators	7.9	12.49	17.66	24.98	30.59	39.5

TECHNICAL DATA SHEET



BRISTAN

D5

Check out our full range of Showers

Electric Showers

Digital Showers

Mixer Showers

Power Showers

Smart Showers

Shower Towers

From Top Shower Brands

Mira Showers

Aqualisa Showers

Triton Showers

Gainsborough Showers

Shower Pumps can upgrade your showering experience even more

Stuart Turner Shower Pumps

Salamander Shower Pumps

Grundfos Shower Pumps

plumbworld
Big brands, small prices.