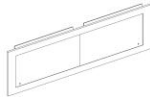



Installation Instructions

Storage Bath Panel

Parts Supplied

Ref	Description	Illustration	Qty
A	Storage Bath Panel		1
B	Key		2

Tools Required (not supplied)

Hand Saw,
Drill,
Screwdriver

Before You Start

- In addition to the items supplied you will need the following materials;
Wall fixings and screws (suitable for securing 25mm battens)
25mm countersunk wood screws
12mm countersunk wood screws
35mm countersunk wood screws (only if fitting side and end panel)
Length of 38mm x 25mm batten (approx 3.3m if fitting side and end panel or 2.3m if fitting front panel only)
- When you are ready to start, make sure you have the right tools to hand.
- These bath panels have adjustable plinths so that they may be fitted to most heights of bath.
- Panels should be sealed on all faces and edges before fitting.

Pre Fitting The Panel

- Carefully remove all contents from the packaging.
- To determine how high the bath panel needs to be, measure from the underside of the bath rim to the floor surface. If your bath requires the panel height to be greater than 500mm it can be increased to 530 mm by adjusting the top plinths.3.(Fig.1)

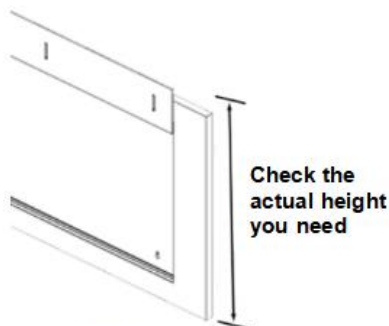
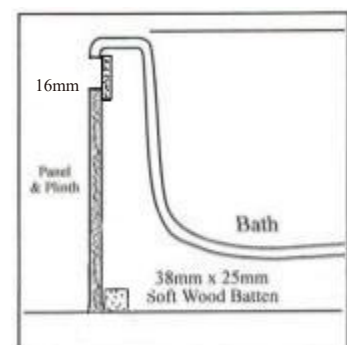


Fig.1

Installing front panel only

- Once the panel has been correctly sized, fix a softwood batten (38mm x 25mm) to the floor. The batten should be the length of the side panel and be inset from the bath edge by 16mm as shown (Fig 2).

Fig. 2



- At both ends of the bath, fix a 300mm long batten vertically to the wall. The batten should be inset from the bath edge by 16mm as shown (Fig 3).

- Put the panel in place and adjust batten positions if necessary, so that the panel fits neatly under the rim of the bath. Drill 3 holes evenly spaced along the bottom edge of front panel, 12mm from the lower edge, and 2 holes at each end of the panel 12mm from the edge, making sure that they align with the batten. Secure the panel to the battens with 25mm wood screws. (Fig 4)

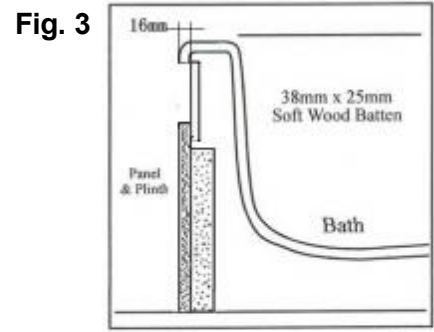


Fig. 3

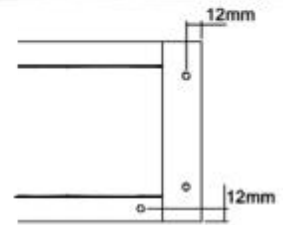


Fig. 4

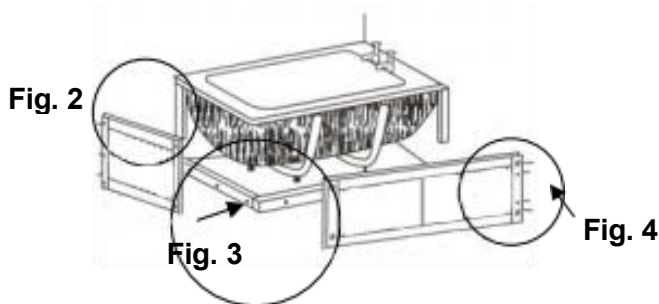


Fig. 2

Fig. 3

Fig. 4

Installing front and end panel

- Fix the front panel as described above, but secure to the wall at one end only. Note that it will be necessary to cutback the floor batten slightly at the “open” end
- Position a batten vertically on the rear edge of the front panel where it will meet the end panel. The batten should be inset 16mm from the panel end, and secured using 35mm wood screws. Fit a softwood batten to the floor and wall as described above, and secure the end panel. (Fig.5)

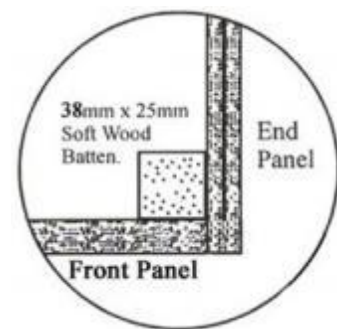


Fig. 5

Care & Use

- Wipe clean with a soft damp cloth. Never use scourers, abrasives or chemical cleaners.
- Keep the panel dry.
- Recommend: Seal the top of the bath panel with silicone.