

Heating Hot water Renewables

# Why Vaillant? Because specification is where we're right at home

ecoTEC sustain boiler range



 **Vaillant** Comfort for your home

# Introducing the new ecoTEC sustain



Vaillant is the leading premium brand for sustainable and responsible system solutions, ensuring your customers experience comfort for their home. Our products have high energy efficiency ratings and low emissions, with an enviable reputation for performance, quality and reliability. This comes from proven German engineering combined with award winning UK manufacturing.

## Introducing the boiler that opens more doors: the new ecoTEC sustain

The ecoTEC sustain is so quiet it has been QuietMark approved. The range of outputs deliver flow rates to suit all properties.

Maintenance of the ecoTEC sustain couldn't be easier, with easy accessibility inside the unit and availability of all spare parts for 15 years. It's the right choice for any specification.



Visit [www.vaillant.co.uk/ecoTECsustain](http://www.vaillant.co.uk/ecoTECsustain) to find out more

# The new ecoTEC sustain benefits at a glance

- **Compact dimensions:**  
720mm (H) x 440mm (W) x 338mm (D)  
For flexible siting options (ecoTEC sustain is the same size as ecoTEC pro)
- **High-quality heat exchanger**  
Stainless steel heat exchanger designed for long life and easy maintenance
- **Removable side panels and push-fit flue system**  
For improved accessibility and ease of installation
- **Modulating low NOx burner and fan**  
Lower emissions to fulfil green credentials
- **Recognised high-efficiency pump**  
Complies with ecodesign. Provides up to 75% less energy consumption compared to standard pumps
- **New condensate trap**  
Removable from the base of the appliance for easy install and maintenance
- **Large illuminated blue on black LED display**  
Easy-to-read boiler display wherever it is sited with simple fault code identification



- **Compatible with aroTHERM air to water heat pump hybrid system**  
Making the perfect entry into renewable systems
- **Familiar footprint and flue position**  
Makes replacing an existing ecoTEC pro with an ecoTEC sustain quicker and easier; compatible with all existing Vaillant flue components
- **ErP A rated product**  
Suitable for both refurbishment and new build with lower running costs to reduce tenant heating bills
- **Controls compatibility**  
Compatible with Vaillant's intelligent range of Boiler Plus compliant controls. Delivers an easy to use and energy efficient system, saving money on energy bills
- **Our team of UK technical advisors are available 6 days a week**  
Giving you top-notch technical boiler advice on the phone when you need it

## Take control

ecoTEC sustain boilers are compatible with the controls below. From a simple room thermostat to the vSMART™ app based control, you will find a control to suit every installation.



### VRT 50

Intelligent digital room thermostat shows the current room temperature

Article number: 0020018265



### VRT 350

Enhanced load compensating programmable room thermostat

Article numbers:

0020124475 (wired)

0020124482 (wireless)



### There's smart, then there's vSMART™



### vSMART™

A vSMART™ control provides wireless heating and hot water control on a smartphone app.

### vSMART article numbers

0020223154 vSMART Combi Pack

0020223158 vSMART System/Open Vent Pack

For more information on Vaillant's range of intelligent controls, please visit: [www.vaillant.co.uk](http://www.vaillant.co.uk)

# Technical data

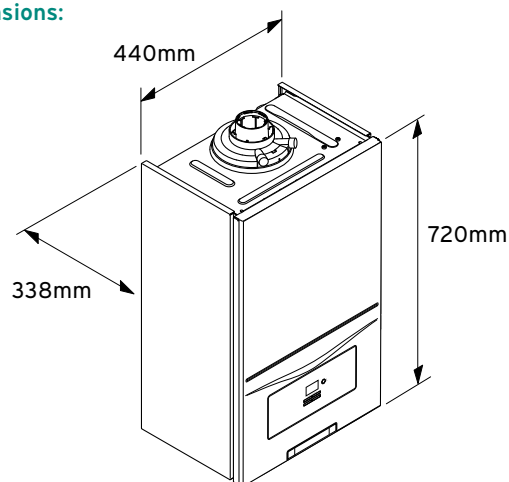
## ecoTEC sustain combination boiler 24, 28 and 34

### Clearances:

Clearance	Unit	ecoTEC sustain
Top (DN 50/100 flue)	mm	165
Top (DN 80/125 flue)	mm	275
Bottom	mm	180
Sides	mm	5

Note: A 500mm front clearance is recommended to allow easy access during inspection and maintenance

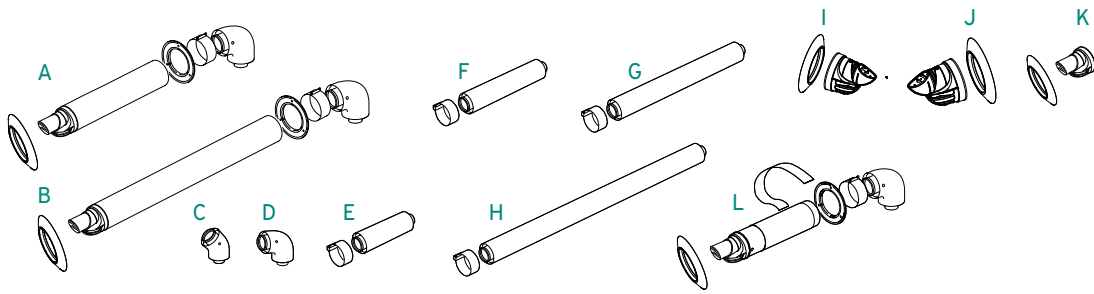
### Dimensions:



Technical data	24kW combi	28kW combi	34kW combi
Article number	0010019980	0010019981	0010019982
Gas Council Number	47-044-79	47-044-80	47-044-81
PCDB Number	18118	18119	18120
Boiler dimensions (HxWxD)	720 x 440 x 338	720 x 440 x 338	720 x 440 x 338
Flue options	Top	Top	Top
Maximum flue length in metres (60/100) h/v	9 / 10	9 / 10	10 / 11
Maximum flue length in metres (80/125) h/v	23 / 23	28 / 28	31 / 31
Boiler lift weight (kg) - dry boiler	30.8	30.8	32.8
Nominal heat output range at 50/30°C (kW)	7.0 - 20.1	8.0 - 20.1	9.1 - 19.9
Nominal heat output range at 80/60°C (kW)	6.4 - 18.5	7.4 - 18.5	8.4 - 18.5
Maximum flow temperature (°C)	80	80	80
Flow temperature range (°C)	30 - 80	30 - 80	30 - 80
Domestic hot water flow rate l/hr (at ΔT = 35K)	9.9	11.6	14.1
Flow temperature factory setting (°C)	75	75	75
PCDB seasonal efficiency (SAP 2012) (%)	89.2	89.1	89.2
ErP efficiency (%)	92	92	92
ErP rating (heating/hot water)	A / A	A / A	A / A
Sound power/ErP decibel rating dB(A)	49	48	43
NOx mg/kWh (En 15502-2-1)	32.8	34.2	31.1

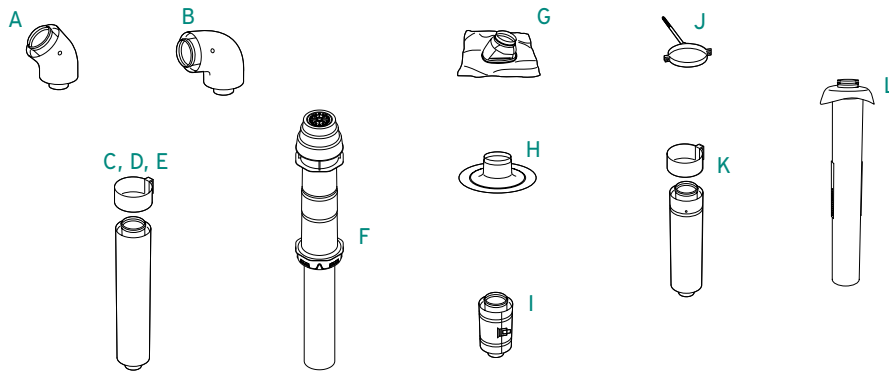
# Flue accessories

## Horizontal flue accessories



Component	Description	Part Number	
		60/100 DN	80/125 DN
A	Standard horizontal air/flue duct with elbow and terminal	0020219517	303209
B	Horizontal air/flue duct with elbow and terminal 1770mm	0020219519	-
C	Bends 45° (pack of 2)	303911	303211
D	Elbow 87°	303910	303210
E	Air/flue duct extension (470mm)	303902	303202
F	Air/flue duct extension (970mm)	303903	303203
G	Air/flue duct extension (1970mm)	303905	303205
H	Air/flue duct extension (4000mm)	0020138174	-
I	Plume deflector horizontal (black)	0020219533	-
J	Plume deflector horizontal (white)	0020219534	-
K	Black terminal kit for horizontal air/flue duct	0020219537	-
L	Horizontal telescopic air/flue duct with elbow and terminal	0020219518	-

## Vertical flue accessories



Component	Description	Part Number	
		60/100 DN	80/125 DN
A	Bends 45° (pack of 2)	303911	303211
B	Elbow 87°	303910	303210
C	Air/flue duct extension (470mm)	303902	303202
D	Air/flue duct extension (970mm)	303903	303203
E	Air/flue duct extension (1970mm)	303905	303205
F	Vertical air/flue duct and terminal	0020223472	303200
G	Flexible roof sealer	303980	303980
H	Flat roof penetration collar	009056	009056
I	Sliding sleeve	303915	303215
J	Adjustable flue support (pack of 3)	303935	303216
K	Telescopic air/flue duct extension	303906	-
L	Flue terminal for ridge tile	303982	-



## Contacts

### Sales Support

Vaillant products are available to purchase from reputable heating merchants in the UK. To find contact details for your nearest Vaillant representative:

**Telephone: 0345 602 0262**

### Technical Enquiries

For technical assistance:

**Telephone: 0344 693 3133**

**Email: [aftersales@vaillant.co.uk](mailto:aftersales@vaillant.co.uk)**

### General Enquiries

If you have a general enquiry our friendly reception staff will happily point you in the right direction:

**Telephone: 0345 602 2922**

### Training Enquiries

Vaillant provides many different training courses. For more information:




**Telephone: 0345 601 8885**

**Email: [training.enquiriesuk@vaillant-group.com](mailto:training.enquiriesuk@vaillant-group.com)**

### Dedicated state of the art Centres of Excellence

Located in Glasgow, Elland (near Leeds), Belper (near Derby), Cambridge, Farnborough, Bristol and Maidstone, you can rest assured there is a centre never far away from where you are. Our centres have been developed and designed with you in mind, offering spacious facilities, a comfortable and superbly equipped training environment, with plenty of opportunities for hands on experience and product familiarisation.



 Heating  Hot water  Renewables

**Vaillant Group UK Ltd.**

Nottingham Road, Belper, Derbyshire DE56 1JT

Telephone 0345 602 2922

[www.vaillant.co.uk/specifiers](http://www.vaillant.co.uk/specifiers)

[info@vaillant.co.uk](mailto:info@vaillant.co.uk)



Vaillant is working in partnership with National Energy Action to reduce fuel poverty