

ferroli



Electric Water Heaters
For **all kinds** of **application**







THE **FERROLI** RANGE OF **WATER HEATERS**

For more than 60 years, Ferrol Group has developed high performing, energy-efficient heating and air-conditioning units.

We pay meticulous attention to every stage of the design and manufacture of our heating units – and we apply the same care to our water heaters.

Reliable, safe and efficient, they're available in capacities that range from 5 to 100 litres and are suitable for all kinds of application.

Ferrol water heaters bringing our experience to your home



> THE RANGE

Ferrolli water heaters are suitable for all kinds of domestic hot water requirements, large or small.

Our small capacity heaters can be installed wherever there's a 220-240V AC and mains water supply to provide instant hot water from your tap – while our larger, mid-capacity water heaters can cope with all the demands of a larger family home.*

SMALL CAPACITY

Pages 9 – 13

- > 5 – 30 litres
- > Ideal for smaller domestic applications
- > Can be installed in limited spaces.

BLUE FOREVER

Pages 15 – 17

- > Reduces limescale deposits
- > Increases the lifespan of the heater
- > Improves efficiency
- > Maintains high performance for longer.

INSTANTANEOUS

Pages 19 – 20

- > Instant hot water
- > Hidden installation

INSTANT BOILING WATER DISPENSERS

Pages 21 – 22

- > Safe
 - > Hygienic
 - > Efficient
 - > Wall-hung
-

* Subject to services provisions and specified design criteria

> LONG-LASTING AND EFFICIENT IT'S HOW THEY'RE MADE

Our electric water heaters are designed and produced with energy-efficiency, comfort and reliability in mind. We care about the environment and use components that can be recycled wherever possible.

Here's a quick guide to the symbols on your new heater.



EASY TO MAINTAIN

A 5 bolt flange seals the inspection hole, and is easily removed for inspection and maintenance.



HEAT RESISTANT

With an epoxy powder-coated surface, the steel jacket is resistant to heat and UV rays.



RUST-FREE

We use a titanium enamelling process, known as 'Blue Silicon', that gives a glass-like effect to the steel. Completely nickel-free.



INGRESS PROTECTION IPX4

All our water heaters comply with the EN 60335-2-21 Directive. The IP code shows the degree of protection against particulate and water ingress.



TANK WARRANTY

Our tank warranty covers the water tank and its lining. The length of warranty may differ from model to model, so look at your product manual for full conditions.



ELEMENT WARRANTY

Models with Blue Forever heating elements have an extended warranty period. Look at your product manual for the terms and conditions.



TEMPERATURE ADJUSTMENT

Water temperature is simple to adjust – no special tool required.



PREMIUM HEATING ELEMENTS

Our Blue Forever heating element help to reduce limescale and increase the lifespan of the unit.



EXTRA THICK INSULATION

Insulated with thick water-blown CFC-free polyurethane insulation for lower thermal loss.



SHOCK-PROOF CASING

Made from injection moulded ABS, the most outer shell is resistant to high and low temperatures, scratches and cleaning agents.



OPERATING LIGHT

Lights up when the unit is on.



HOT WATER, FASTER

The 'Fast-Hydro' function can reduce heating time by up to 50%. It's ideal for times when you need more hot water, helping to reduce power consumption and increase efficiency.



ON/OFF SWITCH

> THE ELEMENT – AT THE HEART OF THE WATER HEATER

We use four different materials when we produce the elements that power our water heaters. Stainless steel and hyper-conductive copper are the most cost-effective and we use them as standard.

But we also offer high quality Blue Forever elements – they improve performance and reduce limescale build-up which helps to preserve the life of the element.



**FERROLI
PATENT**



BLUE FOREVER

Enamelled with Blue Silicon, the Blue Forever element comes with an extended Ferrolì warranty.

- > Reduces limescale deposits
- > Increases the lifespan of the heater
- > Improves efficiency
- > Maintains high performance for longer.

> LONG TERM TEST

Standard element



> BLUE FOREVER



> HOW MUCH WATER WILL I NEED?





How much water you need is a key factor in helping you choose the right water heater for your home.

Other factors you should consider are: when and how often hot water is needed, the temperature of the inlet water, the average room temperature and the length and insulation of the circuit.

To keep it simple, ask yourself how many times your family will need hot water during the course of a day, either simultaneously or in quick succession and then check the table below to get your litre capacity requirements.

TOP TIPS

- > Use a smaller capacity water heater (15 – 30 litres) near the point of use (a sink or shower for example), and place it in series with a larger unit (80 litres).
- > To save energy, keep the temperature in the main tank at around 40 – 50°C and only raise the temperature when you need to use it. At that point, it will travel to the smaller water heater, giving you the best performance with the least loss of heat.

	DRAW OFF POINTS	CAPACITY (litres)
1		5/10/15
2		30/50
3		80
4		100

Simulation has been calculated considering 6 lt/min withdrawal mixed at 40°C for 6 minutes



SMALL CAPACITY



SMALL CAPACITY WATER HEATERS

Our smaller water heaters can be installed wherever there's access to a water supply and a power source. They can sit above the sink or below.

BRAVO

> 10 / 15 / 30

NOVO

> 5 / 10



SMALL CAPACITY

> **SMALL CAPACITY WATER HEATERS** – *HOW TO INSTALL*

Mini water heaters can either be a standalone option or installed as part of a full domestic water heating system.

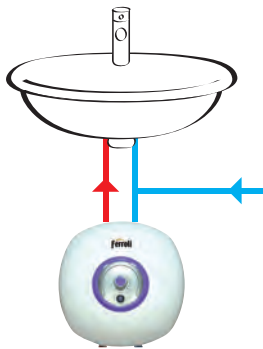


STANDALONE

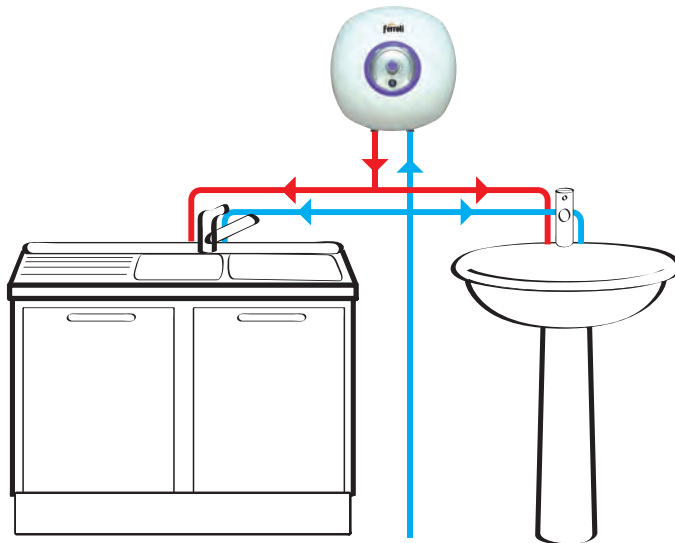
If you need hot water but it isn't possible to provide it using a traditional method, then a small capacity water heater could be the answer. All you need is a 220-240V AC power source and a water supply and a Ferrol heater can be installed above or below the sink.*

A small water heater is ideal for a caravan, a utility room or workspace – providing instantaneous hot water even where space is limited.

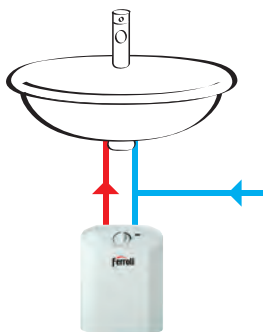
* Model specific and subject to services provisions and specified design criteria.



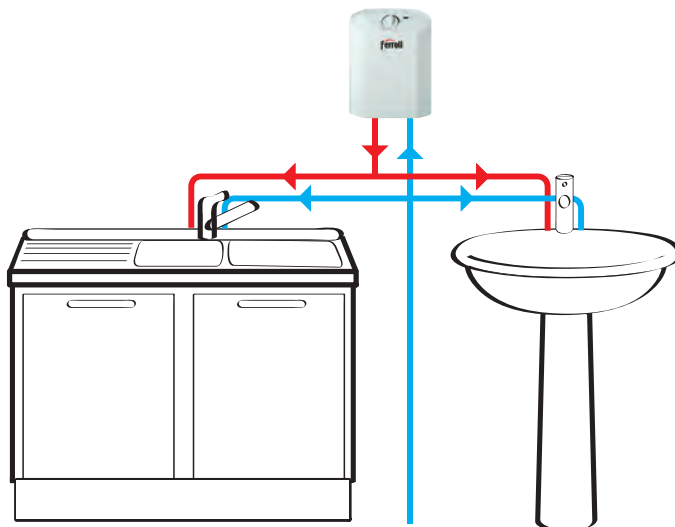
BRAVO 10/15



BRAVO 10/15/30



NOVO 5/10



NOVO 5/10

> BRAVO

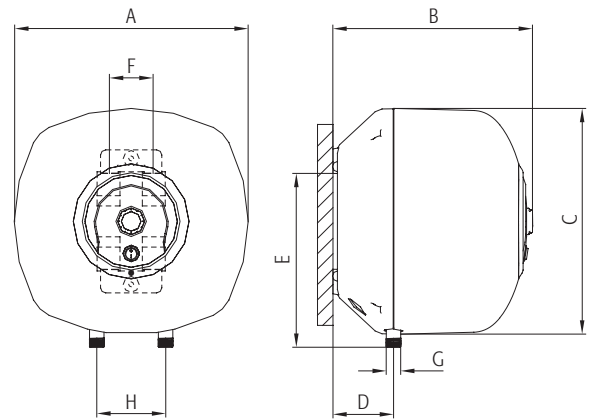
COMPACT BUT GENEROUS

SMALL CAPACITY



- > External casing in strong ABS
- > Reinforced hanging bracket with internal steel bar
- > Capillary thermostat
- > High concentration magnesium anode
- > ON/OFF switch
- > Front step-less temperature adjustment, with power level led indication
- > Pressure relief valve, set to 6 bar
- > Electric cable included (without plug)

*S = Under-sink



BRAVO			SN 10	SN 10 S*	SN 15	SN 15 S*	SN 30
Dimensions	A	mm	340	340	364	364	440
	B	mm	330	330	354	354	440
	C	mm	300	300	337	337	397
	D	mm	90	90	97	97	113
	E	mm	252	114	265	125	318
	F	mm	66	66	66	66	66
	G	inches	1/2" M	1/2" M	1/2" M	1/2" M	1/2" M
	H	mm	100	100	100	100	100
ErP Class		(G - A Class)	B	B	B	B	C
Capacity		litres	10	10	14	14	28
Heating time	ΔT 35° C	min.	12.9'	12.9'	14.4'	14.4'	24'
	ΔT 45° C		16.5'	16.5'	18.5'	18.5'	30.8'
Power		kW	2	2	2.5	2.5	3
Voltage			220~240 V 50-60 HZ				
Weight	EMPTY	Kg	6.5	6.5	8	8	12
	FULL		16.5	16.5	22	22	40
CODE			SN10SVE2.0	SN10SVE2.0U	SN15SVE2.5	SN15SVE2.5U	SN30VE3.0

FEATURES



OPERATING LIGHT



TEMPERATURE ADJUSTMENT



SHOCK-PROOF CASING



INGRESS PROTECTION IPX4



RUST FREE



ON/OFF SWITCH

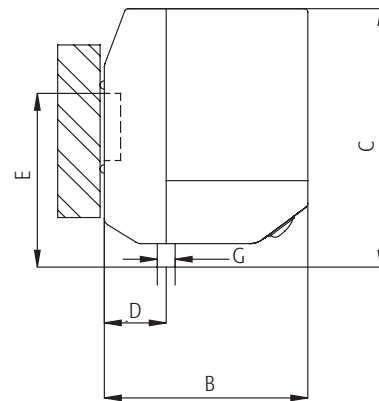
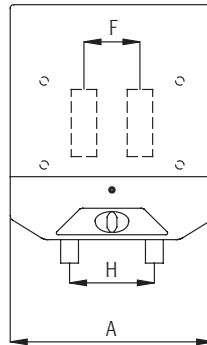
SMALL CAPACITY

> NOVO FITS EVERYWHERE



- > Reinforced hanging bracket with internal steel bar
- > Capillary thermostat for temperature management
- > High concentration magnesium anode
- > ON/OFF switch
- > Temperature adjustment, with LED for setpoint achieved
- > Pressure relief valve, set to 6 bar
- > Electric cable included (without plug)

*S = Under-sink



NOVO			5	5 S*	10	10 S*
Dimensions	A	mm	240	240	240	240
	B	mm	240	240	240	240
	C	mm	285	285	440	440
	D	mm	76	76	76	76
	E	mm	252	114	265	125
	F	mm	66	66	66	66
	G	inches	1/2" M	1/2" M	1/2" M	1/2" M
Diameter	H	mm	100	100	100	100
ErP Class		(G - A Class)	B	B	B	B
Capacity		litres	5	5	8	8
Heating time	ΔT 35° C	min.	6.4'	6.4'	10.3'	10.3'
	ΔT 45° C		8.3'	8.3'	13.2'	13.2'
Power		kW	2			
Voltage			220~240 V 50-60 HZ			
Weight	Empty	Kg	4.5	4.5	6.5	6.5
	Full		9.5	9.5	14.5	14.5
CODE			GRWCXASA	GRWDXASA	GRWCTASA	GRWSTASA

FEATURES



OPERATING LIGHT



TEMPERATURE
ADJUSTMENT



INGRESS
PROTECTION IPX4



RUST FREE



ON/OFF SWITCH

BLUE FOREVER





BLUE FOREVER

High quality Blue Forever elements – improve performance and reduced limescale build-up which helps to preserve the life of the element.

CUBO

> 10/15

SEV

> 50 / 80 / 100

BLUE FOREVER

Enamelled with Blue Silicon, the Blue Forever element comes with an extended Ferrolí warranty.

- > *Reduces limescale deposits*
- > *Increases the lifespan of the heater*
- > *Improves efficiency*
- > *Maintains high performance for longer.*

> **LONG TERM TEST**

Standard element



> **BLUE FOREVER**



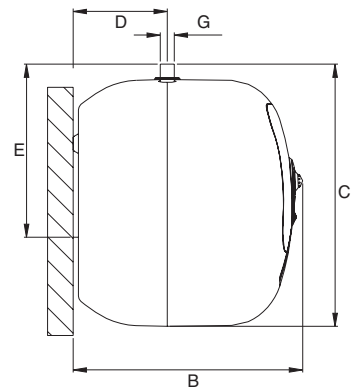
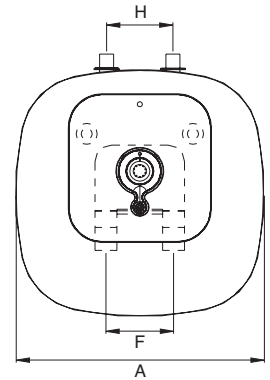
> CUBO

SMALL AND HARD-WORKING



- > External casing in strong ABS
- > Reinforced hanging bracket with internal steel bar
- > Blue Forever heating element
- > Premium tank warranty
- > Thermostatic control
- > High concentration magnesium anode
- > ON/OFF switch
- > Operating light
- > Temperature adjustment
- > Pressure relief valve, set to 6 bar
- > Electric cable included (without plug)

*S = Under-sink



CUBO			SG 10	SG 10 S*	SG 15	SG 15 S*
Dimensions	A	mm	340	340	364	364
	B	mm	330	330	354	354
	C	mm	300	300	337	337
	D	mm	85	85	85	85
	E	mm	259	259	278	278
	F	mm	66	66	66	66
	G	inches	1/2" M	1/2" M	1/2" M	1/2" M
	H	mm	100	100	100	100
ErP Class		(G - A Class)	B	B	B	B
Capacity		litres	10	10	14	14
Heating time	ΔT 35° C	min.	12.9'	12.9	14.4'	14.4'
	ΔT 45° C		16.5	16.5'	18.5'	18.5'
Power		kW	2	2	2.5	2.5
Voltage			220-240V 50-60 HZ			
Weight	EMPTY	Kg	6.5	6.5	8.0	8.0
	FULL		16.5	16.5	22	22
CODE			GRDWTY0A	GRNKTY0A	GRDBR40A	GRNBR40A

FEATURES



EASY TO MAINTAIN



OPERATING LIGHT



TEMPERATURE ADJUSTMENT



ON/OFF SWITCH



INGRESS PROTECTION IPX4



RUST FREE



SHOCK-PROOF CASING



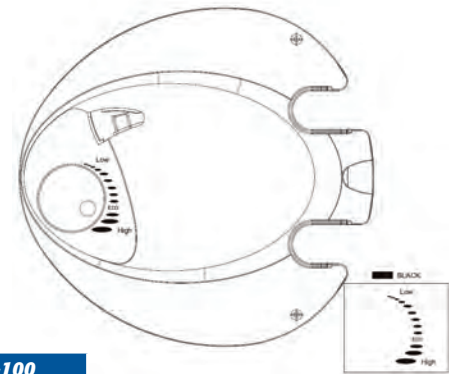
BLUE FOREVER HEATING ELEMENT

> SEV

50 – 100 LITRES



- > Five bolt flange for easy access and periodical maintenance
- > Various models with capacity from 50 to 100 litres
- > Voltage: 220~240 V 50-60 H
- > Stainless Steel Heating Element
- > Titanium Healthy Blue silicon glasslined
- > Neoprene Gasket System
- > Magnesium sacrificial anode for added protection
- > Temperature level indicator
- > On/off light indicator
- > Pressure relief valve set to 6 bar
- > Manual external temperature adjustment
- > 3 years warranty on tank



SEV			SEV-50	SEV-80	SEV-100
DHW tapping profile			M	M	L
ErP Class	(G - A Class)		C	C	C
Capacity		litres	47.5	76	97
Power		kW	3	3	3
Heating time	ΔT 35° C	minutes	40.7'	65.1'	83.1'
	ΔT 45° C	minutes	52.3'	83.7'	106.9'
Weight	EMPTY	Kg	18.0	22.7	26.9
	FULL		65.5	98.7	123.9
Water Connections		inches	1/2" M	1/2" M	1/2" M
Dimensions	WxHxD	mm	450x578x480	450x809x480	450x973x480
CODE			GRDR4W0A	GRDR6W0A	GRDR7W0A

FEATURES



EASY TO MAINTAIN



OPERATING LIGHT



TEMPERATURE ADJUSTMENT



ON/OFF SWITCH



INGRESS PROTECTION IPX4



RUST FREE



SHOCK-PROOF CASING



BLUE FOREVER HEATING ELEMENT



INSTANTANEOUS



INSTANTANEOUS

Easy installation and maintenance

MINI INSTANT

- > *Instant hot water*
- > *Under sink installation*

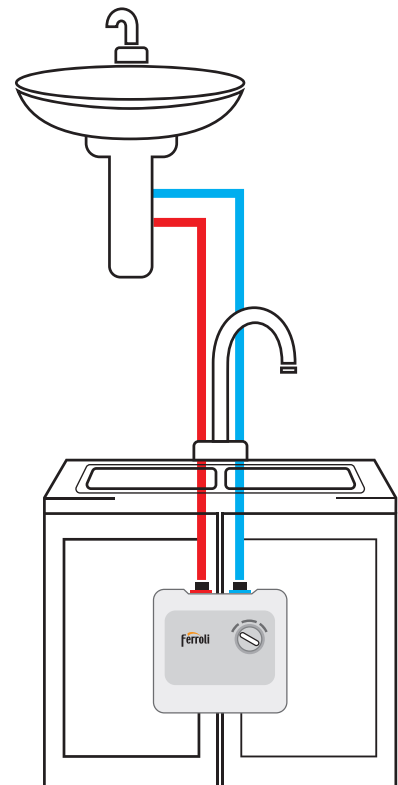
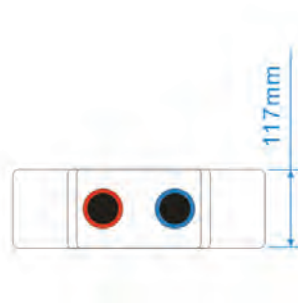
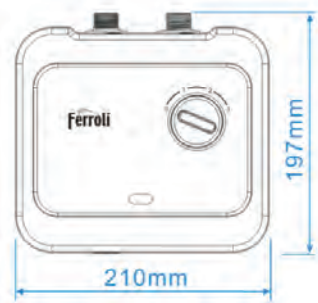


INSTANTANEOUS

> MINI INSTANT FITS EVERYWHERE



- > External casing in strong ABS
- > Reinforced hanging bracket with internal steel bar
- > Capillary thermostat
- > High concentration magnesium anode
- > ON/OFF switch
- > Front step-less temperature adjustment, with power level led indication
- > Under-sink only



MINI			5.5
Dimensions		mm	210 x 197 x 117
ErP Class		(G - A Class)	B
Water Connections		inches	1/2" M
Water Flow Rate	Min	l/min	2
Heating Operating Pressure	Min / Max	bar	0.8 / 6
Power		kW	5.5
Voltage			220~240V 50-60 HZ
Weight		Kg	1.5
CODE			FUS-5.5S

FEATURES



OPERATING LIGHT



TEMPERATURE
ADJUSTMENT



INGRESS
PROTECTION IPX4



RUST FREE



ON/OFF SWITCH



INSTANT BOILING WATER DISPENSERS

Energy saving of up to 75% when compared to other conventional means of boiling water.

PRESTO

> 2.5 to 10 litre capacity

- > **SAFE**
- > **HYGIENIC**
- > **EFFICIENT**

Smooth stainless steel or epoxy coated finish – easy to keep clean, bacteria free and hygienic, ideal for use in sterile conditions:

- > *Hospitals*
- > *Clinics*
- > *Churches*
- > *Restaurants*
- > *Schools*
- > *Universities*
- > *Factories*
- > *Offices*
- > *Guest-houses*
- > *Hotels*
- > *Homes*

> PRESTO


WALL MOUNTED, INSTANT BOILING WATER DISPENSERS



- > Wall mounted – no loose boiling water units on counter tops, prevents scalding and saves counter space
- > Steam free – no dangerous hot steam expelled from the unit, safe for maintenance workers, home and office
- > Safety sensor – prevents unit from overflowing
- > Smooth stainless steel or epoxy coated finish – easy to keep clean, bacteria free and hygienic, ideal for use in sterile conditions (e.g. hospitals, kitchens)
- > Energy saving of up to 75% when compared to other conventional means of boiling water
- > Efficient filling method – saves electricity and time by filling in stages



PRESTO		2.5	5	7.5	10
Capacity	litres	2.5	5	7.5	10
Initial draw-off	180ml cups	15	30	45	60
Recovery per minute	180ml cups	2	2	2	2
First hour delivery	180ml cups	120	135	150	175
Time for 1st cup	min	6	7	7	10
Heating element	kw	1.8	2.0	2.0	2.0
Min. supply pressure	kPa	20	20	20	20
Max. supply pressure	kPa	1000	1000	1000	1000
Weight (empty)	kg	6.6	8.5	8.7	10
Dimensions	WxHxD mm	275x365x165	320x448x195	320x448x195	348x460x225
CODE – Stainless Steel	–	FP2.5SS	FP5.0SS	FP7.5SS	FP10.0SS



Whilst every effort is taken to ensure the accuracy of the information contained within the brochure, the details are offered in good faith and Ferroli Ltd. accepts no liability for matters arising as a result of errors and/or omissions.

The information in this brochure was correct at the time of printing, however specifications and designs may be changed owing to Ferroli's policy of continuous product research and development. The technical specifications in the product instruction manual supersedes and should always be referred to during installation and maintenance.

Reproduction of this publication, or any part, is not permitted without the written consent of Ferroli Ltd. Please contact our Marketing Communications via marketing@ferroli.co.uk for further information. The statutory rights of the consumer are not affected.



ferroli

Ferroli Limited

Lichfield Road, Branston Industrial Estate
Burton on Trent, Staffordshire, DE14 3HD

Sales: 0330 205 0002 | uk.sales@ferroli.com | www.ferroli.co.uk