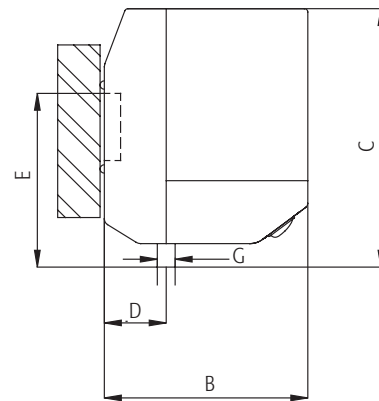
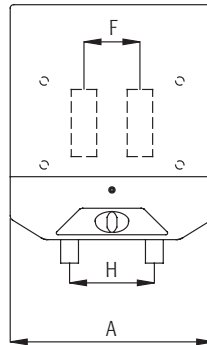


# > NOVO FITS EVERYWHERE



- > Reinforced hanging bracket with internal steel bar
- > Capillary thermostat for temperature management
- > High concentration magnesium anode
- > ON/OFF switch
- > Temperature adjustment, with LED for setpoint achieved
- > Pressure relief valve, set to 6 bar
- > Electric cable included (without plug)

\*S = Under-sink



| NOVO         |                  |               | 5                  | 5 S*     | 10       | 10 S*    |
|--------------|------------------|---------------|--------------------|----------|----------|----------|
| Dimensions   | A                | mm            | 240                | 240      | 240      | 240      |
|              | B                | mm            | 240                | 240      | 240      | 240      |
|              | C                | mm            | 285                | 285      | 440      | 440      |
|              | D                | mm            | 76                 | 76       | 76       | 76       |
|              | E                | mm            | 252                | 114      | 265      | 125      |
|              | F                | mm            | 66                 | 66       | 66       | 66       |
|              | G                | inches        | 1/2" M             | 1/2" M   | 1/2" M   | 1/2" M   |
| Diameter     | H                | mm            | 100                | 100      | 100      | 100      |
| ErP Class    |                  | (G - A Class) | <b>B</b>           | <b>B</b> | <b>B</b> | <b>B</b> |
| Capacity     |                  | litres        | 5                  | 5        | 8        | 8        |
| Heating time | $\Delta T$ 35° C | min.          | 6.4'               | 6.4'     | 10.3'    | 10.3'    |
|              | $\Delta T$ 45° C |               | 8.3'               | 8.3'     | 13.2'    | 13.2'    |
| Power        |                  | kW            | 2                  |          |          |          |
| Voltage      |                  |               | 220~240 V 50-60 HZ |          |          |          |
| Weight       | Empty            | Kg            | 4.5                | 4.5      | 6.5      | 6.5      |
|              | Full             |               | 9.5                | 9.5      | 14.5     | 14.5     |
| CODE         |                  |               | GRWCXASA           | GRWDXASA | GRWCTASA | GRWSTASA |

## FEATURES



OPERATING LIGHT



TEMPERATURE  
ADJUSTMENT



INGRESS  
PROTECTION IPX4



RUST FREE



ON/OFF SWITCH