

## UPS3



TM07 0386 1518

### Product description

UPS3 is a circulator pump designed to be used in domestic heating systems with either variable or constant flow rate. The pump automatically controls the differential pressure by adjusting the pump performance to the actual heating demand without the use of external components.

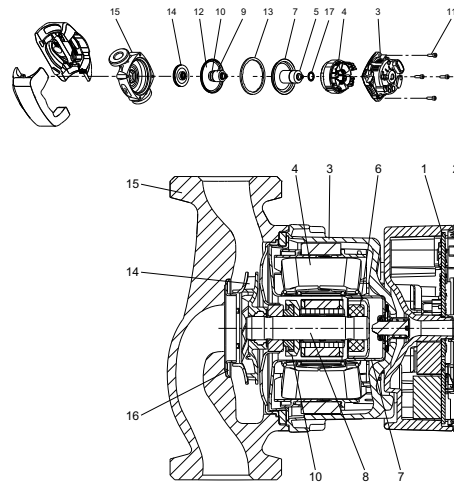
### Features

- Three constant curves/constant speed curves.
- Two proportional-pressure curves.
- Two constant-pressure curves.
- Speed control via a low-voltage PWM (Pulse Width Modulation) signal profile A (heating). The PWM signal is a method for generating an analog signal using a digital source.
- Low EEI (Energy Efficiency Index).
- Deblocking device.
- Alarm and warning indication
- Low noise level.
- Very simple installation.

### Technical data

Operating conditions and electrical data		
Ambient temperature	0-55 °C	
Liquid temperature	2-95 °C	
System pressure	PN 10: Maximum 1.0 MPa (10 bar)	
Relative humidity	Maximum 95 %	
	Liquid temperature	Min. inlet pressure
Inlet pressure	75 °C	0.005 MPa, 0.05 bar
	95 °C	0.05 MPa, 0.5 bar
Supply voltage	1 x 230 V - 15 %/+ 10 %, 50/60 Hz, PE	
Insulation class	F	
Miscellaneous data		
Motor protection	The pump requires no external motor protection.	
Temperature class	TF95	
Enclosure class	IPX4D	
Specific EEI	≤ 0.20	
Sound pressure level	The sound pressure level of the pump is lower than 32 dB(A).	

### Material specification

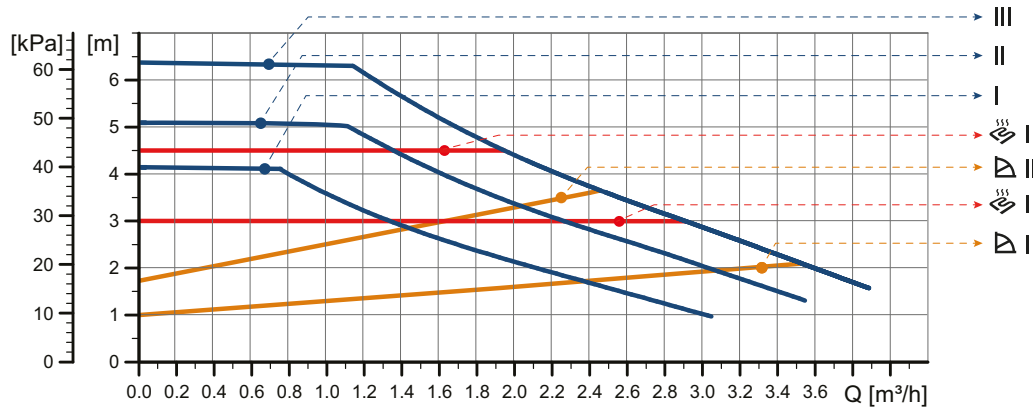


TM07 0793 0219

TM07 0794 1918

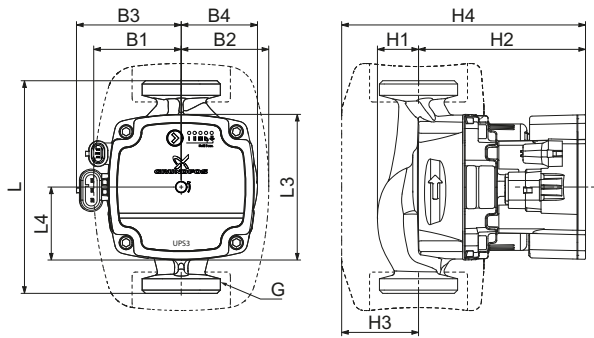
Pos.	Component	Material	EN/DIN
1	Control box	Composite PC-GF10 FR	
	Control electronics	PCB with SMD components	
2	Front foil	LEXAN 8A13F	
3	Stator housing	Aluminium, silumin	
4	Stator	Copper wire	
	Stator lamination	Laminated iron	
5	Push deblocking device		
	Plunger	Stainless steel	1.4404
	Spring	Stainless steel	1.4310
	Housing for spring	Stainless steel	1.4401
	Guide disc	Stainless steel	1.4401
6	Housing for sealing	Stainless steel	1.4401
	Sealing	EPDM	
6	Radial bearing	Ceramics	
7	Rotor can	Stainless steel	1.4401
8	Shaft	Ceramics	
9	Rotor		
	Rotor tube	Stainless steel	1.4521
	Rotor cladding	Stainless steel	1.4401/ 1.4301
	Bush	Stainless steel	1.4301
	Thrust bearing	Carbon	
10	Thrust bearing retainer	EPDM	
11	Screws	Steel	
12	Bearing plate	Stainless steel	1.4301
13	Gasket	EPDM	
14	Impeller	Composite/PES 30 % GF	
15	Pump housing	Cast iron GG15	EN-GJL-150
16	Neck ring	Stainless steel	1.4301
17	O-ring	EPDM	

**Performance curve**



TM07 15 19 1618

**Dimensions**



TM07 0792 1518

Pump type	Dimensions [mm]											
	L1	L3	L4	B1	B2	B3	B4	H1	H2	H3	H4	G
UPS3 15-50/65	130	89	45	54	54	64	47	25	102	47	149	G 1 1/2

**Pump product number**

Product type	Product number
UPS3 15-50/65	99199622

**Insulating shells**

The insulating shells can be ordered as accessories.

Pump type	Product number
UPS3 15-50/65	99270706

**Cables**

	Length [mm]	Product number
Mini superseal signal cable (PWM input signal)	2000	99165309
Superseal power cable	2000	99198990
Power cable adapter: Superseal Molex cable adapter, overmoulded	150	99165311
Power cable adapter: Superseal Volex cable adapter, overmoulded	150	99165312

**Union and valve kits**

		Product numbers					
		Union nut with internal threads			Union nut with external threads		
UPS3	Connection						
		3/4	1	1 1/4	1	1 1/4	
15-xx G 1 1/2		99888844	99672022	99888852	99888884	99888884	99888884
				2	7	9	

The product number for the standard sizes is printed in bold.

UPS3 is only available in UK.

<b>99424000</b> 12.2020
ECM: 1303120