



## STANDARD SERIES

# Standard 460

### Category Benefits

This model offers the following benefits:

- Food waste is ground into particles and flushed away
- A convenient solution to food waste in the home
- Lift & Latch Technology makes it easy to install into new or existing kitchens and can be fitted to most sinks
- Space-Saving compact design

### Features

This model offers the following features:

- **0.55 HP induction motor** provides maximum grinding power and durability
- **Single Stage Grind Technology**
- Safe for use with properly maintained septic tanks
- With factory installed power cord and Air Switch in Chrome

### Warranty

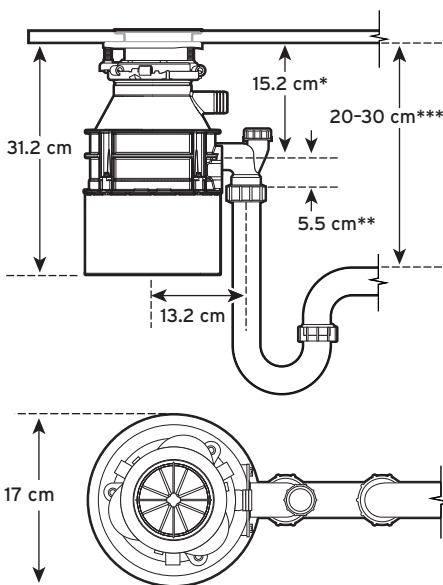
Up to 3-Year Limited Warranty\*

\* Visit [www.insinkerator.com/product-registration](http://www.insinkerator.com/product-registration) for warranty details.

### Specifications

Type of Feed	Continuous
On/Off Control	Air Switch
Motor	Single Phase
Motor HP	0.55
Volts	220-240
HZ	50-60
Motor Power, W	380 W
Time Rating	Intermittent
Lubrication	Permanently Lubricated Upper & Lower Bearings
Shipping Weight (Approx.)	7.7 kg
Overall Height	31.2 cm
Motor Protection	Manual Reset
Drain Connection	3.8 cm Cushioned Slip Joint
Dishwasher Drain Connection	Yes
Grind Technology	Single Stage Grind
Plug	Schuko
Grind Chamber Capacity	980 ml

### Dimensions



\*Distance from bottom of sink to centre line of disposer outlet. Add 12.7 mm when stainless steel sinks are used.

\*\*Length of tailpipe from centre line of disposer outlet to end of tailpipe.

\*\*\*Distance between bottom of sink bowl to the waste pipe to be minimum of 30 cm.

