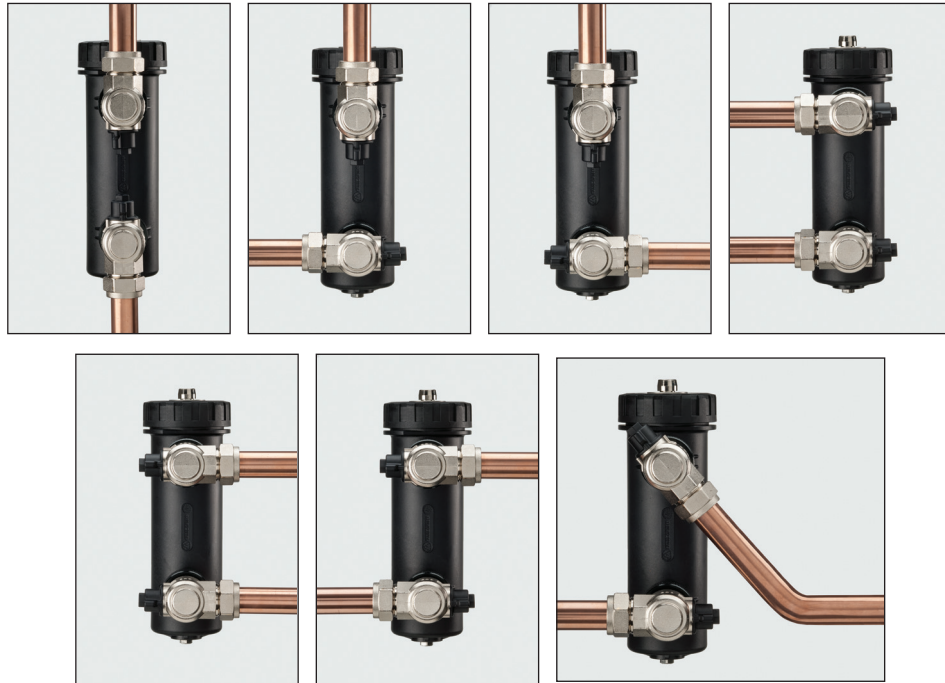


Multiple installation options

MagnaClean® Professional2XP in-line design and 360° rotational valves provide multiple installation options for both vertical and horizontal pipework. This ensures greater flexibility within the tightest working environments.



FOR BEST RESULTS

Install and service with MC1, the advanced system inhibitor from the UK's No 1 manufacturer of magnetic filters.

MagnaClean® Professional 2XP

Installation and servicing
instructions

MagnaClean Professional2XP

MagnaClean Professional2XP delivers exceptional domestic central heating system protection against the damaging effects of black iron oxide sludge and non-magnetic debris. The unique, full-flow, 28mm valves and increased filter capacity establishes it as a leader in its class giving professional installers a dedicated filter for larger central heating systems.

IMPORTANT Always follow the Standard Electrical Best Practice guidelines when installing a MagnaClean filter. A copy of these guidelines can be found at www.hse.gov.uk/electricity

The inlet and outlet on MagnaClean Professional2XP are reversible and there is no flow restriction. Following installation, don't forget to complete the warranty card. Alternatively, complete the registration online at www.adey.com
This product is backed by a two year limited guarantee.



ADEY

PROFESSIONAL HEATING SOLUTIONS

Telephone: +44 (0)1242 54 6717 Email: info@adey.com

www.adey.com



Produced from recycled material
A carbon neutral company

MT13308

ADEY

PROFESSIONAL HEATING SOLUTIONS



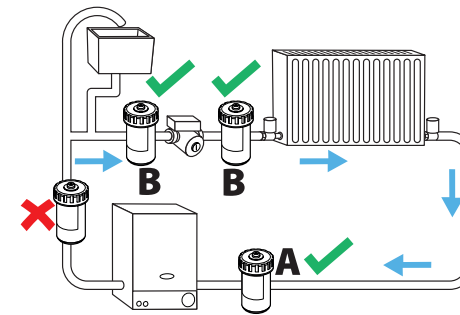
Installation

MagnaClean® Professional2XP has been developed by the industry leading and multi-award winning company that pioneered magnetic filtration. ADEY's filters are already protecting two million heating systems throughout the UK.

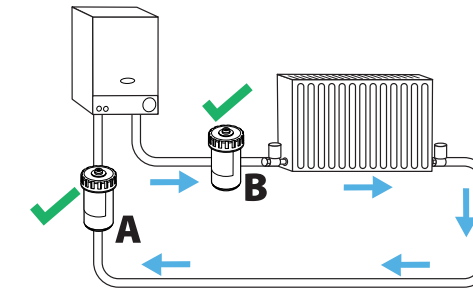
The x-treme performance dual-action filter can be installed anywhere on the main circuit. However to achieve the best level of protection for the boiler, it is recommended that **MagnaClean Professional2XP** is installed after the last radiator and before the boiler.

The following instructions are designed to support engineers in the safe and effective installation and servicing of **MagnaClean Professional2XP** and should be followed at all times.

Any queries should be directed to your supervisor or ADEY direct on **01242 546717**.



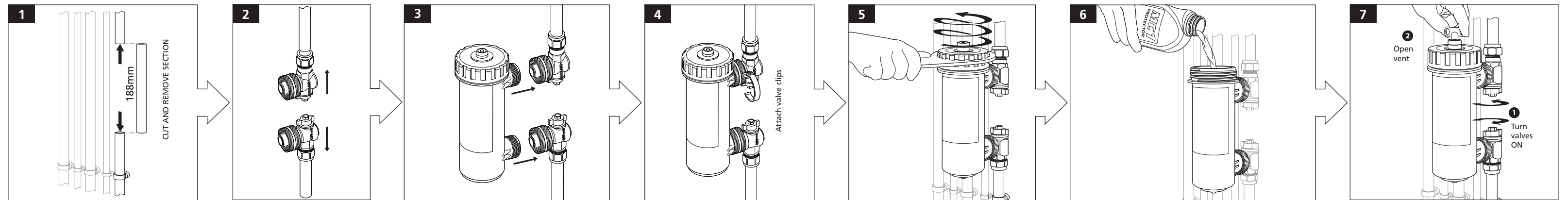
Open vented system



Combi/Sealed system

In both diagrams, position **A** is best practice, while **B** is suitable.

N.B. We firmly recommend **MagnaClean Professional2XP** is installed and serviced by a qualified heating engineer.



Servicing

Your system is protected by

MagnaClean® Professional 2XP

Annual service required
www.adey.com

