

# Mira Activate High Pressure & Pumped Single Outlet Digital Mixer



SUITABLE FOR ALL SYSTEMS



5 YEAR WARRANTY

## Product Information

Description	Colour	Product No.
Mira Activate, Rear Fed (High Pressure/Combi)	Chrome	1.1903.087
Mira Activate, Rear Fed (Pumped for Gravity)	Chrome	1.1903.091
Mira Activate, Ceiling Fed (High Pressure/Combi)	Chrome	1.1903.086
Mira Activate, Ceiling Fed (Pumped for Gravity)	Chrome	1.1903.090

## Features & Benefits

### Temperature control

Thermostatic temperature stability with digital intelligence

Digital user interface with temperature and flow display

Variable flow control

Maximum temperature setting for increased safety

### Easy to fit and maintain

Easy to install, single piece ceiling fed fittings assembly

Rear fed fittings option suitable for wall mounted installations

Push fit isolators

Long life filters

### For your customer

Award winning Mira Switch 4 spray showerhead

Connected Mira app offers secondary control and remote operation

User adjustable temperature, flow and duration showering pre-sets

Eco mode reduces water flow for more responsible water use

Additional wireless remote control sold separately



To download other resources, and for more information and advice on our products just visit:  
[www.mirashowers.co.uk](http://www.mirashowers.co.uk)



# Product Specification

## Tech Details

### Installation Units & Fittings

Water Entry Points - Back, Rear Fed; Top, Ceiling Fed

Inlet Connections: 15mm Push Fit (supplied)

Data Connection to Digital Mixer: Low Voltage Data Cable

### Digital Mixer

Inlet Connections: 15mm Push Fit (supplied)

Outlet connection: 15mm Push Fit (supplied)

Data Connection to control unit and fittings: Low Voltage Data Cable

Supply voltage: 230v +10%

Supply rating: 3 amp

### Supply Conditions (hot and cold)

Minimum maintained pressure: Pumped: 0.01 bar (10 cm head);  
High Pressure: 1 bar (10 metre head)

Maximum maintained pressure: Pumped: 1.0 bar (10 metre head);  
High Pressure: 5.0 bar (50 metre head)

Maximum static pressure: Pumped: 1.0 bar (10 metre head);  
High Pressure: 10.0 bar (100 metre head)

### Performance

Flow rate: Adjustable flow rate from 6 l/min to 12 l/min at 0.1 bar (Pumped for Gravity); 4 l/min to 16 l/min at 1 bar (High Pressure)

Temperature stability:  $\pm 1^\circ\text{C}$

### Safety Features

Phased shutdown: Yes

Factory set to safe max temp

### Approvals

WRAS approved (Water Regulations Advisory Scheme)

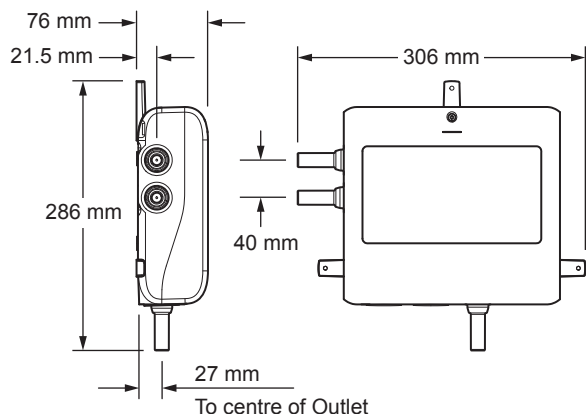
TMV2 approved

BEAB approved

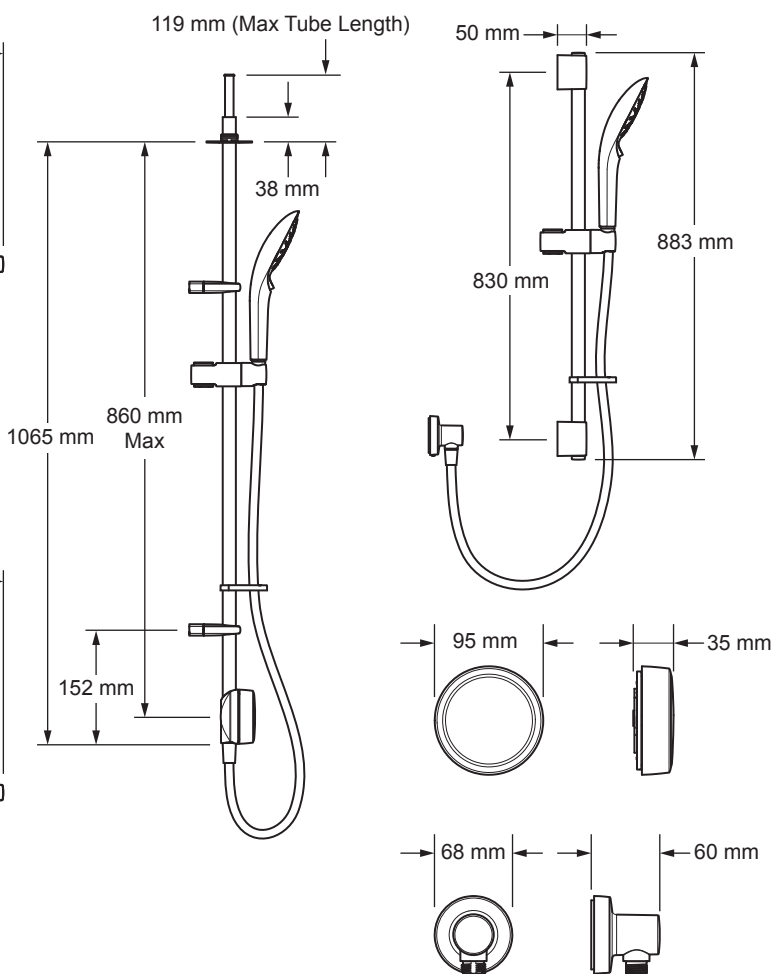
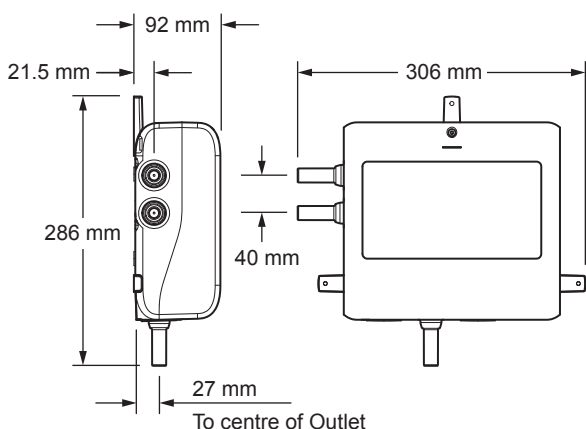


## Dimensions

### High Pressure, Single Outlet



### Low Pressure, Single Outlet



To download other resources, and for more information and advice on our products just visit:  
[www.mirashowers.co.uk](http://www.mirashowers.co.uk)

