

VALVE
SELECTION
GUIDE
EDITION 6



heatingthroughinnovation.





Newcastle West Manufacturing Plant



"Our focus is firmly fixed on the manufacture of quality products here at our factory in Newcastle West"

Patrick Rowley, Manufacturing Director.

Index

• Matchmate & Euro Lockshield Radiator Valves	3
Technical Specification	6
• Matchmaster Radiator Valves	7
Technical Specification	9
• Full Flow Commercial Radiator Valves	10
Technical Specification	12
• TRV 2 Way, Petite TRV and TRV Packs	13
Technical Specification	16
• TRV Accessories	18
Technical Specification	19
• Decorative Valves	20
• ABV, TCV & Valve Accessories	22
Technical Specification	23



Description:	Angle Brass Wheelhead
Size:	10mm
Order Code:	MM10WAB



Description:	Angle Brass Lockshield
Size:	10mm
Order Code:	MM10LAB



Description:	Angle Brass Lockshield with drain off
Size:	10mm
Order Code:	MM10LABD



Description:	Angle Brass Wheelhead
Size:	15mm
Order Code:	MM15WAB



Description:	Angle Brass Lockshield
Size:	15mm
Order Code:	MM15LAB



Description:	Angle Brass Lockshield with drain off
Size:	15mm
Order Code:	MM15LABD



Description:	Angle Nickel Wheelhead
Size:	8mm
Order Code:	MM8WAN



Description:	Angle Nickel Lockshield
Size:	8mm
Order Code:	MM8LAN



Description:	Angle Nickel Lockshield with drain off
Size:	8mm
Order Code:	MM8LAND



Description:	Angle Nickel Wheelhead
Size:	10mm
Order Code:	MM10WAN



Description:	Angle Nickel Lockshield
Size:	10mm
Order Code:	MM10LAN



Description:	Angle Nickel Lockshield with drain off
Size:	10mm
Order Code:	MM10LAND



Description:	Angle Nickel Wheelhead
Size:	15mm
Order Code:	MM15WAN



Description:	Angle Nickel Lockshield
Size:	15mm
Order Code:	MM15LAN



Description:	Angle Nickel Lockshield with drain off
Size:	15mm
Order Code:	MM15LAND



Description:	Straight Nickel Wheelhead
Size:	15mm
Order Code:	MM15WSN



Description:	Straight Nickel Lockshield
Size:	15mm
Order Code:	MM15LSN



Description:	Angle Nickel Lockshield
Size:	10mm
Order Code:	EVI0LAN



Description:	Angle Nickel Lockshield with drain off
Size:	10mm
Order Code:	EVI0LAND



Description:	Angle Nickel Lockshield
Size:	15mm
Order Code:	EVI5LAN



Description:	Angle Nickel Lockshield with drain off
Size:	15mm
Order Code:	EVI5LAND

Plastic Pipe Valves (PPV)

Maximum versatility, minimum fuss – your total solution for plastic

Only Myson Controls offer a complete range of plastic pipe valves that fit all manufacturer's BS 10mm and 15mm tube.

The Myson PPV range of both thermostatic and manual radiator valves has been designed in conjunction with heating engineers, national house builders and plastic pipe manufacturers. This has resulted in versatile and attractive ranges with both 'Pushfit' and compression connections specifically for use on central heating systems where plastic pipe or copper has been specified. Up, down, back, front, left, right, vertical or horizontal the Myson Controls PPV range covers them all.



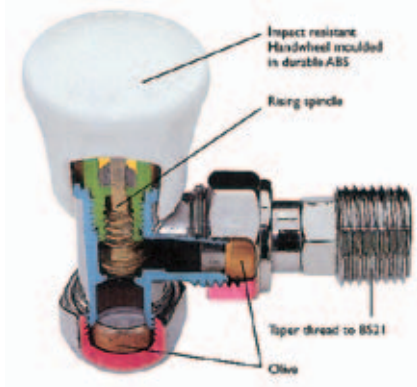
Introducing the Integral Pushfit 90

The latest addition to the Myson PPV range is the Integral Pushfit 90. This is available for Chrome TRV's, Matchmaster and the new slimline decorative range.

- Attractive design.
- Integral all in one valve – no separate elbow.
- Double EPDM 'O' ring for added security.
- Impact resistant connection, with flexibility for life.

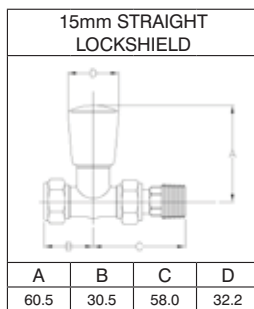
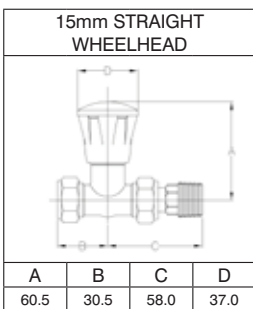
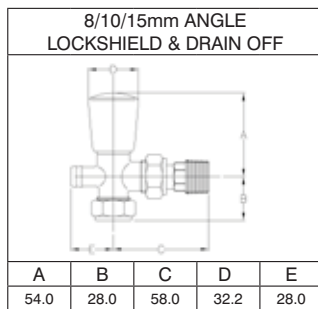
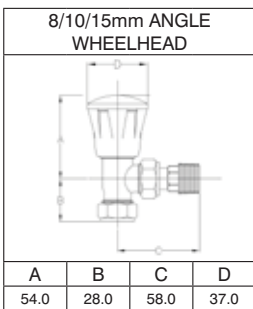
FOR PUSH FIT VALVES REFER TO THE MYSON PPV BROCHURE HOTLINE NUMBER 0845 402 3434

MATCHMATE

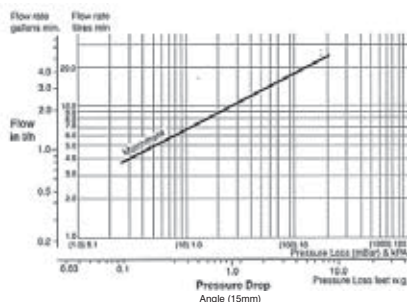


- Maximum operating pressure 10 Bar.
- Pressure tested in accordance with BS 2767.
- Maximum water temperature 120°C.
- Available in high quality Nickel or Brass finish.
- Available with drain off facility.

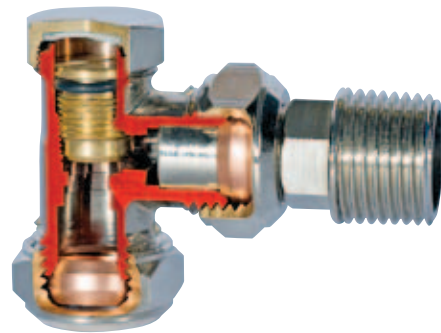
DIMENSIONS



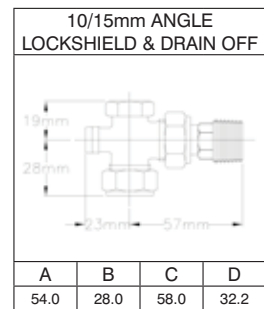
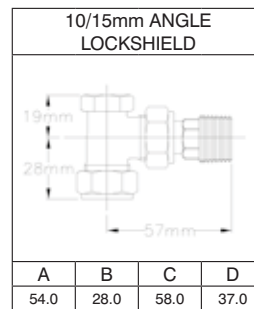
PRESSURE DROP



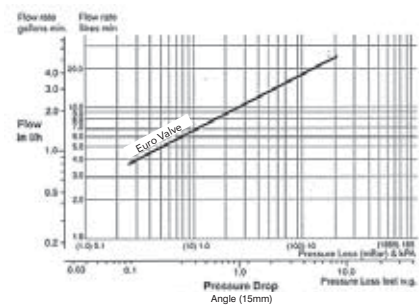
EURO LOCKSHIELD



- Maximum operating pressure 10 Bar.
- Pressure tested in accordance with BS 2767.
- Maximum water temperature 120°C.
- Available in high quality Nickel finish.
- Available with drain off facility.



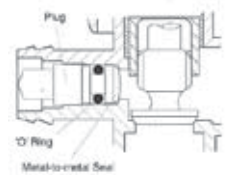
PRESSURE DROP



LOCKSHIELD WITH DRAIN OFF FACILITY FOR BOTH MATCHMATE AND EUROVALVE

Operation

- Close radiator valves.
- Place drip tray under drain off.
- Open radiator air vent screw to release the pressure and close, then remove drain off plug.
- Fit hosepipe or use a suitable receptacle.
- Open radiator vent screw (Note: The flow from the drain off can be stopped by closing air vent).
- When drain off is completed close radiator air vent screw and replace drain off plug.





Description:	Angle Brass Wheelhead
Size:	10mm
Order Code:	MR10WAB



Description:	Angle Brass Lockshield
Size:	10mm
Order Code:	MR10LAB



Description:	Angle Brass Lockshield with drain off
Size:	10mm
Order Code:	MR10LABD



Description:	Angle Brass Wheelhead
Size:	15mm
Order Code:	MR15WAB



Description:	Angle Brass Lockshield
Size:	15mm
Order Code:	MR15LAB



Description:	Angle Brass Lockshield with drain off
Size:	15mm
Order Code:	MR15LABD



Description:	Angle Chrome Wheelhead
Size:	10mm
Order Code:	MR10WAC



Description:	Angle Chrome Lockshield
Size:	10mm
Order Code:	MR10LAC



Description:	Angle Chrome Lockshield with drain off
Size:	10mm
Order Code:	MR10LACD



Description:	Angle Chrome Wheelhead
Size:	15mm
Order Code:	MR15WAC



Description:	Angle Chrome Lockshield
Size:	15mm
Order Code:	MR15LAC



Description:	Angle Chrome Lockshield with drain off
Size:	15mm
Order Code:	MR15LACD



Description:	Straight Chrome Wheelhead
Size:	15mm
Order Code:	MR15WSC



Description:	Straight Chrome Lockshield
Size:	15mm
Order Code:	MR15LSC

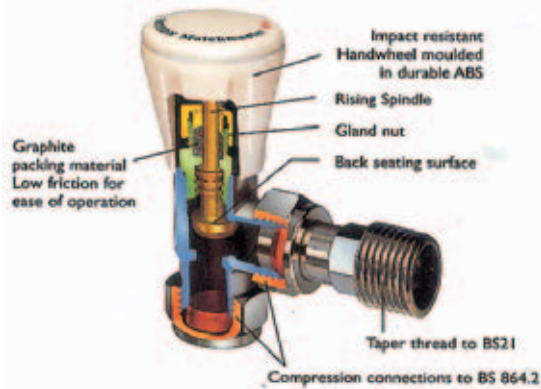


Description:	Angle Chrome Wheelhead for Iron Pipe
Size:	1/2" bsp
Order Code:	MR15LACIP



Description:	Angle Chrome Lockshield for Iron Pipe
Size:	1/2" bsp
Order Code:	MR15WACIP

MATCHMASTER



- Conforms to BS 2767-10.
- Maximum operating pressure 10 Bar.
- Maximum water temperature 120°C.
- Available in Chrome or Brass finish.
- Available with drain off facility.
- Graphite Gland packing.
- Back seating arrangement for maintenance without draining down.

DIMENSIONS

15mm ANGLE WHEELHEAD			
A	B	C	D
55.7	31.0	58.0	37.0

15mm ANGLE LOCKSHIELD			
A	B	C	D
53.0	31.0	58.0	23.5

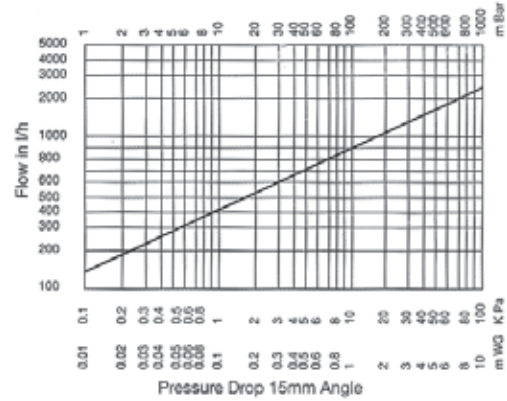
15mm ANGLE LOCKSHIELD WITH DRAIN OFF			
A	B	C	D
53.0	31.0	76.6	34.0

15mm STRAIGHT WHEELHEAD			
A	B	C	D
63.5	40.0	56.5	37.0

15mm STRAIGHT LOCKSHIELD			
A	B	C	D
55.5	40.0	56.5	23.5

1/2" BSP ANGLE LOCKSHIELD			
A	B	C	D
53	27	58	23

PRESSURE DROP



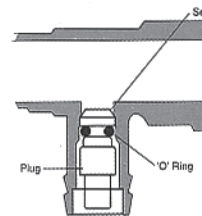
MATCHMASTER LOCKSHIELD WITH DRAIN OFF FACILITY

FEATURES

- Manufactured to BS2767-10.
- Tamperproof plug.
- Double seal (metal-to-metal and 'O' ring).
- Available in Brass or Chrome.
- Sizes 15mm, 10mm & 8mm.

OPERATION

- Close radiator valves.
- Place drip tray under drain off.
- Open radiator air vent screw to release the pressure and close, then remove drain off plug.
- Fit hosepipe or use a suitable reseptic.
- Open radiator vent screw (Note: The flow from the drain off can be stopped by closing air vent).
- When drain off is completed close radiator air vent screw and replace drain off plug.





Description:	Angle Brass Wheelhead for Iron & Copper Pipe
Size:	15mm & 1/2" bsp
Order Code:	FF15WAB



Description:	Angle Brass Lockshield for Iron & Copper Pipe
Size:	15mm & 1/2" bsp
Order Code:	FF15LAB



Description:	Straight Brass Wheelhead for Iron & Copper Pipe
Size:	15mm & 1/2" bsp
Order Code:	FF15WSB



Description:	Straight Brass Lockshield for Iron & Copper Pipe
Size:	15mm & 1/2" bsp
Order Code:	FF15LSB



Description:	Angle Brass Wheelhead for Iron & Copper Pipe
Size:	22mm & 3/4" bsp
Order Code:	FF22WAB



Description:	Angle Brass Lockshield for Iron & Copper Pipe
Size:	22mm & 3/4" bsp
Order Code:	FF22LAB



Description:	Angle Chrome Wheelhead for Iron & Copper Pipe
Size:	15mm & 1/2" bsp
Order Code:	FF15WAC



Description:	Angle Chrome Lockshield for Iron & Copper Pipe
Size:	15mm & 1/2" bsp
Order Code:	FF15LAC



Description:	Angle Chrome Lockshield for Iron & Copper Pipe with drain off
Size:	15mm & 1/2" bsp
Order Code:	FF15LACD



Description:	Straight Chrome Wheelhead for Iron & Copper Pipe
Size:	15mm & 1/2" bsp
Order Code:	FF15WSC



Description:	Straight Chrome Lockshield for Iron & Copper Pipe
Size:	15mm & 1/2" bsp
Order Code:	FF15LSC



Description:	Angle Chrome Wheelhead for Iron & Copper Pipe
Size:	22mm & 3/4" bsp
Order Code:	FF22WAC



Description:	Angle Chrome Lockshield for Iron & Copper Pipe
Size:	22mm & 3/4" bsp
Order Code:	FF22LAC

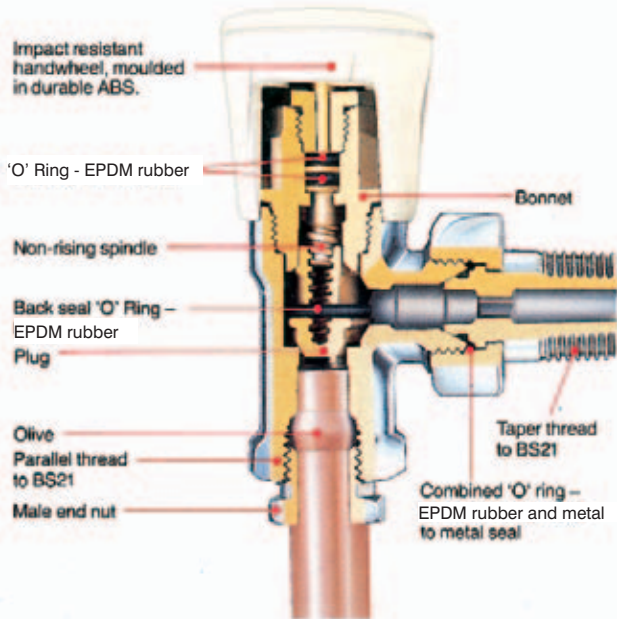


Description:	Straight Chrome Wheelhead for Iron & Copper Pipe
Size:	22mm & 3/4" bsp
Order Code:	FF22WSC



Description:	Straight Chrome Lockshield for Iron & Copper Pipe
Size:	22mm & 3/4" bsp
Order Code:	FF22LSC

FULL FLOW



- Conforms to BS 2767-10.
- Maximum operating pressure 10 Bar.
- Maximum water temperature 120°C.
- Available in polished Chrome or Brass finish.
- One valve for copper or iron pipes - 15mm: 1/2", 22mm: 3/4".
- Double 'O'-Ring seal and non-rising spindle.
- 'O'-Ring seal on union guarantees water tight seal.
- Available with drain off facility.

DIMENSIONS

WHEELHEAD ANGLE VALVE				
	A	B	C	D
15mm/1/2"	55.5	39.0	54.8	40.0
22mm/3/4"	56.0	45.2	61.1	40.0

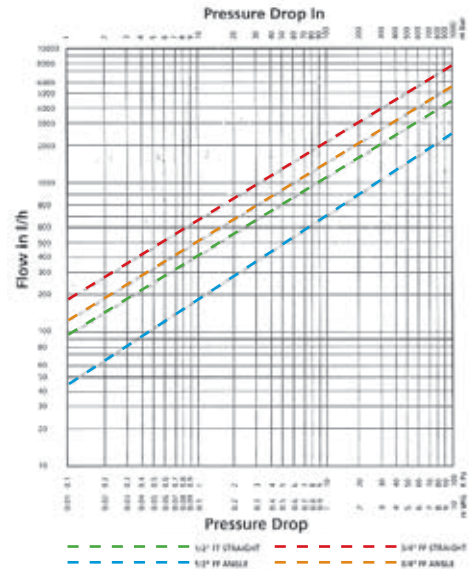
LOCKSHIELD ANGLE VALVE WITH DRAIN OFF					
	A	B	C	D	E
15mm/1/2"	52.5	39.0	54.8	34.0	30.0
22mm/3/4"	53.5	45.2	61.1	40.0	-

WHEELHEAD STRAIGHT VALVE				
	A	B	C	D
15mm/1/2"	69.0	47.0	47.8	40.0
22mm/3/4"	72.1	54.5	54.1	40.0

LOCKSHIELD ANGLE VALVE				
	A	B	C	D
15mm/1/2"	62.0	47.0	47.8	34.0
22mm/3/4"	65.1	54.5	54.1	34.0

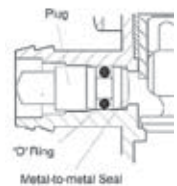
A, B, C, D, and E Dimensions are in mm

PRESSURE DROP



Operation

- Close radiator valves.
- Place drip tray under drain off.
- Open radiator air vent screw to release the pressure and close, then remove drain off plug.
- Fit hosepipe or use a suitable resepticle.
- Open radiator vent screw (Note: The flow from the drain off can be stopped by closing air vent).
- When drain off is completed close radiator air vent screw and replace drain off plug.





Description:	TRV 2-WAY Chrome Angle
Size:	8mm / 15mm
Order Code:	2TRV8C



Description:	TRV 2-WAY Chrome Angle
Size:	10mm / 15mm
Order Code:	2TRV10C



Description:	TRV 2-WAY Chrome Angle
Size:	15mm
Order Code:	2TRV15C



Description:	TRV 2-WAY Brass Angle
Size:	10mm / 15mm
Order Code:	2TRV10B



Description:	TRV 2-WAY Brass Angle
Size:	15mm
Order Code:	2TRV15B



Description:	TRV 2-WAY Chrome Straight
Size:	15mm
Order Code:	2TRV15SC



Description:	TRV 2-WAY Contract Nickel Angle
Size:	8mm / 10mm / 15mm
Order Code:	2TRVUS



Description:	TRV 2-WAY Contract Nickel Angle
Size:	10mm / 15mm
Order Code:	2TRV10N



Description:	TRV 2-WAY Contract Nickel Angle
Size:	15mm
Order Code:	2TRV15N



Description:	TRV 2-WAY Contract Nickel Straight
Size:	10mm / 15mm
Order Code:	2TRV10NS



Description:	Petite TRV Nickel Angle
Size:	10mm
Order Code:	PETTRV10N



Description:	Petite TRV Nickel Angle
Size:	15mm
Order Code:	PETTRV15N



Description:	Petite TRV Nickel Straight
Size:	15mm
Order Code:	PETTRV15NS



**FOR MYSON
ELECTRONIC CONTROLS
REFER TO THE MYSON
CONTROLS BROCHURE**

**HOTLINE NUMBER
0845 402 3434**



Description:	Petite TRV & Lockshield Pack, Nickel
Size:	10mm
Order Code:	PETPAK10N



Description:	Petite TRV & Lockshield with drain off Pack, Nickel
Size:	10mm
Order Code:	PETPAK10ND



Description:	Petite TRV & Lockshield Pack, Nickel
Size:	15mm
Order Code:	PETPAK15N



Description:	Petite TRV & Lockshield with drain off Pack, Nickel
Size:	15mm
Order Code:	PETPAK15ND



Description:	Straight Petite TRV & Lockshield Pack, Nickel
Size:	15mm
Order Code:	PETPAK15NS



Description:	TRV 2-WAY & Matchmaster Lockshield Pack, Chrome
Size:	10mm / 15mm
Order Code:	RADPAK

LST KITS


Description:	LST Close Coupled TRV Kit
Size:	15mm / 1/2" BSP
Order Code:	CCKTC



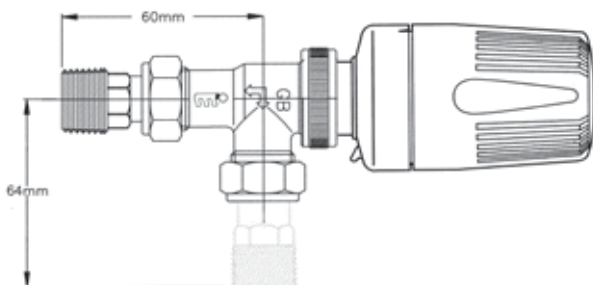
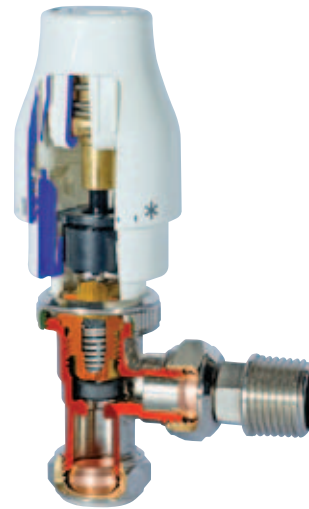
Description:	LST Direct Fit TRV Kit
Size:	15mm / 1/2" BSP
Order Code:	DirectFit

TRV 2 WAY


- Conforms to BS EN215-1.
- Maximum operating pressure 10 Bar.
- Maximum water temperature 120°C.
- Maximum differential pressure 0.6 Bar.
- Liquid Filled Sensing Element.
- Available in Chrome, Nickel or Brass finish.
- Hysteresis < 0.5°K.
- Frost setting 8°C.

Setting	○	*	I	II	III	IIII	•
Temp°C	off	8	12	16	20	24	28

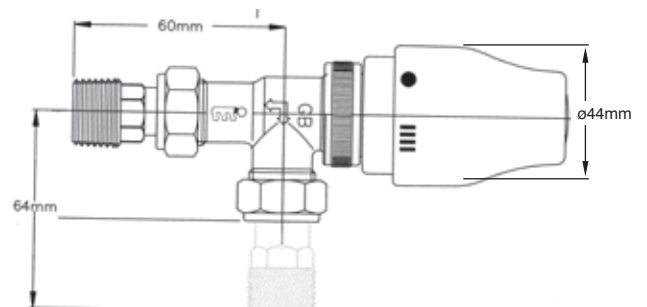
Manufactured to quality system BS EN ISO 9000:2000


PETITE


- Conforms to BS EN215-1.
- Maximum operating pressure 10 Bar.
- Maximum water temperature 120°C.
- Maximum differential pressure 0.6 Bar.
- Wax Filled Sensing Element.
- Available in Chrome or Nickel finish.
- Hysteresis < 0.5°K.
- Frost setting 8°C.

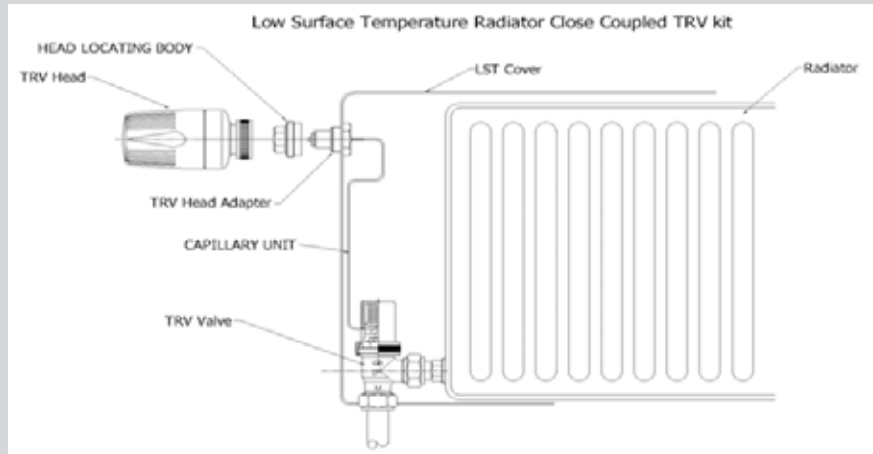
Setting	○	*	I	II	III	IIII	•
Temp°C	off	8	12	16	20	24	28

Manufactured to quality system BS EN ISO 9000:2000

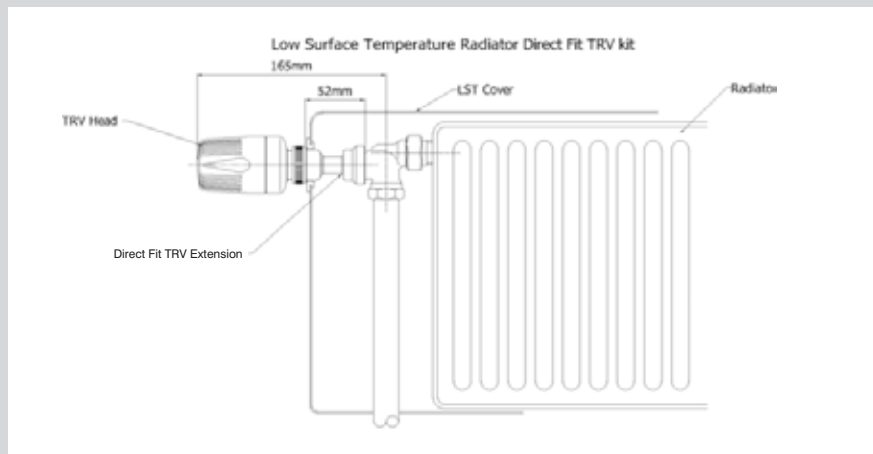
DIMENSIONS


MYSON LST KIT INSTALLATION ARRANGEMENT
Close Couple Kit (CCKT)
List of contents

- TRV Head.
- Head locating body.
- Capillary unit. 1.8m
- TRV 15mm/½" BSP valve body.
- Fullflow L/S 15mm/½" BSP valve.


MYSON LST KIT INSTALLATION ARRANGEMENT
Direct Fit Kit (DIRECT FIT)
List of contents

- TRV Head.
- TRV 15mm/½" BSP horizontal valve body.
- Extension adaptor.
- Matchmaster L/S 15mm/½" BSP valve.
- Plastic bush.


LST KIT REPLACEMENT PARTS



Description:	Replacement capillary for CCKTC 1.8metre
Order Code:	2TRVLSTCAP




Description:	Extended capillary for CCKTC 2.5metre
Order Code:	2TRVLSTCAP2.5



Description:	Replacement head locating body for CCKTC
Order Code:	2TRVLSTHLB



Description:	Nickel Vertical Angle
Size:	15mm/ 1/2"BSP
Order Code:	2TRV15AN




Description:	Nickel Vertical Angle
Size:	22mm/ 3/4"BSP
Order Code:	2TRV22AN



Description:	Nickel Straight
Size:	15mm/ 1/2"BSP
Order Code:	2TRV15SN



Description:	Nickel Straight
Size:	22mm/ 3/4"BSP
Order Code:	2TRV22SN




Description:	Nickel Horizontal Angle
Size:	15mm/ 1/2"BSP
Order Code:	2TRV15IN




Description:	Nickel TRV2-Way body
Size:	15mm
Order Code:	2TRVBON



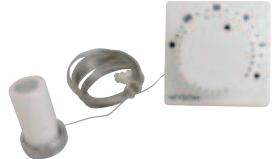
Description:	Chrome TRV2-Way body
Size:	15mm
Order Code:	2TRVBOC



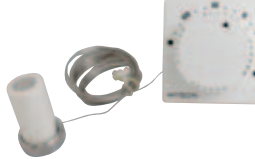
Description:	Remote Sensor 2m Capillary
Order Code:	2TRVRSHEAD2



Description:	Remote Sensor 5m Capillary
Order Code:	2TRVRSHEAD5



Description:	Remote adjuster 2m Capillary
Order Code:	2TRVADJHEAD2



Description:	Remote adjuster 5m Capillary
Order Code:	2TRVADJHEAD5



Description:	Petite TRV Head
Order Code:	PETTRVHEAD



Description:	Standard TRV 2-Way Head
Order Code:	2TRVHEAD



Description:	'Contract' TRV 2-Way Head
Order Code:	2TRVHEADCON




Description:	Impaired Dexterity TRV Head
Order Code:	2TRVHEADDEX



Description:	Theft Resistant Ring
Order Code:	Theft Ring



Description:	Theft Resistant Collar
Order Code:	2TRV COLLAR



Description:	Commissioning Cap
Order Code:	2TRVCAP

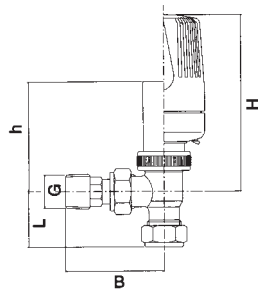


Description:	28 to 30mm Head Adaptor
Order Code:	2TRVADAP

Domestic TRV Body - GB Series

Angle body available in Chrome (2TRVBOC) or Nickel (2TRVBON), for 15mm, 10mm and 8mm copper connection. Kv 0.60.

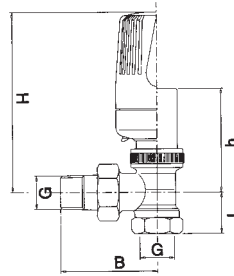
Series	Order Code	G	B	L	H*	h*
GB	2TRVBOC	½"	64	32	108	72
GB	2TRVBON	½"	64	32	108	72



Vertical Angle Body

Angle body available Nickel plated. ½" Kv 0.60 ¾" Kv 0.95 BSP Fitting.

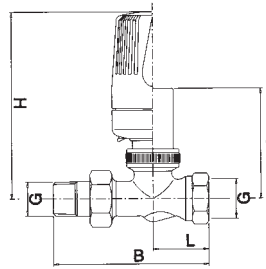
Series	Order Code	G	B	L	H*	h*
DN15	2TRV15AN	½"	58	26	109	75
DN20	2TRV22AN	¾"	66	29	111	87



Straight Body

Straight body available Nickel plated. ½" Kv 0.60 ¼" Kv 0.95 BSP Fitting.

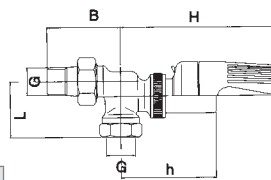
Series	Order Code	G	B	L	H*	h*
DN15	2TRV15SN	½"	95	33	113	77
DN20	2TRV22SN	¾"	106	37	116	80



Horizontal Angle Body

Horizontal angle body available Nickel plated. ½" Kv 0.60 BSP Fitting.

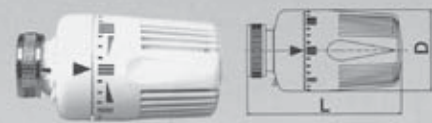
Series	Order Code	G	B	L	H*	h*
DN15	2TRV15IN	½"	53	37	115	79



The 2TRVA, 2TRVS and 2TRVI are certified EN 215 - HD 1215
 H* fitted with 2TRVHEAD or 2TRVRSHEAD
 h* fitted with 2TRVADJHEAD

P-Band (K)	Kv
1.5	.4
2	.6
2.5	.7
3	.8

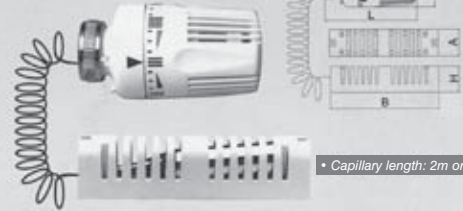
Standard TRV II head
 Order No.: 2TRVHEAD



Used when ambient temperature around the valve is close to the average room temperature.

D	L
50mm	90mm

Remote Sensor
 Order No.: 2TRVRSHEAD



• Capillary length: 2m or 5m

Used when the radiator is concealed by a panel, curtains etc.

A	B	D	H	L
28mm	112mm	50mm	28mm	90mm

Remote Adjuster
 Order No.: 2TRVADJHEAD

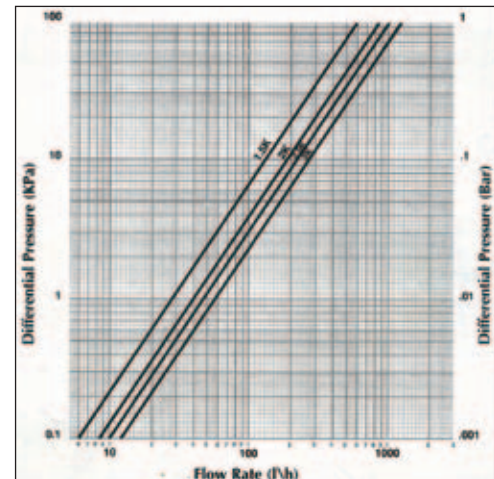


• Capillary length: 2m or 5m

Recommended where a standard TRV would be inaccessible.

A	B	D	L
53.5mm	32.5mm	80mm	80mm

FLOWRATE CHART FOR DN10 AND DN15 VALVES





Description:	Angle Chrome Handwheel
Size:	15mm / 1/2"
Order Code:	DEC15HAC



Description:	Angle Chrome Lockshield
Size:	15mm / 1/2"
Order Code:	DEC15LAC



Description:	Straight Chrome Wheelhead for Vertical mounting
Size:	15mm / 1/2"
Order Code:	DEC15HSVC



Description:	Straight Chrome Wheelhead for Horizontal mounting
Size:	15mm / 1/2"
Order Code:	DEC15HSHC



Description:	Straight Chrome Lockshield for Vertical mounting
Size:	15mm / 1/2"
Order Code:	DEC15LSVC



Description:	Straight Chrome Lockshield for Horizontal mounting
Size:	15mm / 1/2"
Order Code:	DEC15LSHC



Description:	Vertical Angle Polished Chrome TRV
Size:	15mm / 1/2"
Order Code:	2TRV15DEC



Description:	Polished Chrome TRV Head
Order Code:	2TRVHDDEC



Description:	Angle Body Polished Chrome
Size:	15mm / 1/2"
Order Code:	2TRV15ADEC



Description:	Polished Chrome Straight TRV
Size:	15mm / 1/2"
Order Code:	2TRV15STDEC



Description:	Polished Chrome Horizontal Angle TRV
Size:	15mm / 1/2"
Order Code:	2TRV15HIDEC



Description:	Polished Chrome Angle Combined LS & WH Manual Valve
Size:	15mm
Order Code:	DECSL15HAC



Description:	Polished Chrome Combined LS & WH Manual Valve Straight
Size:	15mm
Order Code:	DECSL15HSC



Description:	Petite Chrome Angle TRV
Size:	15mm
Order Code:	2TRVSL15DEC



Description:	Petite Chrome Straight TRV
Size:	15mm
Order Code:	2TRVSL15STDEC



Description:	Chrome Petite Radpak Angle TRV & Lockshield
Size:	15mm
Order Code:	PETPAK15DEC



Description:	Chrome Petite Radpak Straight TRV & Lockshield
Size:	15mm
Order Code:	PETPAK15DECS



Description:	Automatic By-Pass Valve Angle
Size:	22mm
Order Code:	ABV22



Description:	Automatic By-Pass Valve Straight
Size:	22mm
Order Code:	ABV22S



Description:	Extension Tail Chrome
Order Code:	EXTAIL C (Chrome finish)



Description:	Drain off Tails Brass or Chrome
Order Code:	Drain B (Brass finish) Drain C (Chrome finish)



Description:	Double check valve Nickel plated
Size:	15mm
Order Code:	DCV15C



Description:	Combination Boiler Filling Loop
Size:	15mm
Order Code:	COMBILOOP



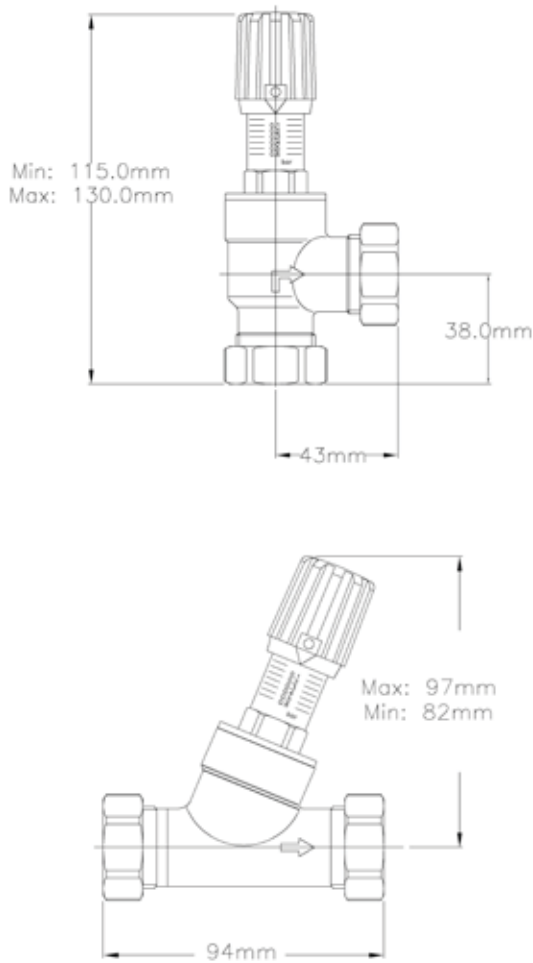
Description:	Thermostatic Cylinder Valve
Size:	22mm
Order Code:	TCV22



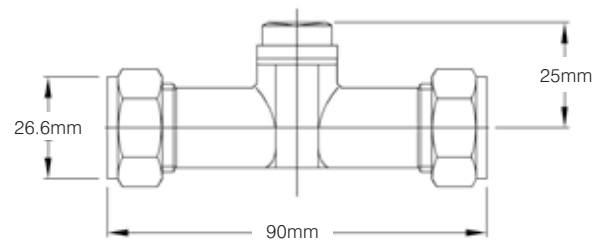
Description:	Stop Ends for Combi filling loop
Order Code:	STOPENDS



Description:	Pipe Reducers
Size:	15mm - 10mm, 15mm - 8mm
Order Code:	ADAP10 ADAP8

ABV AUTOMATIC BY-PASS VALVES

Specification

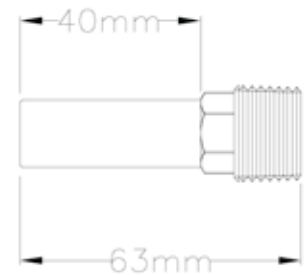
- Pipe size 22mm.
- Maximum static pressure 10 Bar.
- Maximum operating temperature 110°C Max.
- Setting range 0.1 - 0.6 Bar.
- Connections 22mm compression.

DCV DOUBLE CHECK VALVES

Specification

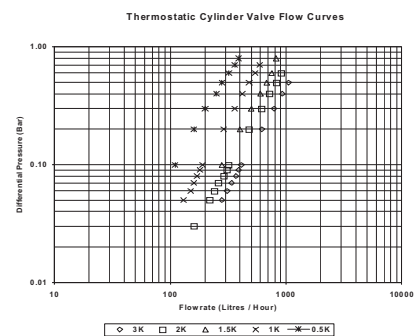
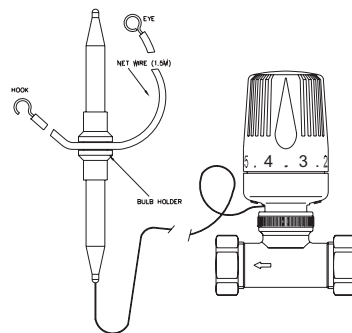
- Pipe size 15mm.
- Maximum operating pressure 10 Bar.
- Maximum water temperatures: Continuous 65°C.
Intermittent 90°C.
- Minimum opening pressures: 0.05 Bar.
- UK WFS listing: 9001016.

Material Specification

- Body DZR Copper Alloy.
- Test Plug DZR Copper Alloy.
- Valves WRC Approved Plastic.
- Springs Stainless Steel.

EXTENSION TAIL

TCV THERMOSTATIC CONTROL VALVES
Specification

- Pipe Size 22mm.
- Maximum operating pressure 10 Bar.
- Maximum water temperature 120°C.
- Maximum differential pressure 0.6 Bar.
- Hysteresis <0.5K.
- Setting range 37°C - 70°C.
- Liquid filled sensor element.
- Conforms to BS EN 215-1.





MYSON

MYSON Eastern Avenue, Team Valley, Gateshead, Tyne & Wear NE11 0PG
Sales Office 0845 402 3434, Sales Fax 0191 491 7568 www.myson.co.uk

In accordance with our policy of continual product improvement, we reserve the right to amend the specification of these products without prior notification.