

## Close coupled Doc M toilet pack, steel, concealed fixings



### Product details

<b>Warranty:</b>	See individual products
<b>Maximum load:</b>	See individual products
<b>Doc M compliant:</b>	Yes
<b>Suitable for wet areas:</b>	No

### Features

- Complies with Part M of the Building Regulations
- Inlet valve and syphon Reg 4 Certified (WRAS, NSF, Kiwa, etc.)
- Concealed fixing grab rails
- Optional TMV3 valve (F20-CCTX-MSC-\*\*)
- Optional Doc M push button (F20-CCPB-MSC-\*\*)
- Optional lockable cistern (F20-CCLX-MSC-\*\* & F20-CCTL-MSC)
- Universal - suitable for left or right-handed transfer
- Simple one box solution

### Finish options

**WH**

White  
RAL 9016

**DB**

Dark blue  
RAL 5011

**DG**

Dark grey  
RAL 7016

**GY**

Grey  
RAL 7005

### Product description

Close coupled Doc M toilet pack, steel, concealed fixings

Close coupled Doc M toilet pack, lockable cistern lid, steel, concealed fixings

Close coupled Doc M toilet pack, steel, concealed fixings, TMV3 valve

Close coupled Doc M toilet pack, lockable cistern lid, steel, concealed fixings, TMV3 valve

Close coupled Doc M toilet pack, steel, concealed fixings, push button

### Product code

F20-CCXX-MSC-\*\*

F20-CCLX-MSC-\*\*

F20-CCTX-MSC-\*\*

F20-CCTL-MSC-\*\*

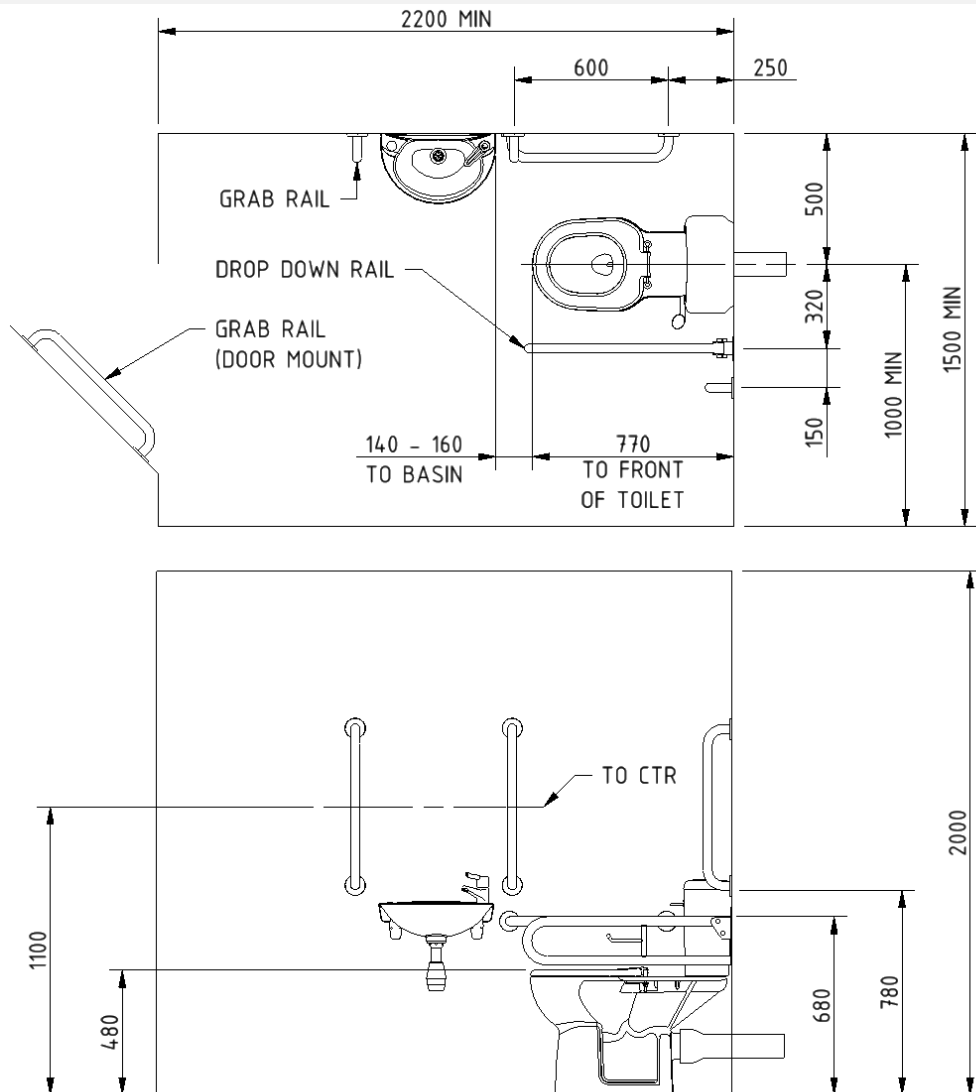
F20-CCPB-MSC-\*\*

Replace \*\* with finish option code above e.g., F20-CCXX-MSC-DB

## Pack contents

- 5 x 600mm coated steel grab rails with concealed fixings
- 1 x 800mm coated steel hinged support rail with toilet roll holder
- 1 x Close coupled rimless Doc M pan
- 1 x Close coupled cistern (optional lockable lid – F20-CCLX-MSC-\*\* & F20-CCTL-MSC-\*\* only)
- 1 x Close coupled cistern fittings and Doc M spatula lever (optional Doc M push button - F20-CCPB-MSC-\*\* only)
- 1 x Ring only toilet seat
- 1 x Two tap hole basin
- 1 x Sequential basin mixer tap
- 1 x Tap hole stopper
- 1 x Basin waste
- 1 x TMV3 Valve (F20-CCTX-MSC-\*\* and F20-CCTL-MSC-\*\* only)

## Dimensions (mm)



## Disclaimer

NYMAS Group makes every effort to ensure that the information provided on this data sheet is correct. However, we cannot guarantee this, and accept no liability for any information or advice given on this data sheet.

## Close coupled rimless Doc M pan



### Product details

<b>Warranty:</b>	Lifetime
<b>Maximum load:</b>	400 kg
<b>Doc M compliant:</b>	Yes
<b>Suitable for wet areas:</b>	Yes

### Features

- Extended projection to comply with Part M of the Building Regulations
- Rimless design for ease of cleaning
- Comfort height to allow easier side transfer from wheelchair
- UKCA & CE compliant
- Ceramic body

### Finish options

**WH**

White  
RAL 9016

### Product description

Close coupled rimless Doc M pan

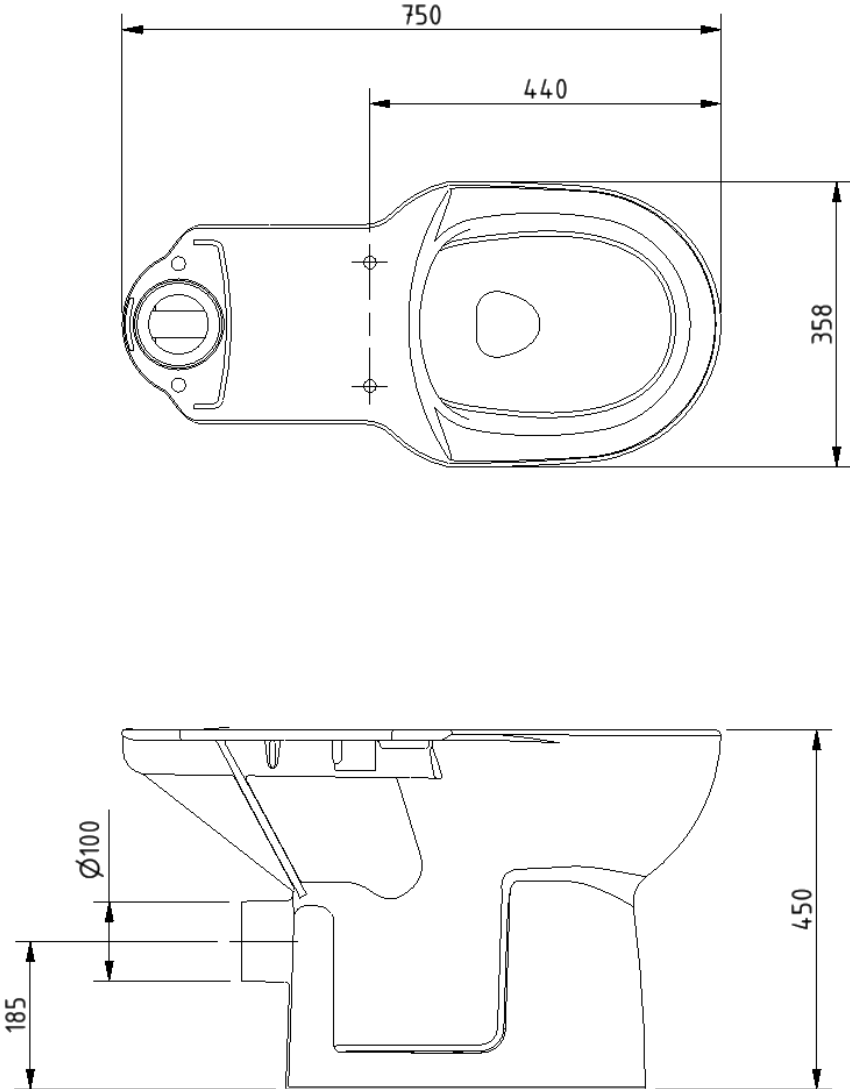
### Product code

NY01-PANCC02-WH

### Disclaimer

NYMAS Group makes every effort to ensure that the information provided on this data sheet is correct. However, we cannot guarantee this, and accept no liability for any information or advice given on this data sheet.

Dimensions (mm)



## Close coupled minimal cistern tank



### Product details

<b>Warranty:</b>	Lifetime
<b>Max rated load:</b>	n/a
<b>Doc M compliant:</b>	Yes
<b>Suitable for wet areas:</b>	Yes

### Features

- Modern minimal design
- Complies with Part M of the Building Regulations
- UKCA & CE compliant
- Suitable for front lever
- Bottom inlet
- Universal - either left or right handed
- Lockable lid option

### Finish options

**WH**

White  
RAL 9016

### Product description

Minimal close coupled cistern, white

Minimal close coupled cistern with lockable lid, white

### Product code

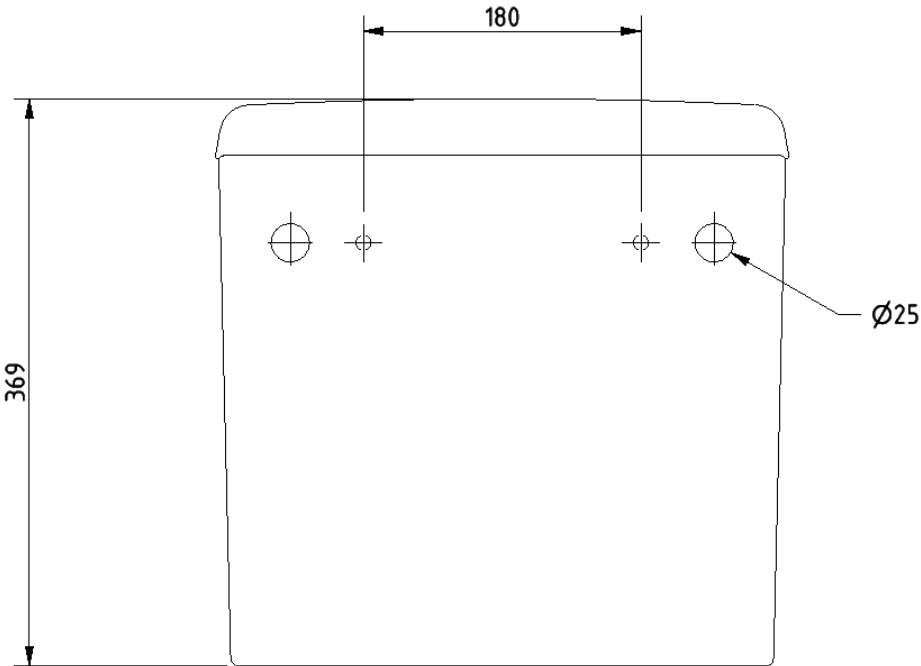
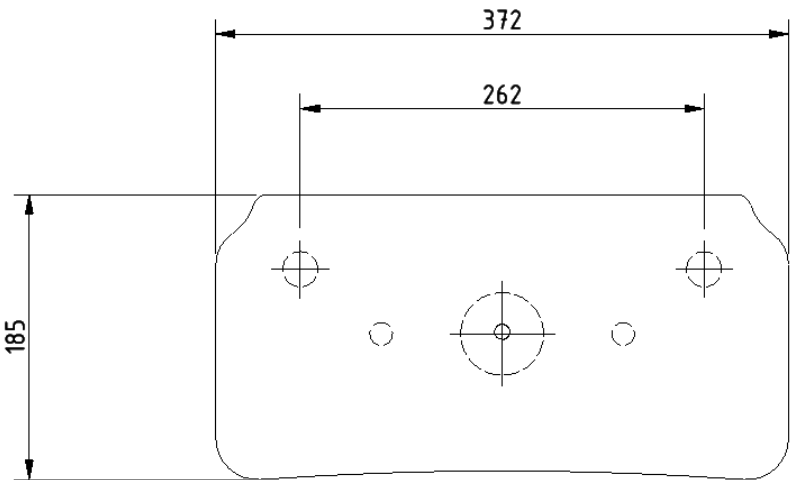
BWCISTCC-SAN

BWCISTCC/LC-SAN

### Disclaimer

NYMAS Group makes every effort to ensure that the information provided on this data sheet is correct. However, we cannot guarantee this, and accept no liability for any information or advice given on this data sheet.

## Dimensions (mm)



## Cistern fitting pack for close coupled rimless pan



### Product details

<b>Warranty:</b>	2 years
<b>Max rated load:</b>	n/a
<b>Doc M compliant:</b>	Yes
<b>Suitable for wet areas:</b>	Yes

### Features

- Inlet valve and syphon Reg 4 Certified (WRAS, NSF, Kiwa, etc.)
- Can provide both full and half flush
- Doc M spatula lever to provide easy operation for users with limited dexterity
- 6 litre flush

### Product description

Cistern fitting pack for close coupled rimless pan, includes lever and basin waste

### Product code

SANCCPK-4

### Pack contents

- 1 x Inlet valve
- 1 x Syphon
- 1 x Doc M spatula lever
- 2 x Cistern blanking plugs
- 1 x Close coupled fixing bolts
- 1 x Tap hole stopper
- 1 x Basin waste

### Disclaimer

NYMAS Group makes every effort to ensure that the information provided on this data sheet is correct. However, we cannot guarantee this, and accept no liability for any information or advice given on this data sheet.

## Ring only toilet seat



### Product details

Warranty:	2 years
Maximum load:	n/a
Doc M compliant:	Yes
Suitable for wet areas:	Yes

### Features

- Complies with Part M of the Building Regulations
- Anti-bacterial, strong and durable seat
- Ergonomic and comfortable shape
- Dedicated moulded buffers for best stability
- Strong stainless steel hinge
- Fits pan NY01-PANCC02-WH (Only compatible with this pan)

### Finish options



Dark blue  
RAL 5011



Dark grey  
RAL 7016



Grey  
RAL 7005



White  
RAL 9016

### Product description

Toilet seat, ring only, stainless steel hinge, dark blue (RAL 5011)  
 Toilet seat, ring only, stainless steel hinge, dark grey (RAL 7016)  
 Toilet seat, ring only, stainless steel hinge, grey (RAL 7005)  
 Toilet seat, ring only, stainless steel hinge, white (RAL 9016)

### Product code

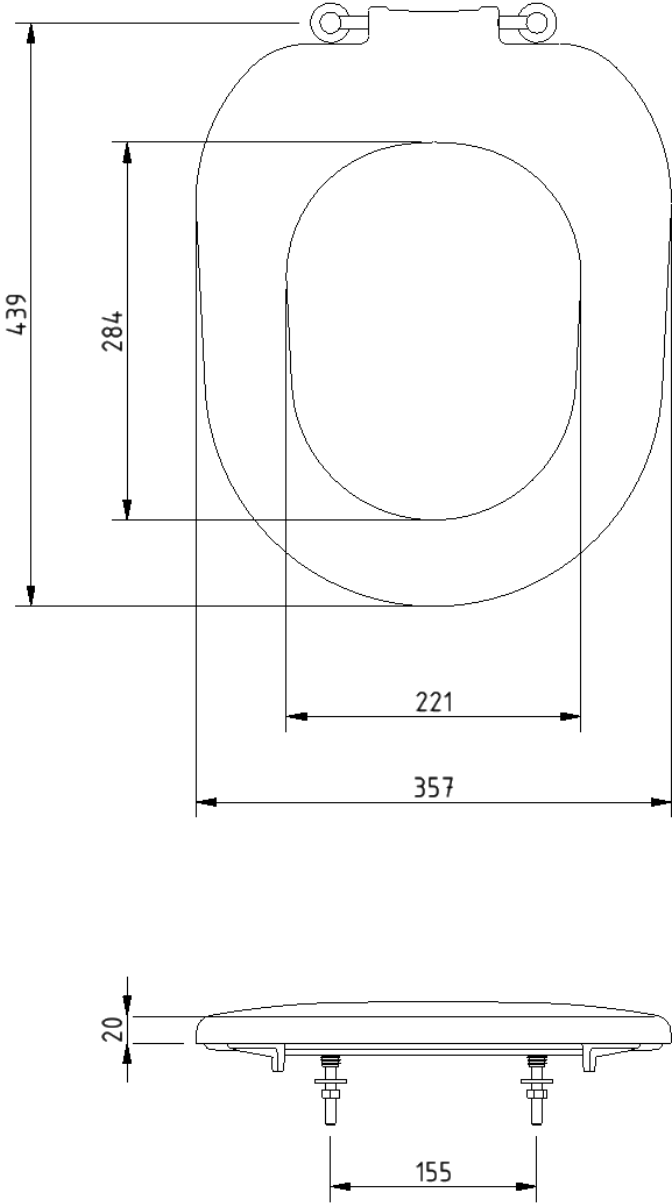
NY01-SEAT03-DB  
 NY01-SEAT03-DG  
 NY01-SEAT03-GY  
 NY01-SEAT03-WH

### Disclaimer

NYMAS Group makes every effort to ensure that the information provided on this data sheet is correct. However, we cannot guarantee this, and accept no liability for any information or advice given on this data sheet.



**Dimensions (mm)**



## Compact Doc M basin



### Product details

<b>Warranty:</b>	Lifetime
<b>Max rated load:</b>	n/a
<b>Doc M compliant:</b>	Yes
<b>Suitable for wet areas:</b>	Yes

### Features

- Two tap holes for left or right handed configuration
- Compact design to maximise space for a wheelchair user
- Complies with Part M of the Building Regulations
- No overflow

Does not come with wall fixings (P-000248-X00X)

## Finish options

**WH**

White  
RAL 9016

## Product description

Compact Doc M basin, two tap holes, no overflow, white

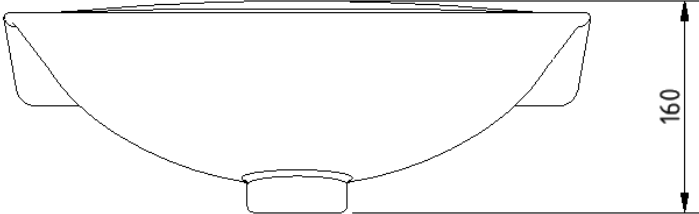
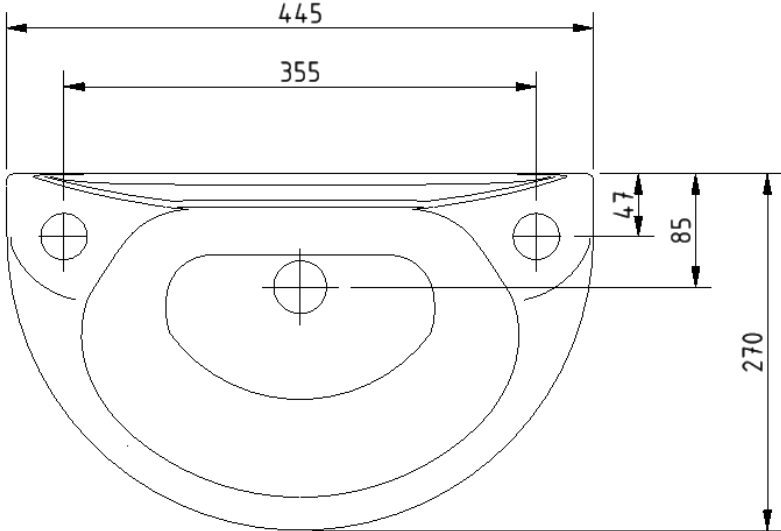
## Product code

NY01-SW-00120-WH

## Disclaimer

NYMAS Group makes every effort to ensure that the information provided on this data sheet is correct. However, we cannot guarantee this, and accept no liability for any information or advice given on this data sheet.

Dimensions (mm)



## Polished chrome sequential basin mixer tap



### Product details

<b>Warranty:</b>	2 years
<b>Max rated load:</b>	n/a
<b>Doc M compliant:</b>	Yes
<b>Suitable for wet areas:</b>	Yes
<b>Flexi tap tail connection (to tap body):</b>	M10 Thread
<b>Flexi tap tail (onward connection):</b>	3/4 Inch Diameter Thread

### Features

- Reg 4 Certified (WRAS, NSF, Kiwa, etc.)
- Easy operation for users with limited dexterity
- Cold start

### Finish options



Polished chrome

### Product description

Sequential basin mixer tap, polished chrome

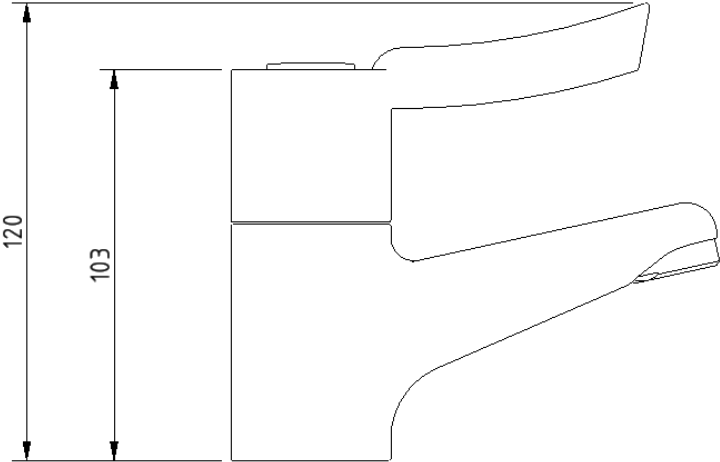
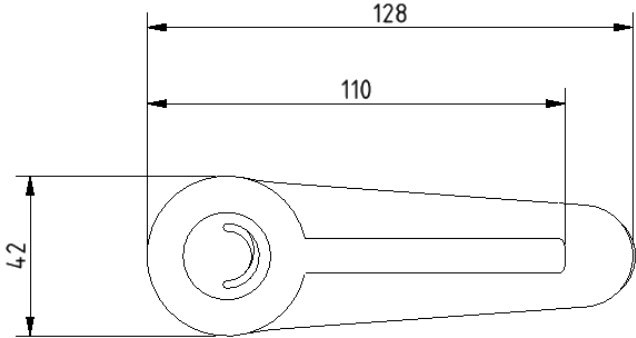
### Product code

BPLMON

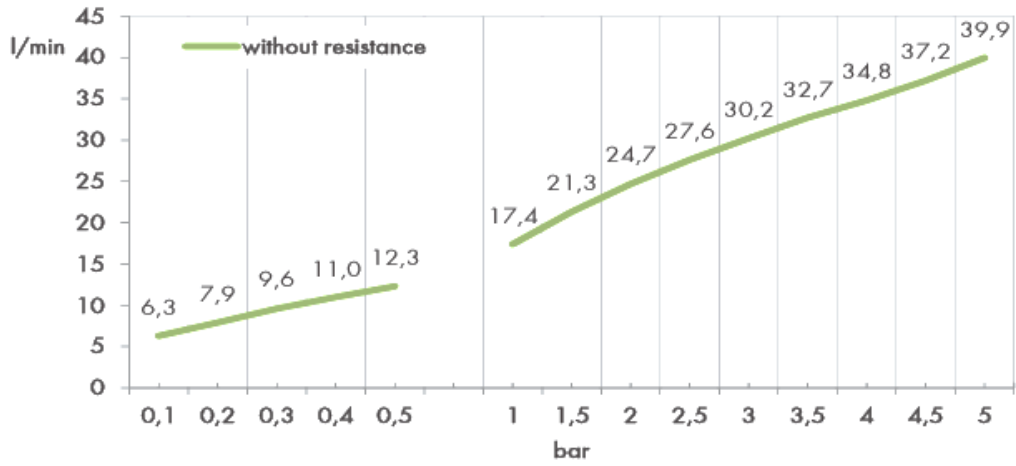
### Disclaimer

NYMAS Group makes every effort to ensure that the information provided on this data sheet is correct. However, we cannot guarantee this, and accept no liability for any information or advice given on this data sheet.

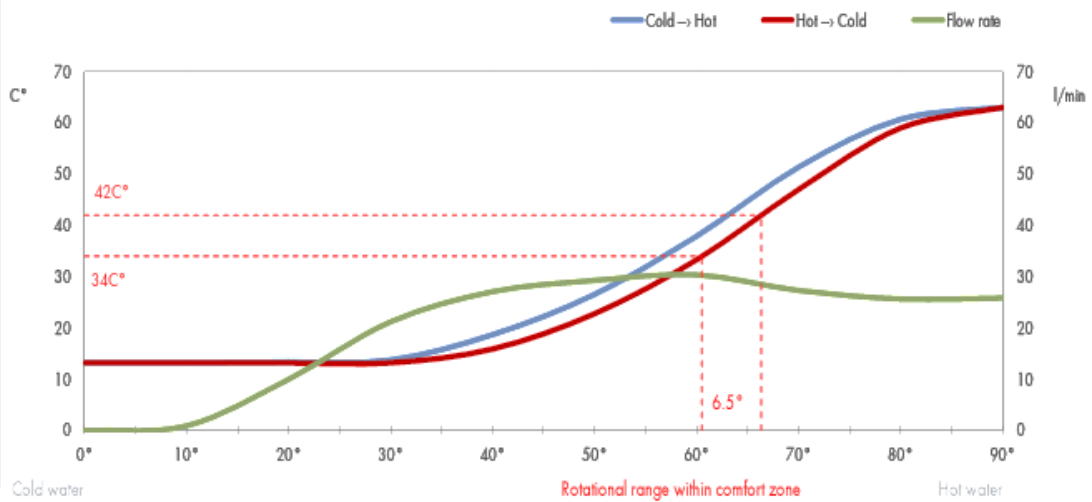
**Dimensions (mm)**



## FLOW RATE CURVE



## FLOW RATE & HYSTERESIS CURVES



## Basin hanging brackets



### Product details

**Warranty:** 2 years

**Max rated load:** n/a

**Doc M compliant:** n/a

**Suitable for wet areas:** No

### Features

- Basin hanging brackets for compact Doc M basin (NY01-SW-00120-WH)
- Strong steel construction

### Product description

Basin hanging brackets

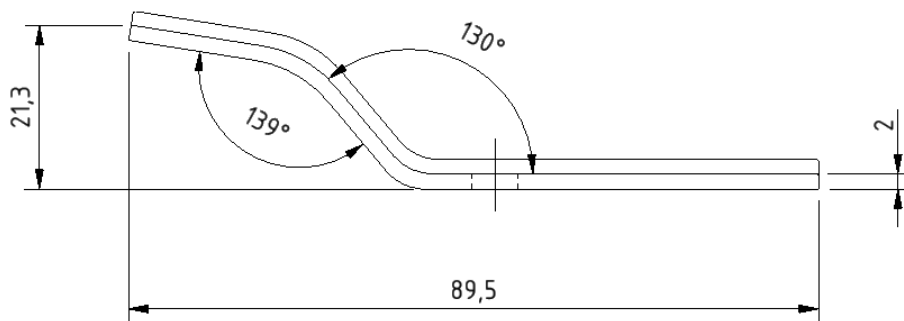
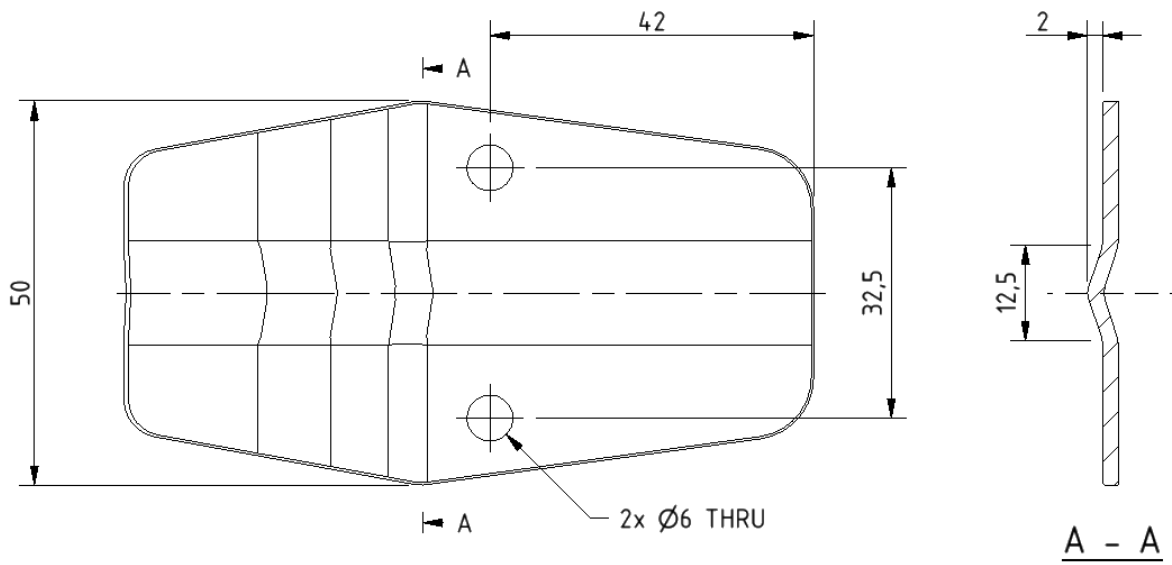
### Product code

P-000248-X00X

### Disclaimer

NYMAS Group makes every effort to ensure that the information provided on this data sheet is correct. However, we cannot guarantee this, and accept no liability for any information or advice given on this data sheet.

## Dimensions (mm)





## Round flange steel grab rail with exposed fixings, 35mm diameter tube



### Product details

Warranty:	2 years
Max rated load:	200 kg
Doc M compliant:	Yes
Suitable for wet areas:	No

### Features

- Complies with Part M of the Building Regulations
- Robust steel construction
- Durable epoxy polyester coated finish

### Finish options



**WH**

White  
RAL 9016



**DB**

Dark blue  
RAL 5011



**DG**

Dark grey  
RAL 7016



**GY**

Grey  
RAL 7005

### Product description

Round flange grab rail, steel, exposed fixings, 35mm diameter, 305mm  
 Round flange grab rail, steel, exposed fixings, 35mm diameter, 455mm  
 Round flange grab rail, steel, exposed fixings, 35mm diameter, 610mm  
 Round flange grab rail, steel, exposed fixings, 35mm diameter, 900mm

### Product code

GR-12/35/\*\*  
 GR-18/35/\*\*  
 GR-24/35/\*\*  
 GR-36/35/\*\*

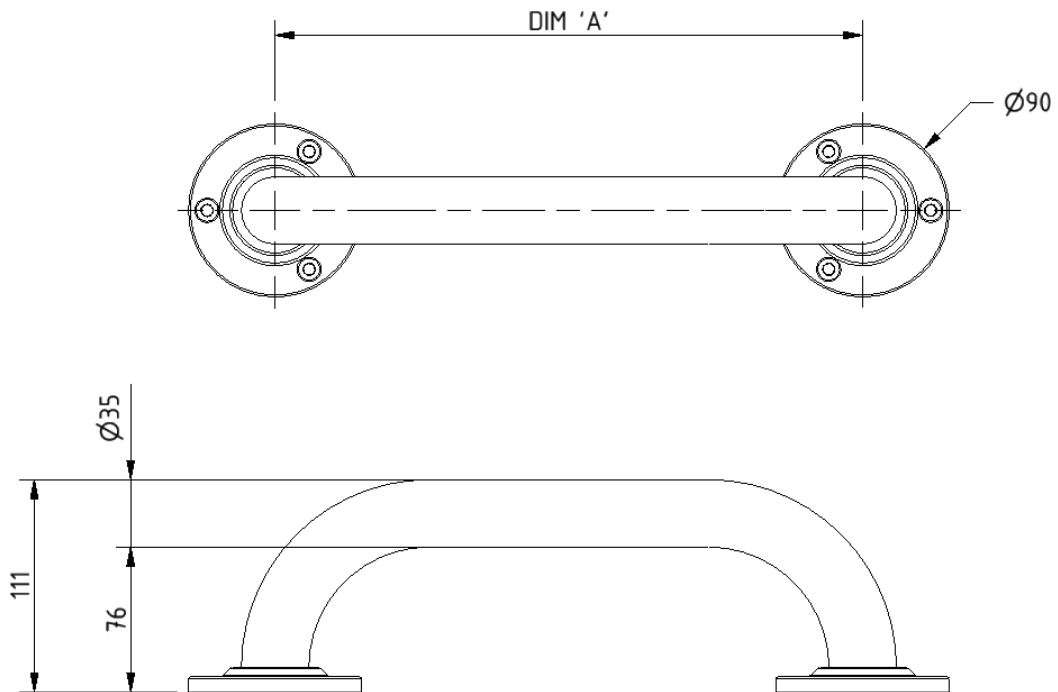
Replace \*\* with finish option code above e.g., GR-18/35/DB

**Note:** GR-12/35 is only available in WH finish

### Disclaimer

NYMAS Group makes every effort to ensure that the information provided on this data sheet is correct. However, we cannot guarantee this, and accept no liability for any information or advice given on this data sheet.

## Dimensions (mm)



PRODUCT CODE	GR-12/35/**	GR-18/35/**	GR-24/35/**	GR-36/35/**
DIM 'A'	305	455	610	900

## Lift and lock steel hinged support rail with toilet roll holder



### Product details

<b>Warranty:</b>	2 years
<b>Max rated load:</b>	115 kg
<b>Doc M compliant:</b>	Yes (800mm variant only)
<b>Suitable for wet areas:</b>	No

### Features

- Lift and lock folding mechanism
- Integral toilet roll holder
- Robust steel construction
- Durable epoxy polyester coating
- Complies with Part M of the Building Regulations (800mm variant only)

### Finish options

**WH**

White  
RAL 9016

**DB**

Dark blue  
RAL 5011

**DG**

Dark grey  
RAL 7016

**GY**

Grey  
RAL 7005

### Product description

Trombone lift and lock hinged support rail, steel, toilet roll holder, 550mm  
Trombone lift and lock hinged support rail, steel, toilet roll holder, 800mm

### Product code

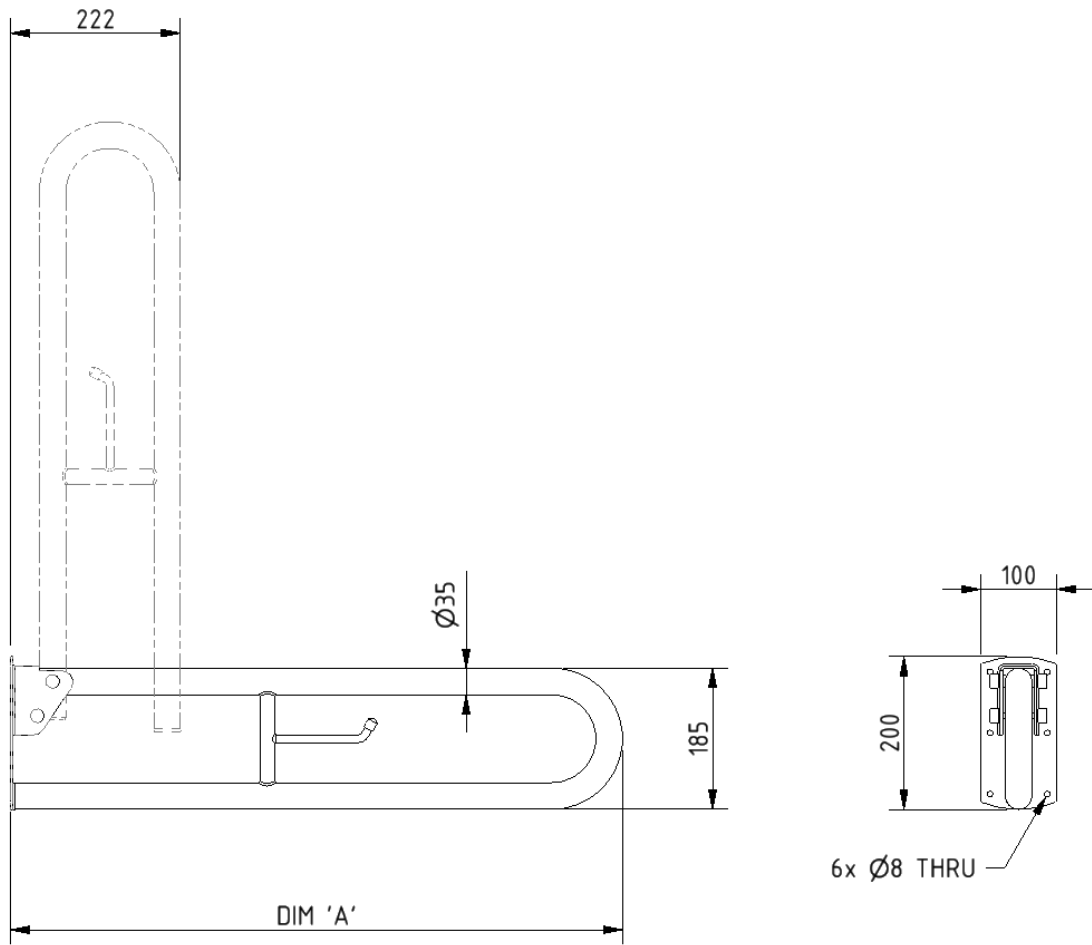
112055/\*\*  
DDGR-B/\*\*

Replace \*\* with finish option code above e.g., DDGR-B/DB

### Disclaimer

NYMAS Group makes every effort to ensure that the information provided on this data sheet is correct. However, we cannot guarantee this, and accept no liability for any information or advice given on this data sheet.

## Dimensions (mm)



PRODUCT CODE	112055/**	DDGR-B/**
DIM 'A'	550	800

## TMV3 inline thermostatic mixing valve



### Product details

<b>Warranty:</b>	2 years
<b>Max rated load:</b>	n/a
<b>Doc M compliant:</b>	Yes
<b>Suitable for wet areas:</b>	Yes

### Features

- TMV3 approved & Reg 4 Certified (WRAS, NSF, Kiwa, etc.)
- Complies with Part M of the Building Regulations
- Building Regulations Part G compliant
- Highly resistant to scaling
- Anti-tamper proof head

### Finish options



**CP**

Polished  
chrome

### Product description

TMV3 inline thermostatic mixing valve - 15mm

### Product code

BPLTMV

### Disclaimer

NYMAS Group makes every effort to ensure that the information provided on this data sheet is correct. However, we cannot guarantee this, and accept no liability for any information or advice given on this data sheet.

Dimensions (mm)

