



Basin With Pedestal

Instructions



Parts Supplied

Ref	Description	Illustration	Qty
A	Basin		1
B	Pedestal		1

Fixings Required

- Suitable fixings for wall type

Tools Required

- Adjustable spanner
- Drill
- Suitable drill bit
- Pencil
- Spirit level
- Bathroom grade sealant and gun

Safety information

- Vitreocushinais fragile and should be handled with care.

Before you start

- Check the pack and make sure you have all the parts listed above. If not, contact your vendor, who will be able to help you.
- When you are ready to start, make sure that you have the right tools to hand, plenty of space and a clean, dry area for assembly.
- Ensure that the water feed and waste connection points are positioned appropriately for the installation.
- Please note: always ensure that the wall fixings are correct for the wall. Plasterboard or stud walls may require specialised fixing.
- Caution: care should always be taken when drilling into walls and floors to avoid any sunken wires or pipes.
- Please note: although these instructions are comprehensive, it is always recommended that a technically competent installer should undertake installation.

Assembly of the basin

1. Fit the taps and waste fittings to the basin in accordance with the instructions provided.
2. Place the basin (A) on the pedestal (B) close to the wall and gently manoeuvre into the final installation position. Ensure that the basin is level using a spirit level and is flush against the wall. (see **Fig. 1**).

From the underside of the basin, mark the position of the fixing holes on the wall (see **Fig. 2**). Remove the basin and pedestal from their position in the room.

3. Using a suitable drill bit, drill two holes in the positions marked.

Caution: care should be taken when drilling into walls and floors to avoid any sunken wires or pipes.

4. Place the basin and pedestal back into position. Secure the basin to the wall using suitable fixings, making sure that the basin is level and fixed firmly. Do not overtighten the fixings, as this may damage the basin.
5. The basin is now ready for connection to a water supply and waste system. When connected, check the brassware connections for leaks. Run a small amount of water in the basin and check all waste connections for leaks. Apply sealant using gun as and where required.

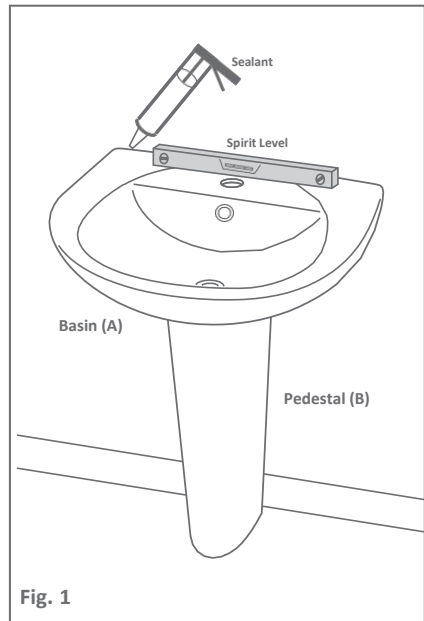


Fig. 1

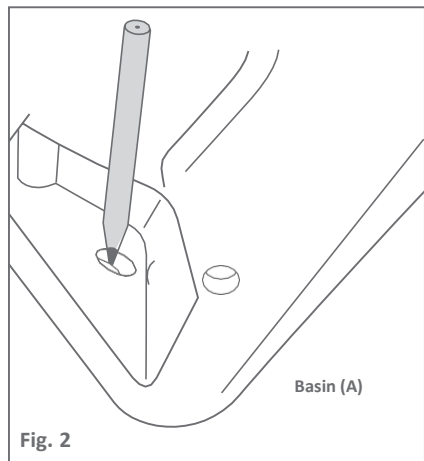


Fig. 2