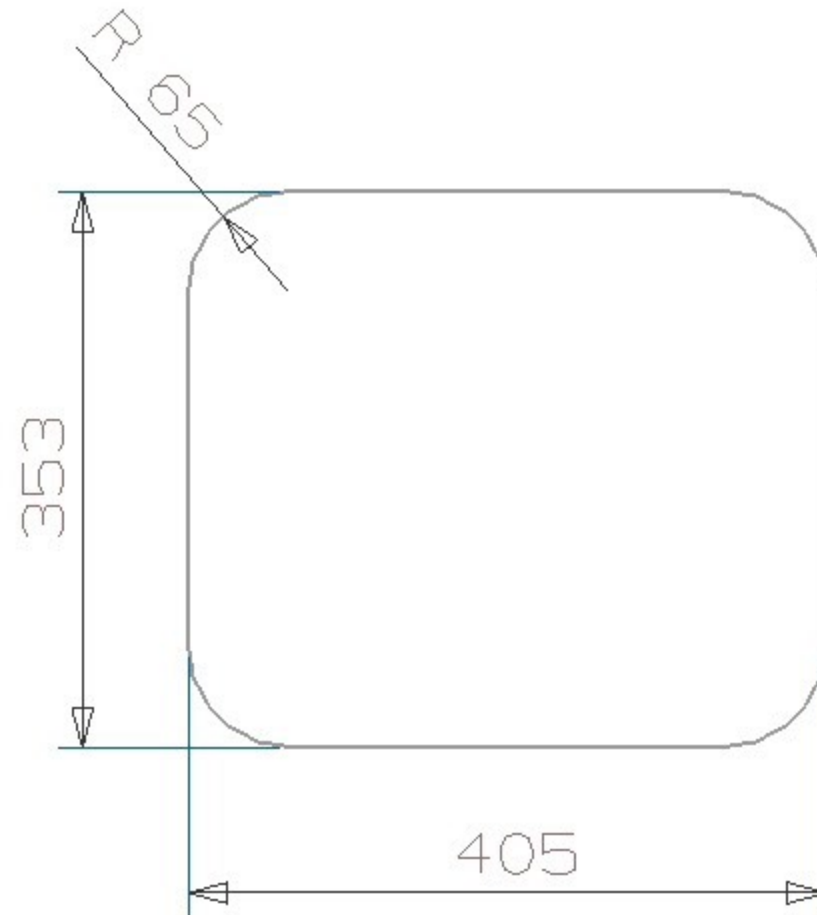


Colorado Undermount Cut Out Guide



Colorado
Uitsparing blad
onderbouw spoelbak
Ausssparung Platte
Unterbau Spule
Cut out worktop
underbuild sink

datum: 24-06-2009

Tolerantie buitenmaat per zijde $\pm 0.5\text{mm}$
Toleranz Aussenmasse pro Seite $\pm 0.5\text{mm}$
Per side the outside tolerance measure $\pm 0.5\text{mm}$

Check out our full range of Kitchen Products

Kitchen Sinks

Stainless Steel Kitchen Sinks

Granite Composite Kitchen Sinks

Glass Kitchen Sinks

Ceramic Kitchen Sinks

Franke Kitchen Sinks

Kitchen Taps

Contemporary Kitchen Taps

Traditional Kitchen Taps

Franke Kitchen Taps

Pull out Rinser Kitchen Taps

Instant Boiling Water Taps

Insinkerator Waste Disposal Units

plumbworld
Big brands, small prices.