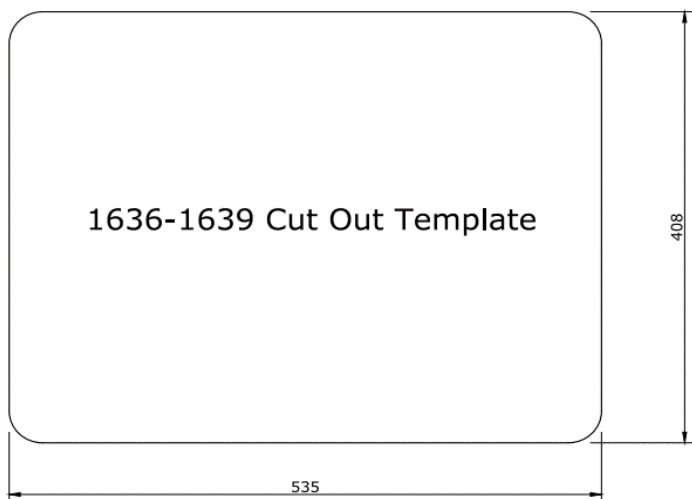
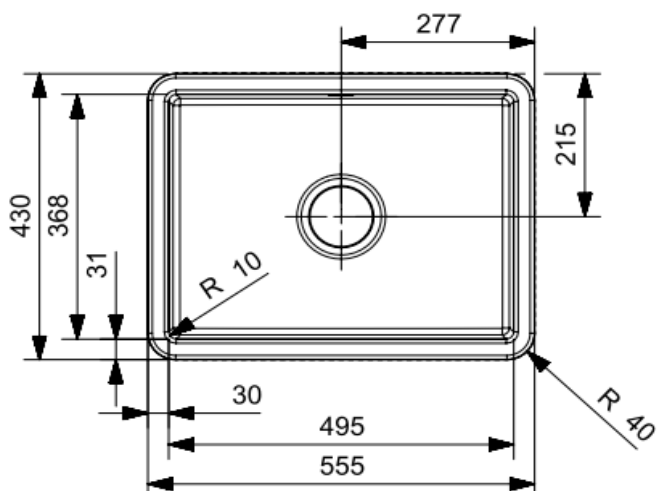


Technical Specification Sheet

MATARO II

1.0 ceramic sink



1636-1639 Cut Out Template

Specification

Material	Ceramic
Finish	Glossy
Colours	White
No. of bowls	1
Fitting Method	Undermount / Inset
Handing Options	Not Reversible
Cabinet Size (mm)	600
Overall Length (mm)	555
Overall Width (mm)	430
Main Bowl Length (mm)	495
Main Bowl Width (mm)	370
Main Bowl Depth (mm)	195
Second Bowl Length (mm)	N/A
Second Bowl Width (mm)	N/A
Second Bowl Depth (mm)	N/A
Tap Hole Size (mm)	N/A
Tap Hole Instructions	N/A
Waste Kit Included (Yes/No)	Yes
Clips & Seals Included (Yes/No)	N/A
Waste Size (mm)	90
Waste Kit Code	
Clips & Seals Code	N/A
Overflow Location	In main bowl
Cut Out Length, UM (mm)	495
Cut Out Width, UM (mm)	370
Product Weight (kg)	21
Packed Weight (kg)	23
Packed Dimensions (mm)	670x280x550
EAN number	8712465038277

Warranty

10 years on manufacturing | 1 years serviceable parts warranty (waste kit, clips & seals)

Care & Maintenance

Use warm soapy water to clean/maintain sink | Never use any abrasive chemicals/cleaning products on the surface of the sink as this will invalidate the warranty if used.