

Technical Specification Sheet

RL 301 CW II

CT115T1000

1.5 Bowl ceramic sink with drainer

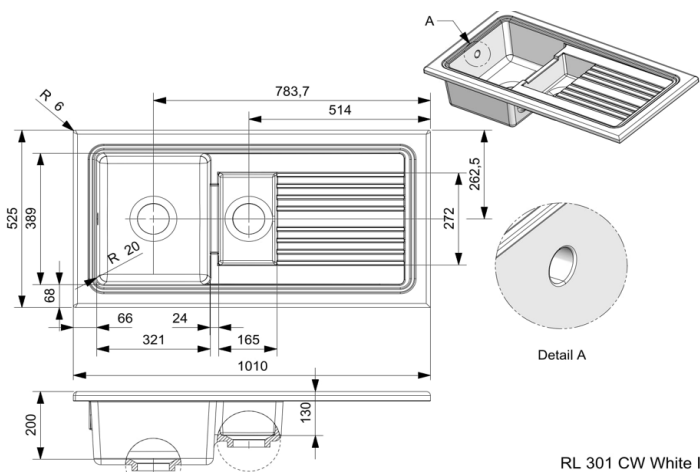


REGINOX

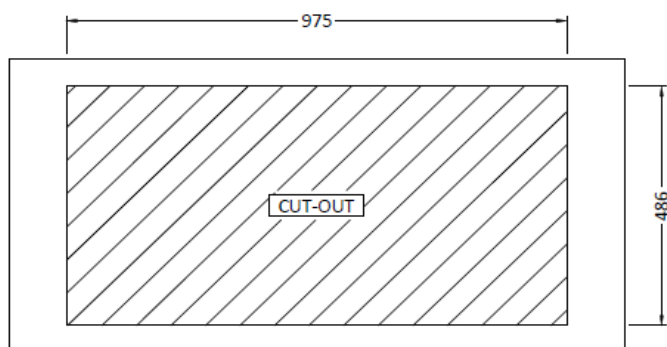


Specification

Material	Ceramic
Finish	Glossy
Colours	White
No. of bowls	1.5
Fitting Method	Inset Only
Handing Options	Reversible
Cabinet Size (mm)	600
Overall Length (mm)	1010
Overall Width (mm)	525
Main Bowl Length (mm)	321
Main Bowl Width (mm)	389
Main Bowl Depth (mm)	200
Second Bowl Length (mm)	162
Second Bowl Width (mm)	270
Second Bowl Depth (mm)	130
Tap Hole Size (mm)	35 (Pre-drilled under sink)
Tap Hole Instructions	knock down from the top side with centre pin punch
Waste Kit Included (Yes/No)	Yes
Clips & Seals Included (Yes/No)	N/A
Waste Size (mm)	90
Waste Kit Code	RL II WASTE INC O/F + RL II WASTE NO O/F
Clips & Seals Code	N/A
Overflow Location	In main bowl
Cut Out Length (mm)	975
Cut Out Width (mm)	486
Product Weight (kg)	37
Packed Weight (kg)	40.1
Packed Dimensions (mm)	1450x550x265
EAN number	658556023228



RL 301 CW White II



Additional information

Tolerance level is +/- 5mm due to the Fireclay process.

Warranty

10 years on manufacturing | 1 years serviceable parts warranty (waste kit, clips & seals)

Care & Maintenance

Use warm soapy water to clean/maintain sink | Never use any abrasive chemicals/cleaning products on the surface of the sink as this will invalidate the warranty if used.