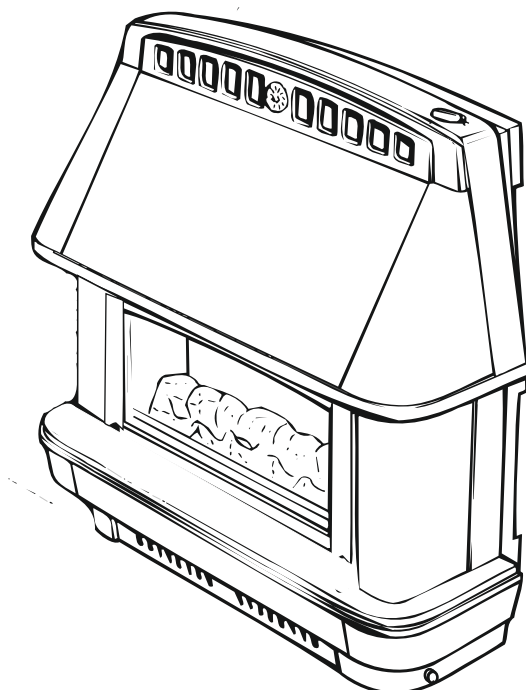


ROBINSON WILLEY

THE HOTTEST NAME IN HEATING

FIRECHARM LF ELECTRONIC



RADIANT/CONVECTOR GAS FIRE

BRONZE (G.C. No. 32 689 32)

BLACK (G.C. No. 32 689 33)

Installation, Servicing and Operating Instructions

**THIS APPLIANCE IS FOR USE WITH NATURAL GAS ONLY
IT MUST NOT BE USED WITH ANY OTHER TYPE OF GAS
THIS APPLIANCE MUST BE INSTALLED IN ACCORDANCE WITH THE RULES IN FORCE**

(Cat I_{2H} G20 at 20mbar Supply Pressure)
For GB & IE only

***THIS LEAFLET IS INTENDED TO HELP YOU UNDERSTAND AND USE YOUR NEW FIRE EFFICIENTLY.
PLEASE READ THESE INSTRUCTIONS BEFORE USING THE FIRE AND KEEP FOR FUTURE REFERENCE.***

Robinson Willey
Firecharm and Sahara Live Fuel Effect Gas Fires

The efficiency of this appliance has been measured as specified in BS 7977-1:2002 and the result is 79.4%. The gross calorific value of the fuel has been used for this efficiency calculation. The test data from which it has been calculated has been certified by Notified Body No. 2797. The efficiency value may be used in the UK Government's Standard Assessment Procedure (SAP) for energy rating of dwellings.

The above exceeds the minimum requirement of 63%.

INTRODUCTION

The FIRECHARM is a glass fronted radiant/convector fire with live coal effect. The outer case is finished in either black or bronze. The control and burner systems are designed to give varying decorative flames at different settings. Ignition is by battery spark generator operated by turning and pressing the control knob. The fire is fitted with combined flame supervision and oxygen depletion monitoring device. The fire may be hearth or wall mounted and is suitable for installation to brick chimneys, pre-cast flues or proprietary metal flues/flue boxes conforming to BS 715. The fire is for use on Natural Gas only.

GAS SAFETY (INSTALLATION AND USE) REGULATIONS.

It is the law that all gas appliances are installed by competent persons, i.e. Gas Safe registered Engineer, in accordance with these installation instructions, all the relevant parts of the local and national Building Regulations and all recommendations of the following British Standard Codes of Practice:

1. BS 5871 : Part 1
2. BS 5440 : Part 1 (Flues)
3. BS 5440 : Part 2 (Air Supply)
4. BS 715 & BS EN 1856
5. BS 6891
6. BS EN 1858 (and older pre-cast flues to BS : 1289 : 1975, BS 1289 : Part 1 : 1986 and BS 1289 : Part 2 : 1989)
7. The Building Regulations issued by the Department of Environment and the Building Standards (Scotland) (Consolidation) Regulations issued by the Scottish Development Department.
8. Any other relevant British Standard Code of Practice and/or Local Building Regulations, or in accordance with the rules in force.

NOTE: Purpose built ventilation is not normally necessary in G.B. It is required in I.E., where the installation must be in accordance with IS 813.

This product uses fuel effect pieces containing Refractory Ceramic Fibre (RCF), which are man-made vitreous silicate fibres. Excessive exposure to these materials may cause temporary irritation to eyes, skin and respiratory tract, consequently, it makes sense to take care when handling these articles to ensure that the release of dust is kept to a minimum.

To ensure that the release of fibres from these RCF articles is kept to a minimum, during installation and servicing we recommend cleaning should be carried out in a well-ventilated area or in the open air, by gently brushing with the pieces held away from your face so that you avoid inhaling the dust. We do not recommend the use of a normal domestic vacuum cleaner, which may blow dust back into the air. *If a vacuum cleaner is recommended for use by your organisation, you must use a HEPA filtered vacuum to remove any dust and soot accumulated in and around the fire before and after working on the fire.* When replacing these articles we recommend that the replaced items are not broken up, but are sealed within heavy duty polythene bags, clearly labeled as RCF waste. This is not classified as "hazardous waste" and may be disposed of at a tipping site licensed for the disposal of industrial waste. Protective clothing is not required when handling the articles, but we recommend you follow the normal hygiene rules of not smoking, eating or drinking in the work area and always wash your hands before eating or drinking.

SPECIFICATIONS

1.0 TECHNICAL DATA

1.1 OVERALL DIMENSIONS (mm)

Height	635
Width	650
Depth	261
Height to top of flue spigot	495

1.2 HEAT INPUT/OUTPUT (GROSS)

Maximum input	5.57kW	19000 Btu/h
Maximum output	4.4kW	15012 Btu/h
Minimum input	1.55kW	5289 Btu/h
Minimum output	0.83kW	2822 Btu/h

Setting Pressure (Full on)

Cold	17.0 mbar \pm 1 6.8in w.g. \pm 0.4
------	---

Supply Pressure	20 mbar 8in w.g.
-----------------	---------------------

1.3 BURNER - Aerated Duplex Burner

Aeration Adjustment - None

Injector (2 off) - Cat 77/200

Ignition - Battery Spark Generator

Control Tap - RW SP822240

1.4 SETTING - OFF, 7, 1, 2, 3, AND 4.

1.5 WEIGHT (Packed) - 23.5kg 51.7lb

Fig. 1A

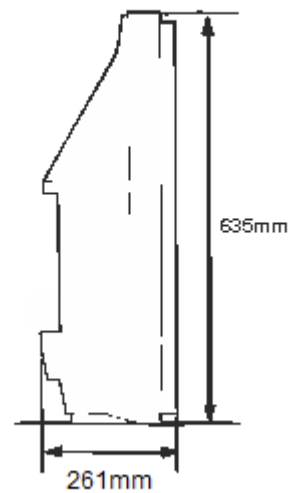
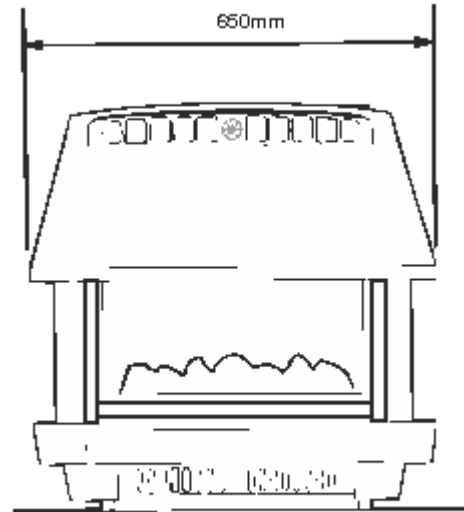


Fig. 1B

SITE REQUIREMENTS

2.0 SITE REQUIREMENTS

2.1 THE FIREPLACE AND SURROUND

The fireplace must be of non-combustible material having an opening size to the dimensions shown in Fig. 3A for Hearth Mounting and Fig 3B for Wall Mounting respectively. It is IMPORTANT that there is no combustible material or cladding in the vertical flat area shown in dotted lines in Figs. 3A and 3B. The fire should be installed so that no part of the combustible side wall is less than 508mm (20in) from the radiant source. If this is not possible, the combustible side wall must be suitably protected.

Some curvature of the surround is permissible but should this mean that there would be a gap between the back of the fire and the surround exceeding 13mm (1/2in) then a flue spigot extension (not supplied) must be used. The maximum projection of the spigot extension measured from the back of the fire is 150mm (6in).

The fire is suitable for use with lightweight surrounds whose continuous working temperature is not less than 100°C. A wooden shelf may be fitted above the fire. The underside of any combustible shelf of 150mm (6in) depth must be be at least 150mm (6in) above the top of the fire. For shelves of greater depth allow an increase of 13mm (1/2in) in shelf height for every 25mm (1in) in shelf depth. A minimum clearance of 75mm (3in) measured from the case side is required at each side for access/servicing, e.g. changing the battery.

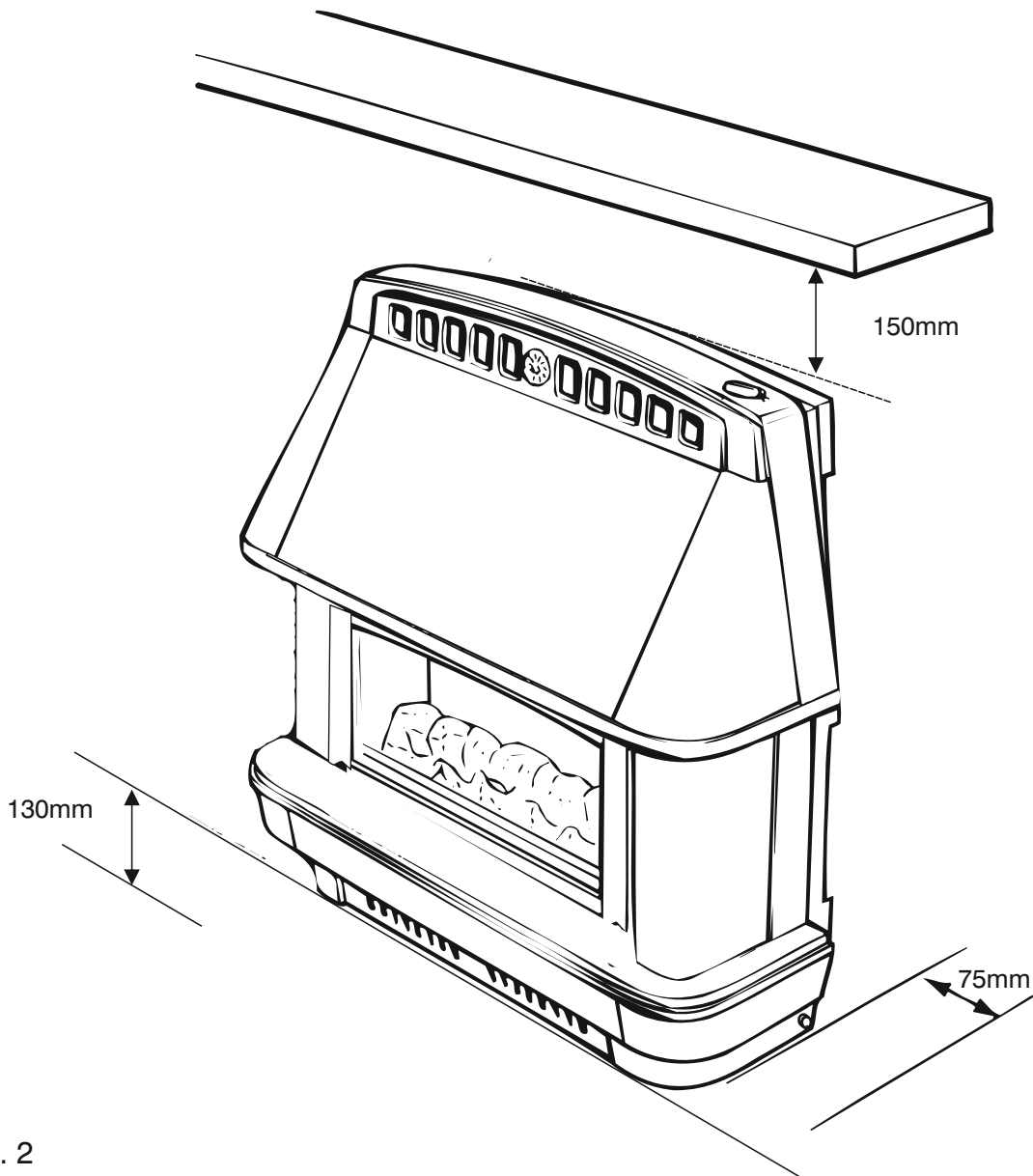
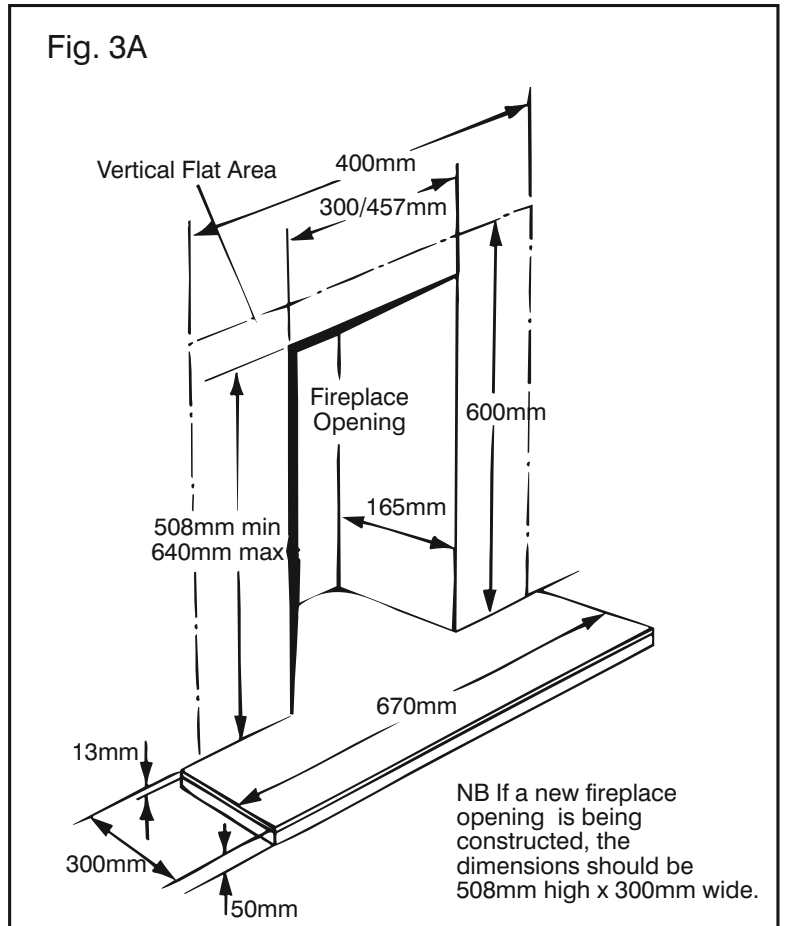


Fig. 2

SITE REQUIREMENTS

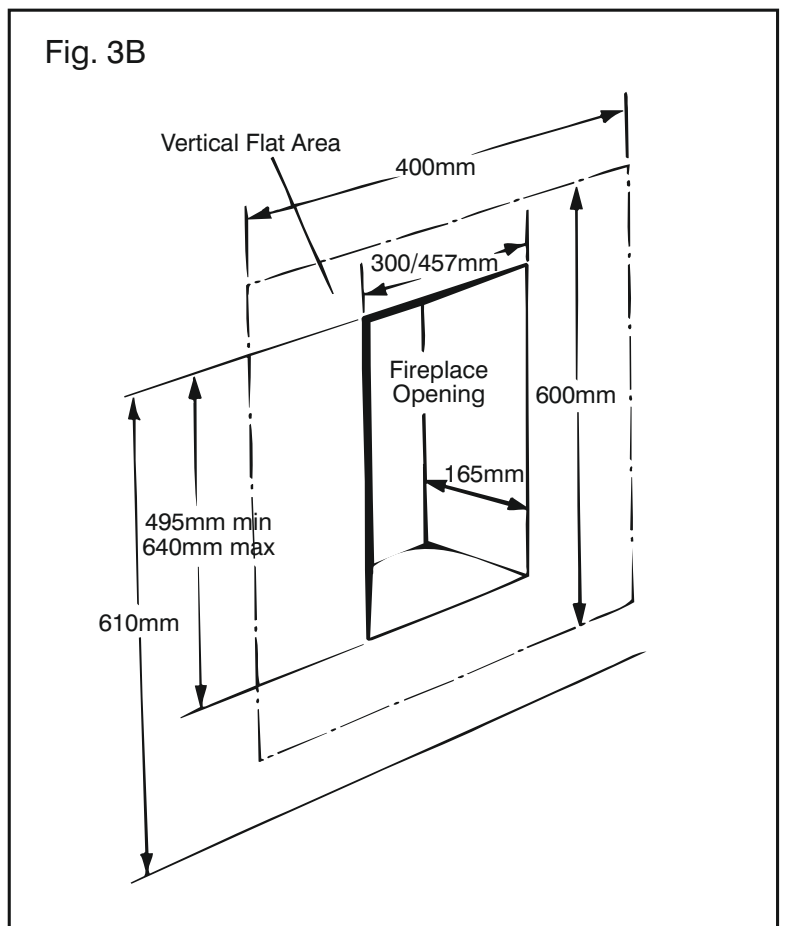
(a) HEARTH MOUNTING (Fig. 3A)

The hearth must be non-combustible material at least 13mm (1/2in) thick and measuring at least 670mm (26 3/8in) wide by 300mm (12in) deep with the fireplace opening central. Its top surface should preferably be 50mm (2in) above the floor level to discourage placing of rugs or carpets over it. Combustible cladding must be removed to a height of 600mm (23 5/8in) and a width of 400mm (15 3/4in).



(b) WALL MOUNTING (Fig. 3B)

The fire may be fitted onto a suitable non-combustible wall so that the top of the spigot opening in the closure plate is at least 595mm above the finished floor level.



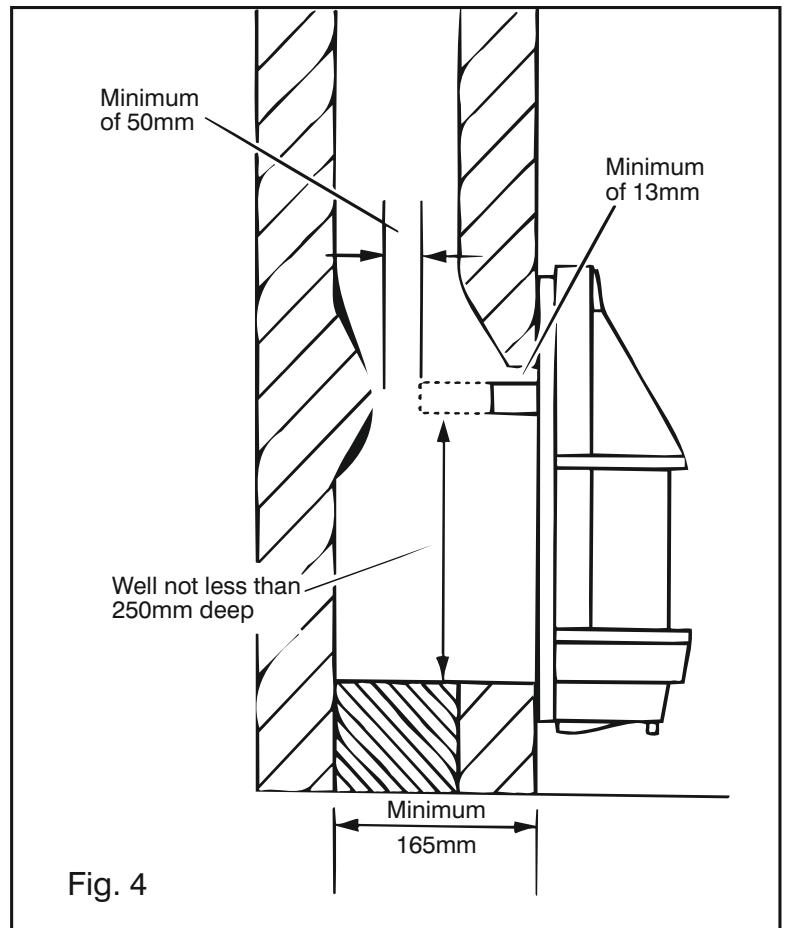
SITE REQUIREMENTS

2.2 BRICK CHIMNEY 228mm x 228mm (9in x 9in)

A chimney previously used to burn solid fuel must be swept prior to installation.

The chimney must be inspected to ensure that:-

- (a) It serves only one fireplace.
- (b) It is properly sealed so that combustion products do not escape from the flueways into the room.
- (c) It is not blocked by paper, rubble etc.
- (d) Any restriction such as a damper, register plate etc. must be removed or secured in the fully open position.
- (e) Any underdraught ventilation or additional air supply entering the fireplace or on the hearth must be sealed off.
- (f) The cross section area of the flue must not be less than 120cm² (19in²).
- (g) It must have a positive updraught.
- (h) It must have at least a 3 metre effective flue height.



2.2.1 Fireplace Dimensions (Fig. 4)

The dimensions of the catchment space behind the closure plate must meet the following requirements:-

- (a) The flue spigot must pass through the closure plate by at least 25mm (1in) and have a minimum clearance of 50mm (2in) between its open end and the nearest obstruction.
- (b) The catchment space below the flue spigot must be at least 250mm (10in) deep measured from the bottom of the flue spigot to the top of the catchment space or any "bricking up" at the bottom of the fireplace opening.
- (c) There must be a minimum clearance of 165mm (6 1/2in) between the back of the closure plate and the fireplace back brick.
- (d) The top of the spigot must be at least 13mm (1/2in) below the top edge of the fireplace opening. (See Fig. 4).
- (e) Ensure that the base of the fireplace is level with or lower than the hearth.

SITE REQUIREMENTS

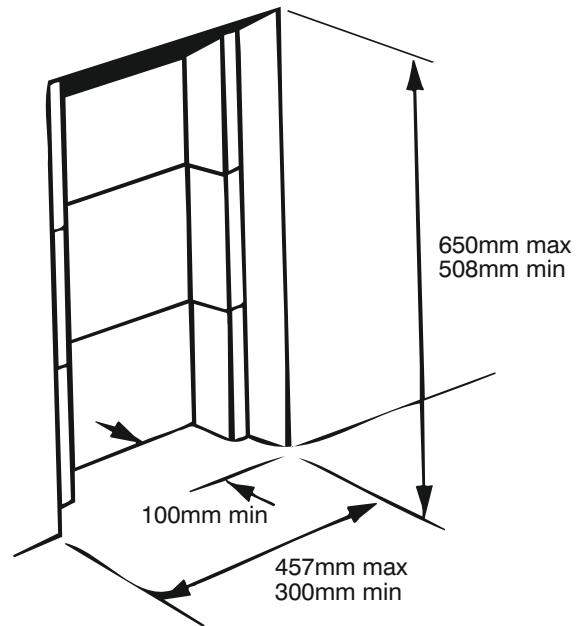
2.3 PRE-CAST FLUE OF MINIMUM CROSS SECTION 198mm x 67mm (7³/₄in x 2⁵/₈in) (Fig. 5)

The fire is suitable for installation into a properly constructed pre-cast flue conforming to the standards listed on page 2, item 6, of at least 3m (10ft) effective height and having flueways of at least 198mm x 67mm (7³/₄in x 2⁵/₈in) or equivalent cross sectional area with no dimension less than 63mm (2¹/₂in)

The fireplace opening width must be between a maximum of 457mm and a minimum of 300mm. The opening height must be between a maximum of 650mm and a minimum of 508mm and a depth of at least 100mm.

Ensure that any mortar fangs between the blocks do not protrude into the flueways and, if raking blocks are used, they are fitted according to the manufacturers instructions and mortar is not allowed to drop down and accumulate in the raked positions.

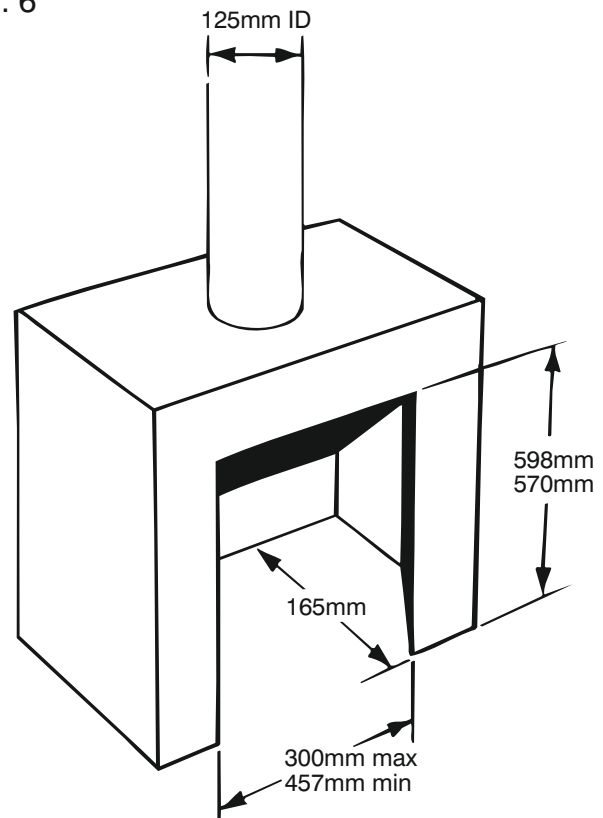
Fig. 5



2.4 TWIN WALLED FLUES (Fig. 6)

This fire may be installed in a double walled or insulated metal box with a twin walled or insulated flue built to the requirements of BS 715 and BS EN 1856 respectively, at least 125mm (5in) in diameter and a minimum effective height of 3 metres (10ft). The depth of the opening must be at least 165mm.

Fig. 6



INSTALLATION

3.0 INSTALLATION

3.1 UNPACK THE FIRE AND ACCESSORIES

1. Remove the top fitment.
2. Lift the carton clear of the fire pack.
3. The fire is packed fully assembled except for:-
 - (i) Closure plate - in the rear cardboard fitment.
 - (ii) The accessory pack, in the LH base fitment contains:-
 - Spigot
 - Control knob adaptor
 - (iii) Coal Bed - in cardboard fitment inside fire.

Check these items and keep in a safe place.

3.2 FIT THE CLOSURE PLATE (Fig. 7)

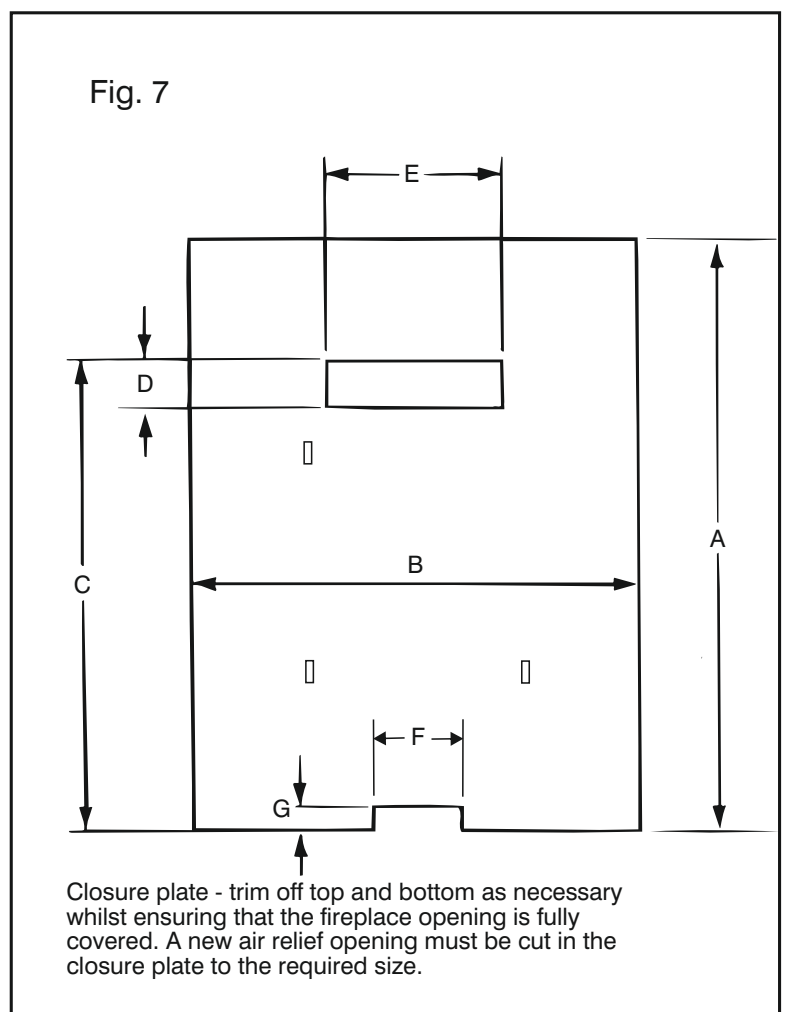
IMPORTANT NOTES

- (a) It is recommended that in the event of the proprietary closure plate not being available on site, one should be obtained from British Gas or your local Supplier.
- (b) The top of the closure plate may be trimmed to prevent sealing tape being seen above the fire. Ensure that there is at least 10mm overlap on the fireplace opening. When wall mounting, it may be necessary to trim the bottom of the closure plate to prevent it showing below the fire.

After trimming a new air relief opening 100mm wide x 37mm high must be cut in such a position that it is unobstructed by any brickwork.

- (c) If a hole is cut in the closure plate for access to gas supply pipe, seal the opening between the gas pipe and the closure plate.

A	-	660mm
B	-	460mm
C	-	498mm
D	-	40mm
E	-	240mm
F	-	100mm
G	-	37mm



INSTALLATION

3.2.1 When Hearth Mounting

Fit the closure plate centrally across the fireplace opening and seal all four edges

3.2.2 When Wall Mounting

Ensure that the top of the spigot opening is at least 595mm above the finished floor level and at least 13mm below the top edge of the fireplace opening and that the air relief opening is unobstructed. Fit and seal the closure plate as described in Section 3.2.1.

3.3 CHECK THE FLUE PULL

Apply a lighted match, lighted paper or smoke match to the spigot opening in the closure plate. Observe if there is any up or down draught and if there is a definite flow into the spigot opening in the closure plate, proceed with fitting the fire. Any tendency to downdraught must be corrected. If no flow is indicated, heat the chimney with, for example, a roll of burning paper or a blow lamp for two or three minutes. If there is still no definite flow into the spigot opening, the chimney may require attention:

DO NOT FIT THE FIRE - SEEK EXPERT ADVICE

3.4 PREPARATION OF FIRE

3.4.1 Remove Outer Case

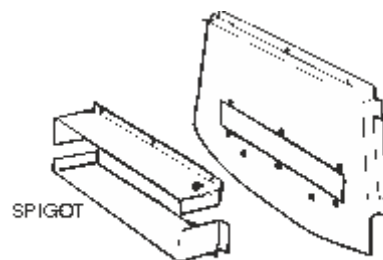
Stand the fire upright. Pull off the control knob. The outer case is held to the backplate by four screws, two on each side. Undo the four screws. Lift the outer case to clear the knob spindle, ease it out and put in a safe place.

3.5 FIT FLUE SPIGOT (Fig. 8)

The flue spigot consists of two identical pieces and is held to the back of the fire by six screws. The six screws, are already fitted around the flue outlet. Remove the top three screws but only loosen the bottom screws. Loosely secure the upper part of the flue spigot with the top three screws. Remove the bottom three screws and fix the other part of the flue spigot, sliding the side flange up the side of the upper part of the flue spigot. Tighten all six screws,

NOTE: This appliances does not require a Spigot Restrictor.

Fig. 8



INSTALLATION

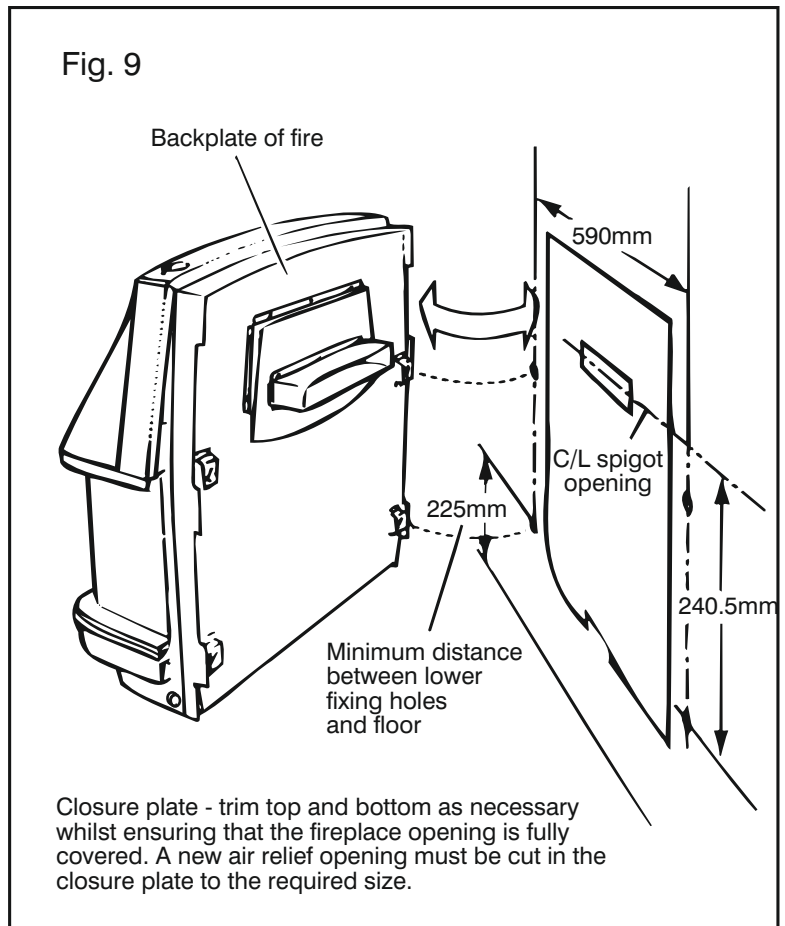
3.6 FIT GAS FIRE

3.6.1 Hearth Mounting

Place the fire in position against the wall. Levelling screws are fitted on the front legs and can be adjusted to take up any irregularities in the hearth. They should be locked after adjustment using the lock nuts provided. If the fire is fitted in a well type hearth, ensure that any kerb on the hearth does not obstruct the air inlet to the appliance.

3.6.2 Wall Mounting (to a non-combustible wall)

Undo the locknut on each of the levelling screws fitted to the legs and adjust the screws upwards as far as possible. It is essential that the minimum clearance from the floor level as indicated in Fig. 9 is observed. Keyhole slots and securing holes are provided in the backplate of the fire. These holes are suitable for size 10 rawplug fixing, using 50mm (2in) No. 10 round head screws (not supplied). Drill and plug the wall at four fixing point positions (Fig. 9). Partially insert the top two screws and mount the fire to the wall via the keyhole slots. Secure the fire by fitting the lower two screws and fully tightening the four screws.



4.0 CONNECT TO GAS SUPPLY

- NOTE:
- (i) The appliance must be connected to gas with rigid or semi rigid tubing.
 - (ii) The fire is fitted with an 'isolating inlet elbow' for servicing.
 - (iii) Remove tray for access.

4.1 MAKE GAS CONNECTION

The gas inlet is suitable for right hand, left hand or concealed connection. Connect the fire to the gas supply via the union elbow provided. This union elbow should be fitted to the end of the supply pipe then held in position under the flare nut whilst this is engaged. Reach beneath the burner to perform this operation. Tighten the flare nut with a spanner. The inlet elbow has a nut and olive supplied, suitable for 8mm supply pipe.

4.2 TEST FOR GAS SOUNDNESS

(Refer to B.S. 6891)

The gas installation, including the meter, should be inspected and tested for soundness and purged.

4.3 TEST FOR CORRECT SETTING PRESSURE

Temporarily fit the control knob.

Remove the pressure test point sealing screw located in the control tap and attach a pressure gauge to the test point. Light the fire and leave on at full rate (Refer to Users Instructions). Check that the burner pressure is 17.0 mbar (6.8in w.g.) \pm 1.0 mbar (0.4in w.g.). If it is not, take the pressure at the meter to determine if there is a restriction in the installation pipework, or whether other appliances served by the same meter are starving the gas fire. Check that the flames on the outer section of the burner are blue, and those of the inner section slightly yellow tipping - as a result of the air shutter fitted over the top half of the burner aeration port.

Turn off the gas, remove the pressure gauge and replace the pressure test point sealing screw. Test for gas soundness around the sealing screw.

INSTALLATION

5.0 FIT REMAINING COMPONENTS

5.1 REFIT THE BURNER TRAY

5.2 FIT THE COAL BED

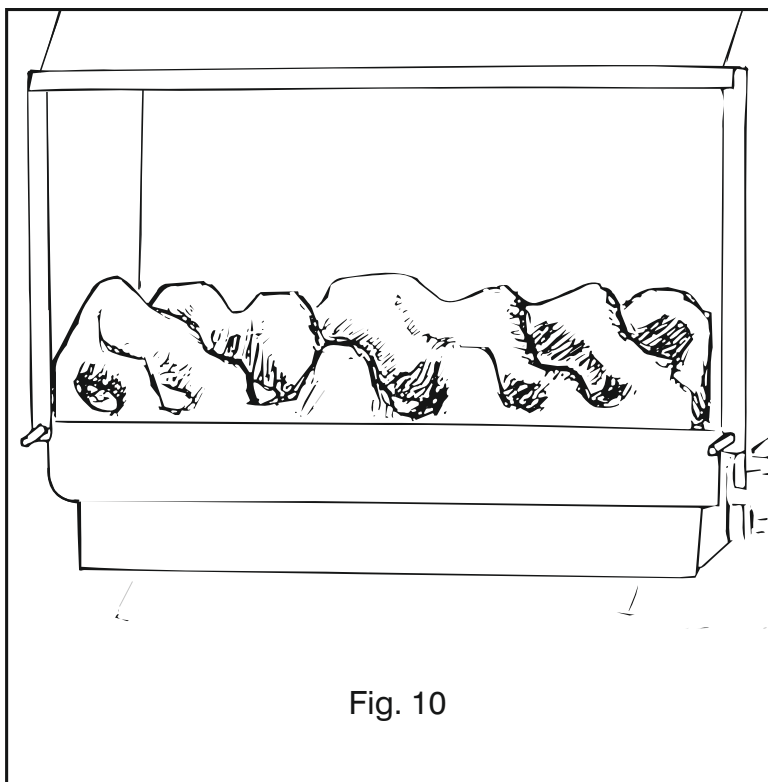
Fit the coal bed into the firebox as shown in Fig. 11 ensuring it is located behind the metal front rail.

5.3 FIT THE GLASS DOOR

Do this by inserting the top into the top clip of the firebox and guiding the lower holes over the firebox studs. Retain the glass door using the domed nuts provided.

5.4 REFIT THE OUTER CASE

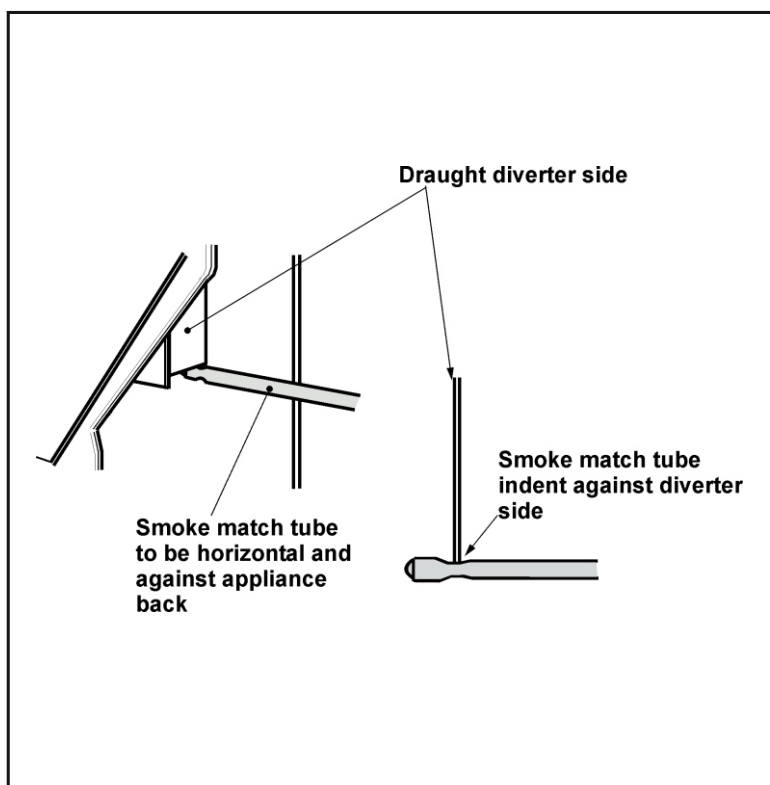
This is done by placing it over the fire and refitting the 4 screws. Replace the control knob.



6.0 TEST FOR SPILLAGE

A spillage check must be made before leaving the installed appliance with the customer.

1. Close all doors and windows in the room containing the fire.
2. Light the appliance and set the control knob to the maximum position.
3. Leave the appliance on for five minutes.
4. Insert the smoke match tube (with lighted match) into the side of the appliance and against the back panel. Position the tube so that it is horizontal, against the back panel and with its top edge touching the side of the draught diverter box. Slide the tube until the indent in the tube is level with the diverter side.
5. The installation is satisfactory if the smoke is drawn into the diverter box. If an appreciable amount of smoke escapes from above the flue spigot or from the sides leave the appliance alight at the maximum setting for a further ten minutes and then repeat the test. If the test is still unsatisfactory disconnect the appliance and seek expert advice.
6. If the above test is satisfactory, open all internal connecting doors, hatches, etc. in the room. Keep all doors and windows that open to the outside of the building closed. Recheck for spillage as above. If an extractor fan is installed in the same room as the appliance or a connecting room, check that spillage does not occur with the fan operating and all doors and other openings between the fan and the appliance open. If the test is satisfactory continue with the installation. If the test is not satisfactory disconnect the appliance and advise the customer of the cause of failure.



INSTALLATION

6.1 CHECK IGNITION

Check that ignition of the pilot and the cross-lighting to the main burner is satisfactory.

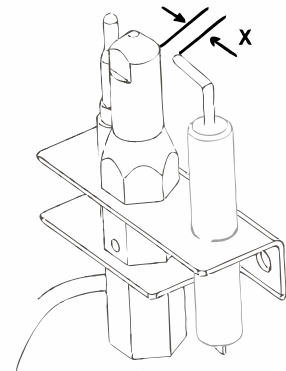
N.B. The spark gap (X) should be between 3.0 and 5.0mm (See Fig. 12).

6.2 CHECK OPERATION OF FSD

Leave the fire running on full rate for 5 minutes then turn off. After 3 minutes turn the gas tap to the full on position. If the gas has stopped flowing the FSD is satisfactory.

NOTE: You may hear the FSD valve close within the 3 minute period but always check that the gas has stopped flowing by turning the gas tap to the full on position.

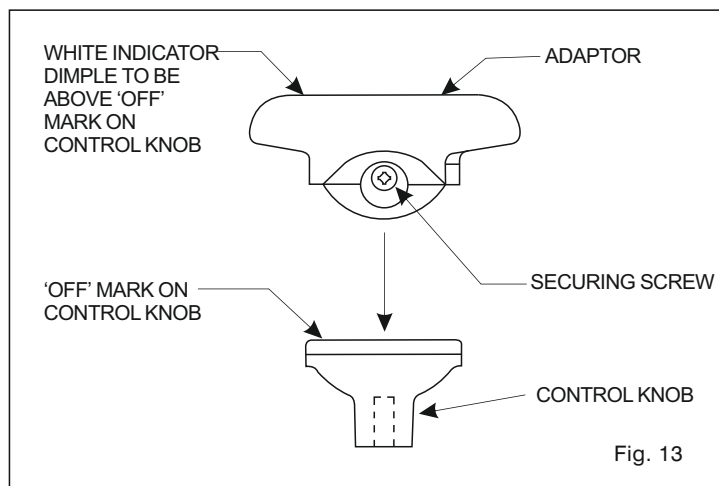
Fig. 12



INSTRUCT USER

7.0 MAKE SURE THE USER KNOWS THAT:

1. The fire has a pilot burner and the control knob must be pressed in before turning to the pilot setting and kept pressed in for 10 seconds at this setting.
2. There are 4 heat settings apart from the pilot setting.
3. The fire can be lit with a taper if necessary as detailed in the users instructions.
4. When the fire is first lit a smell may be noticed but this should pass away after a few hours at the full on setting.
5. The fire should be serviced annually by a competent person i.e. Gas Safe registered Engineer, for continuing efficient and safe operation.
6. Advise the customer that they should read their Users instructions before operating the fire and always follow the advice in the Section headed "Cleaning your Fire".
7. The control knob adaptor may be fitted to assist with the operation of the fire (See Fig. 13). Leave with the User if not fitted.



SERVICING INSTRUCTIONS

8.0 IMPORTANT NOTES

TURN OFF MAIN GAS TAP TO THE FIRE.

ALWAYS TEST FOR GAS SOUNDNESS AFTER SERVICING OR EXCHANGING ANY COMPONENT.

REMOVE THE FIRE FROM THE SURROUND AND CHECK FOR BUILD UP OF DEBRIS ON EVERY SERVICE VISIT.

CHECK THE FIRE FOR CLEARANCE OF PRODUCTS ON EVERY SERVICE VISIT.

N.B. To avoid damage to the coal bed and glass during servicing, it is recommended that these components are removed and put in a safe place.

8.1 REMOVAL OF OUTER COMPONENTS.

Remove the front panel by lifting upward and pulling forward. Pull out the control knob. Remove 4 screws 2 either side securing the outer case and lift the case away from the fire. Remove the glass door by withdrawing the 2 dome nuts securing it then removing the door bottom end first. Lift out the coal bed and put in a safe place.

8.2 GAS TAP/FSD ASSEMBLY

Remove the outer components (8.1 above)

- (A) Removal: Withdraw the lower spring clip securing the spindle extension to the gas tap spindle and remove. Disconnect the leads at the switch and the thermocouple nut at the bottom of the tap. Disconnect the tubing nuts on the inlet and outlet ports on the gas tap and remove the two fixing screws, manoeuvre the tap away from its pipework.
- (B) Replacement: ensure the tap is in the off position before re-engaging it on its pipework in the fire. Re-assemble in the reverse manner ensuring that the spindle extension and knob align in the off position.
NB: Make sure the spindle washer is on the spindle extension when re-assembling.

8.3 INJECTORS

Remove the outer components (8.1 above). Remove the pipes on the main outlets of the gas tap and remove the injectors from the burner. Replace the injectors and re-assemble in the reverse manner.

8.4 PILOT ASSEMBLY

The pilot is an atmosphere sensing device and must be replaced as a complete unit. Repair must not be undertaken.

NOTE: If the fire keeps going out or exhibits signs of nuisance shut off, check the operation of the pilot as follows:-

- (a) Inspect the pilot flame.
- (b) Check the thermocouple. If faulty replace the pilot assembly.
- (c) Check the magnetic unit in the gas tap. If faulty replace the tap.
- (d) Check the ventilation in the room. Vitiation may be due to lack of sufficient air supply.
- (e) Check for satisfactory clearance of combustion products. Vitiation may be due to spillage of combustion products into the

SHORT LIST OF PARTS

G.C. NUMBER	GDUK PART NUMBER	DESCRIPTION
<p>159 674</p> <p>159 698</p>	<p>01/72238/0</p> <p>987632</p> <p>987633</p> <p>991860</p> <p>992318</p> <p>822240</p> <p>991762</p>	<p>Pilot Assembly (Seagas P4 - 20D)</p> <p>Ignition Lead</p> <p>Lead - switch/spark generator (2 off)</p> <p>Door Assembly</p> <p>Coal Bed</p> <p>Gas Tap Assembly (c/w switch)</p> <p>Control Knob</p>



Robinson Willey

Glen Dimplex UK Ltd, Millbrook House, Grange Drive,
Hedge End, Southampton, SO30 2DF.

Telephone: 0344 879 3588

Website: www.robinsontonwilley.co.uk

Robinson Willey is a Trading Division of Glen Dimplex UK Ltd.

Users Operating Instructions

IMPORTANT NOTES

1. This fire is for use on Natural Gas only and cannot be used on any other gas. "CE marked" for use in the United Kingdom and Eire.
2. This fire must be installed and serviced regularly in accordance with the current Gas Safety (Installation and Use) Regulations by a competent person i.e. Gas Safe registered Engineer. Where solid fuel has been used the chimney must be swept before installation. The fire must be installed in accordance with the installation instructions, and the rules in force.
3. It is recommended that at least once a year the appliance should be removed to check the catchment space and the chimney for debris by a Gas Safe registered Engineer. The fire should be checked annually to ensure continued clearance of products and that there is no excessive build up of powdery substances.
4. DRESSGUARD: The glass window on this appliance conforms to the requirements of BS 1945 : 1991 and satisfies the heating Appliances (Fireguards) Regulations 1991.
IT DOES NOT GIVE FULL PROTECTION FOR YOUNG CHILDREN, THE ELDERLY OR THE INFIRM!
A fireguard conforming to B.S. 8423 (Fireguards for heating appliances for domestic use) should be used for the protection of children, the elderly or the infirm. Such a guard is also recommended for pet animals.
WARNING: The glass panel is of a special heat resisting type and if damaged the glass window must be replaced with the proper spare (G.C. No. 159 674) DO NOT USE THE FIRE WITH DAMAGED GLASS.
5. After the fire has been installed you may wish to fix a shelf above. This is quite acceptable provided the underside of a combustible shelf is at least 150mm above the fire and does not project more than 150mm forward. For a deeper shelf allow 13mm increase in shelf height for every 25mm increase in depth.
6. Do not burn paper or any rubbish in the fire.
7. Clothes etc. must not be draped over the fire. The convection outlet must never be obstructed by hanging towels etc.
8. When the fire is first used some slight smoke and smell may be given off but this will clear after a few hours of use at the full on rate (Setting No. 4). Condensation on the window inner surface is normal, when the heater is lit from cold.
9. IMPORTANT: When considering fitting any heating appliance or wallpapering a room in which one is fitted if blown vinyl or heat sensitive wallpapers (or soft furnishings) are used in the vicinity of the heat source then they may become heat damaged or discoloured especially just above the fire.
10. It is important for safe operation and to maintain efficiency that the fire is not operated with a damaged or broken coal bed. IMPORTANT: Under no circumstances should any loose coals be purchased and used on the coal bed. The fire has a specially designed coal bed and only this must be used.
11. This product uses fuel effect pieces containing Refractory Ceramic Fibre (RCF), which are man-made vitreous silicate fibres. Excessive exposure to these materials may cause temporary irritation to eyes, skin and respiratory tract, consequently, it makes sense to take care when handling these articles to ensure that the release of dust is kept to a minimum.

TO LIGHT AND OPERATE

WARNING: If the flames are found to be extinguished and the control knob is not in the OFF position, the control knob must be turned to the OFF position and no attempt should be made to light the fire for 3 minutes.

NOTE: The control knob is situated on the top right hand side of the fire and is marked with the symbols OFF, $\overline{\text{flame}}$, 1, 2, 3, 4. The ignition spark generator, battery powered (size AA), is located at the lower rear RH side.

LIGHT THE FIRE

Depress the control knob and turn it anticlockwise to the $\overline{\text{flame}}$ (pilot) position. Depress the control knob, sparks will be heard and the pilot should light which can be seen in the lower centre of the glass window on the fire. If the pilot did not light turn the control knob to OFF and try again. When the pilot has lit keep the knob depressed for a further 10 seconds to activate the flame supervision device otherwise the pilot will go out again. Once the pilot is established turn the control knob to the desired setting.

The control knob is connected to the gas tap by a universal coupling and will have a 'loose feel' to it, which should not cause concern.

- | | | |
|-------------------|---|--|
| CONTROL SETTING 1 | - | the centre burner section is on at a low rate. |
| CONTROL SETTING 2 | - | the centre burner section is on at a high rate. |
| CONTROL SETTING 3 | - | the centre burner is on high and the outer burner sections are on at a low rate. |
| CONTROL SETTING 4 | - | all burner sections are on full rate. |

TO TURN OFF depress the control knob slightly and turn clockwise to the OFF position.

NOTE: If you want to relight a hot fire wait 5 minutes before doing so.

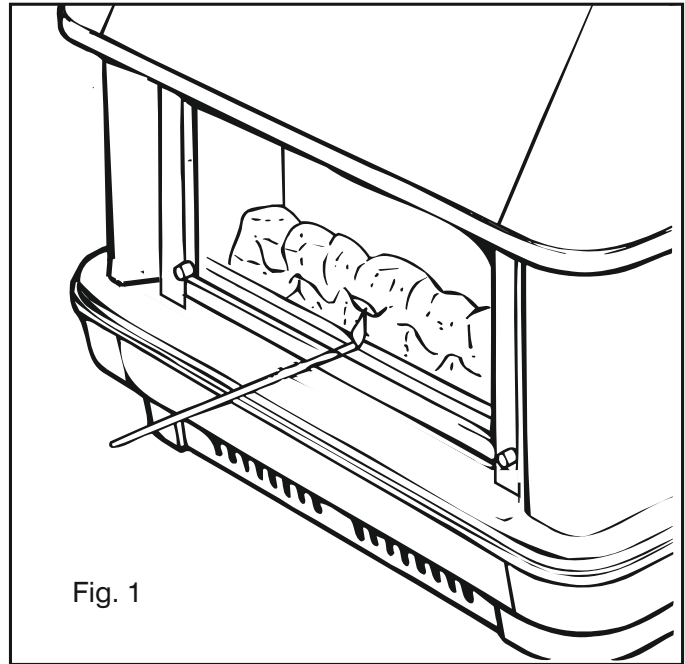
LIGHTING WITH A TAPER

In the unlikely event of failure of the ignition you can light the fire with a taper or spill. First remove the glass door mask which surrounds the glass window by lifting it up slightly and pulling it forward bottom first. Now remove the window as detailed below.

Light your taper or spill and depress and turn the control knob anticlockwise to the $\overline{7}$ (pilot) position. Insert the lit taper over the central front hole of the coal bed (inside the glass). Keep the control knob depressed for ten seconds after the pilot has lit to activate the flame supervision device. Replace the window and glass door mask, before turning the fire to any other setting.

SAFETY DEVICE

The fire is fitted with a flame supervision and Oxygen depletion device. This will shut the fire off if the pilot goes out for any reason. This may be caused by the Oxygen level in the room falling below a prescribed level due to poor flue pull etc. If the fire keeps going out you must have it checked by a competent person (i.e. A Gas Safe registered Engineer).



CLEANING AND SIMPLE MAINTENANCE

Generally the fire will only need dusting. Any painted surface or metal part should be cleaned with a damp cloth only. Never use abrasive cleaners on painted surfaces or metal parts. Any stains on the glass window can be removed with a non abrasive cleaner (such as hob cleaner) or with any brand of plastic scourer after removing the window. Should any soot accumulation become excessive, the fuel effect pieces should be removed from the fire for cleaning. Cleaning should be carried out in a well-ventilated area or in the open air, by gently brushing with the pieces held away from your face so that you avoid inhaling the dust. We do not recommend the use of a normal domestic vacuum cleaner, which may blow dust back into the air.

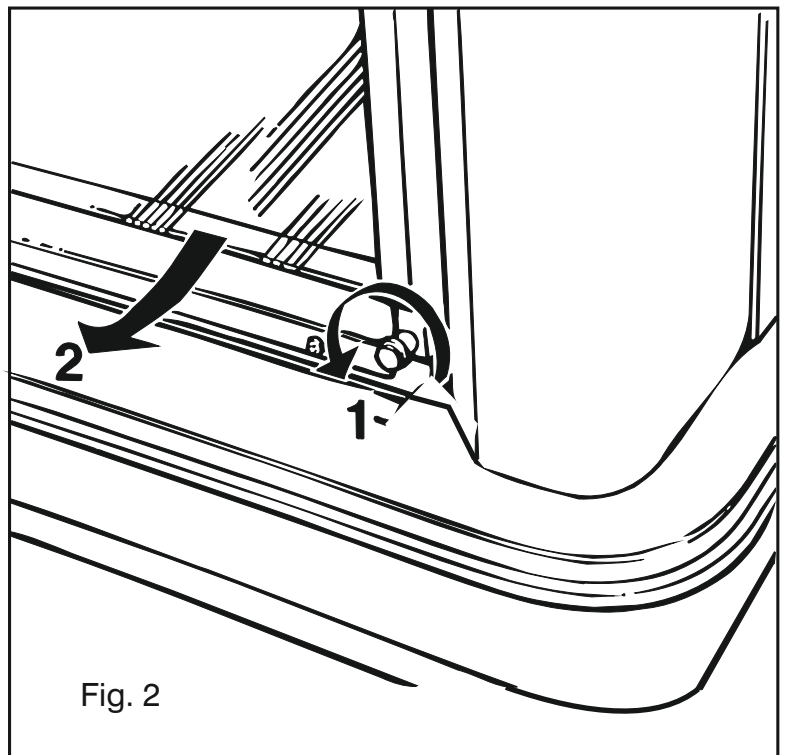
Remove the window as follows:

- (a) Remove the glass door mask as detailed above.
- (b) Remove the 2 domed nuts securing the glass window.
- (c) Pull the window forward at the bottom to clear the studs then downward and outward to clear the top clip.

After cleaning the window replace it by first pushing it upward into the top clip then engaging the lower nuts and front panel.

IT IS IMPORTANT TO REGULARLY CLEAN THE GLASS AND REGULAR CLEANING UNDER THE FIRE WITH A VACUUM CLEANER IS STRONGLY RECOMMENDED.

It will not normally be necessary to remove the coal bed for cleaning but if this is done only use a soft brush to remove any powdery deposits from the coal bed. To replace the coal bed simply insert it into the firebox behind the raised metal front plate noting that the front of the coal bed has six smaller holes.



CHANGING THE BATTERY

Unscrew the cap, anti-clockwise, off the battery holder. Remove the battery, and replace with a new one. This should be inserted 'flat end first' - this is the negative terminal. Replace the cap carefully to avoid cross-threading it.

Please note: Consumable items, such as batteries, are not covered by the guarantee.

SPARES AND SERVICE

For spares and service apply to your local supplier or installer stating that the appliance is a FIRECHARM LF ELECTRONIC, saying whether it is black or bronze in colour and quoting the serial number and the appliance G.C. number which are displayed on the lower right side of the fire.

ADVANTAGE SHOULD BE TAKEN OF REGULAR SERVICING/INSPECTION (e.g. ANNUALLY) FOR GAS APPLIANCES BY A 'GAS SAFE REGISTERED ENGINEER, TO ENSURE CONTINUED SAFE OPERATION.

Full on the fire consumes 5.6 units of gas per hour. The cost of a unit of gas varies according to the tariff. Please check with your local Gas Region. When installed in a typical chimney and based on the cost of gas at 2.5 pence per kW hour at setting number 4 using 5.57kW costs 14 pence per hour approximately, and at setting number 1 using 1.55kW costs 4 pence per hour approximately. The maximum output is 4.4kW, and the minimum output is 0.83kW.

If any "Home Improvements" are made to the dwelling in which a gas appliance is fitted, e.g. the fitting of an extractor fan, draught proofing or double glazing, then the air supply to and the flueing of the appliance must be re-checked by a competent person (i.e. A Gas Safe registered Engineer).

PARTS REPLACEABLE BY USER

G.C. PART NUMBER	MAKERS PART NUMBER	DESCRIPTION
159 698	991762	Control Knob
159 674	992318	Coal Bed
	991860	Door Assembly



The Benchmark Scheme

Glen Dimplex UK is a licensed member of the Benchmark Scheme which aims to improve the standards of installation and commissioning of domestic heating and hot water systems in the UK and to encourage regular servicing to optimise safety, efficiency and performance.

Benchmark is managed and promoted by the Heating and Hotwater Industry Council.

Please ensure that the installer has fully completed the Benchmark Checklist on the back pages of the Installation & Servicing instructions supplied with the product and that you have signed it to say that you have received a full and clear explanation of its operation. The installer is legally required to complete a commissioning checklist as a means of complying with the appropriate Building Regulations (England and Wales).

Installations carried out in England and Wales must be notified to Local Area Building Control either directly or through a Competent Persons Scheme. A Building Regulations Compliance Certificate will then be issued to the customer who should, on receipt, write the Notification Number on the Benchmark Checklist.

The filled in Benchmark Checklist/Service Record by the installer will be required in the event of any warranty (UK and Ireland installation)

After servicing, complete the relevant "Service Interval Record" section of the Benchmark Checklist contained in the Installation & Servicing instruction booklet.

Robinson Willey

Glen Dimplex UK Ltd, Millbrook House, Grange Drive,
Hedge End, Southampton, SO30 2DF.
Telephone: 0344 879 3588
website: www.robinsontonwilley.co.uk

Robinson Willey is a Trading Division of Glen Dimplex UK Ltd.

GAS FIRE COMMISSIONING CHECKLIST

This Commissioning Checklist is to be completed in full by the competent person who commissioned the gas fire as a means of demonstrating compliance with the appropriate Building Regulations and then handed to the customer to keep for future reference.

Failure to install and commission according to the manufacturer's instructions and complete this Benchmark Commissioning Checklist will invalidate the warranty. This does not affect the customer's statutory rights.

Customer name:	Telephone number:										
Address:											
Gas Fire make and model:											
Gas Fire serial number:											
Commissioned by (PRINT NAME):						Gas Safe register number:					
Company name:						Telephone number:					
Company address:											
						Commissioning date:					
Building Regulations Notification Number (if applicable):											
Site Requirements										Yes	N/A
Was the chimney checked to ensure it only serves one flue/fire, has no obstructions and is continuous?											
Has any debris at the base of the chimney been removed?											
For brick chimney installations is there enough depth for 12 litres of debris, or precast flues 2 litres of debris? (see instructions for debris gap details)											
Have damper and register plates been removed or locked in the fully open position ensuring correct size of flue is maintained?											
If previously used for solid fuel has the chimney been thoroughly swept?											
If the chimney is pre-cast has the inside of the flue been checked for extruded cement / sealant which must be removed?											
Has the fire place been checked for under-floor air supply which must be sealed off?											
Has the chimney been inspected prior to fitting the gas fire to ensure that it is in good condition?											
Has the structure of the chimney been checked for leakage using a smoke pellet test? (See BS5440-1 for details).											
Ventilation											
Does the installation require any additional ventilation requirements as detailed in the manufacturer's instructions?											
Hearth Requirements- where fitted											
Is the hearth constructed from non -combustible material?											
Is the hearth a minimum of 12mm thick with a minimum floor to top surface of 50mm?(BS5871) or as per manufacturer's instructions?											
Is the hearth for open fronted fires a minimum of 760mm wide and has 300mm projecting from the fire opening (BS6871) or to manufacturer's instructions?											
Mounting height (where applicable) has the fire been installed to the correct mounting height- as per manufacturer's instructions?											
Firebox and Fuel Bed											
Has the fuel bed, coals, pebbles etc. been fitted to manufacturer's instructions?											
Gas Supply											
Has an isolation tap/restrictor inlet elbow been fitted for servicing?											
Has the gas supply been thoroughly purged prior to connection to remove any debris?											
Has a gas tightness test been completed prior to breaking into the gas supply and following completion of installation?(IGEM/UP/1B)											
Record burner gas pressure reading? If only the supply pressure is available a gas rate must be undertaken.(GSIUR REG26/9C)											
Record dynamic inlet gas pressure (working pressure) reading (all gas appliances running)											
Spillage test											
Installation passes smoke match test with any extractor fans turned on (see manufacturer's instructions)											
Installation											
Has the gas fire been installed and commissioned in accordance with manufacturer's instructions?											
Has the fire been installed with the correct clearance to combustible materials, as per manufacturer's instructions?											
The operation of the appliance and controls have been demonstrated to the customer including battery replacement where applicable?											
The manufacturer's literature, including Benchmark Checklist and Service record has been explained and left with the customer?											
Has the appliance been registered with the Local Authority as detailed on the Gas Safe web site and is a legal requirement and forms part of the warranty?											
Customer's Signature:						Commissioning Engineer's Signature:					
(To confirm satisfactory demonstration and receipt of manufacturer's literature)											

*All installations in England and Wales must be notified to be Local Authority Building Control (LABC) either directly or through a Competent Persons Scheme. A Building Regulations Compliance Certificate will then be issued to the customer.



SERVICE RECORD

It is essential that your gas fire is serviced regularly and that the appropriate Service Interval Record is completed.

Service Provider

Before completing the appropriate Service Record below, please ensure you have carried out the service as described in the manufacturer's instructions. Always use the manufacturer's specified spare part when replacing controls.

SERVICE 01		Date:	SERVICE 02		Date:
Engineer name:			Engineer name:		
Company name:			Company name:		
Telephone No:			Telephone No:		
Gas safe register No:			Gas safe register No:		
Comments:			Comments:		
-----			-----		
-----			-----		
Signature			Signature		
SERVICE 03		Date:	SERVICE 04		Date:
Engineer name:			Engineer name:		
Company name:			Company name:		
Telephone No:			Telephone No:		
Gas safe register No:			Gas safe register No:		
Comments:			Comments:		
-----			-----		
-----			-----		
Signature			Signature		
SERVICE 05		Date:	SERVICE 06		Date:
Engineer name:			Engineer name:		
Company name:			Company name:		
Telephone No:			Telephone No:		
Gas safe register No:			Gas safe register No:		
Comments:			Comments:		
-----			-----		
-----			-----		
Signature			Signature		
SERVICE 07		Date:	SERVICE 08		Date:
Engineer name:			Engineer name:		
Company name:			Company name:		
Telephone No:			Telephone No:		
Gas safe register No:			Gas safe register No:		
Comments:			Comments:		
-----			-----		
-----			-----		
Signature			Signature		
SERVICE 09		Date:	SERVICE 10		Date:
Engineer name:			Engineer name:		
Company name:			Company name:		
Telephone No:			Telephone No:		
Gas safe register No:			Gas safe register No:		
Comments:			Comments:		
-----			-----		
-----			-----		
Signature			Signature		

