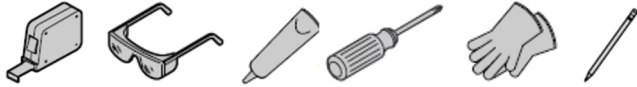


1 Installation Instruction for Top-mount Sink

Tools and Materials

- Tape Measure
- Safety Glasses
- Construction Adhesive
- Screw Driver
- Gloves
- Pencil

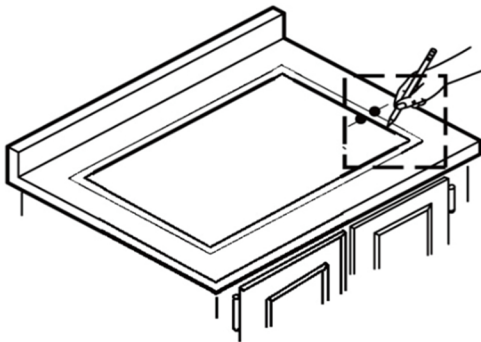


Attention Installer

- Due to the nature of top-mount installations, we recommend that top-mount sink installations be performed by trained and experienced installers.
- Sink edge may be sharp; handle with caution.
- Clean the sink surface with a soft towel to prevent scratch products.
- Inspect sink for damage prior to beginning installation.
- This template is only a guide. Actual sink should be present to ensure perfect cut out.

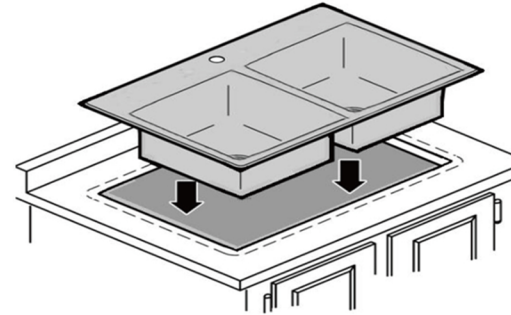
Installing Sink

1. Using the Cutout Sheet



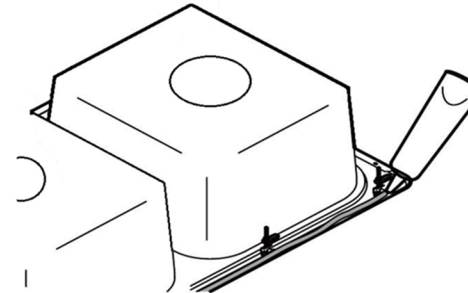
- Use the provided cutout sheet to carefully measure and cut the countertop for the top-mounted sink.
- Please ensure all measurements are accurate and precise before cutting or drilling.

2. Testing the Fit



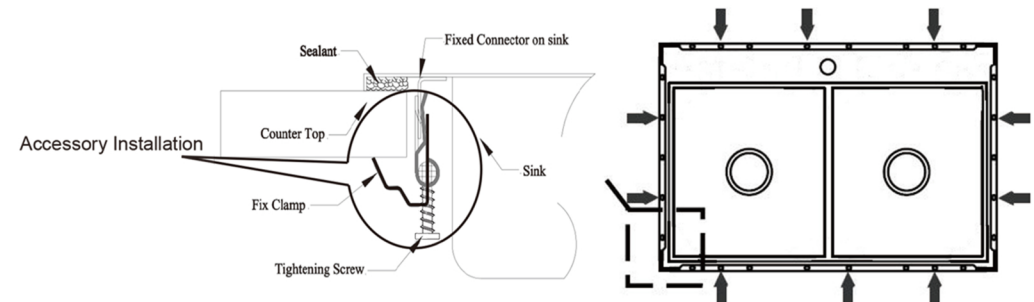
- With the opening now complete, drop the sink in the space created.
- Check for any issues with the fit and alignment.
- Make any adjustments if necessary. Always ensure the sink is level with the countertop.

3. Apply Sealant



- Apply a bead of silicone sealant to the edge of the sink.

4. Lowering the Sink



- Proceed by lowering the sink in the opening and ensure the silicone sealant meets the edges.
- Fix the screws as per illustration. Tighten evenly.
- Remove excess sealant and dry for at least 24 hours.

2 Installation Instruction for Under-mount Sink

Tools and Materials

- Tape Measure
- Safety Glasses
- Saw
- Construction Adhesive
- Screw Driver
- Gloves
- Pencil



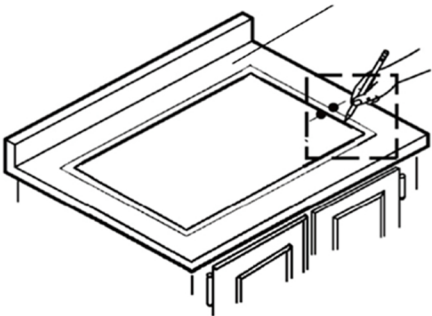
Attention Installer

- Due to the nature of under-mount installations, we recommend that under-mount sink installations be performed by trained and experienced installers.
- Sink edge may be sharp; handle with caution.
- Clean the sink surface with a soft towel to prevent scratch products.
- Inspect sink for damage prior to beginning installation.
- This template is only a guide. Actual sink should be present to ensure perfect cut out.

Installing Sink

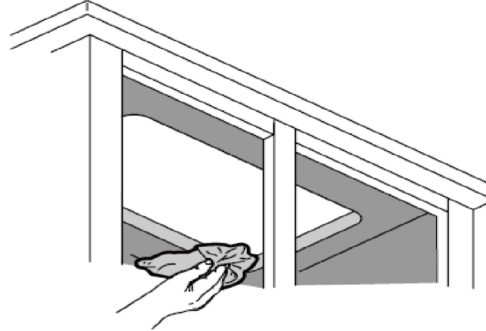
1. Cutting out Countertop

Ensure sufficient clearance for faucet installation



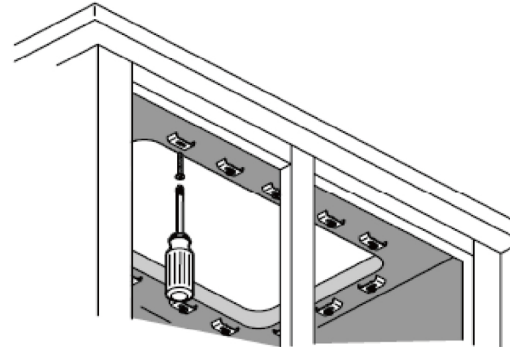
- Ensure sufficient clearance for faucet installation, position with provided template on countertop. Locate the template front to rear, so that sink will not interfere with the cabinet.
- Trace a line around the template. Cut along the inside of this line to provide opening.

2. Cleaning up



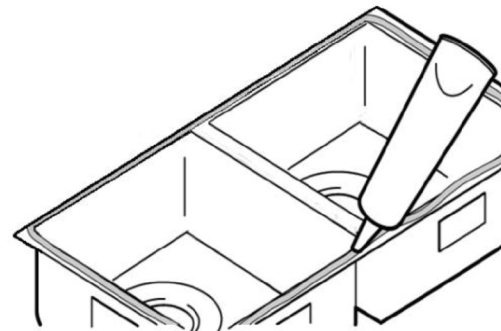
- Clean the top and underside of the counter and the rim of the sink.

3. Pre-drill Holes



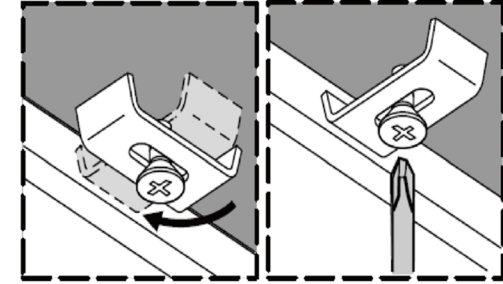
- Determine placement of clip brackets as indicated by template. Pre-drill holes according to method desired based on countertop material.

4. Apply Sealant



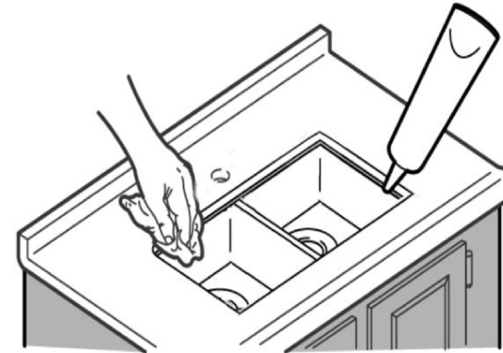
- Apply a bead of silicon evenly along edge on underside of countertop.
- Position and align sink over opening. Press sink onto Silicon seal.

5. Tighten Clip Brackets



- After re-checking alignment, install the clips to the countertop, ensure each clip engages the rim. Tighten evenly.

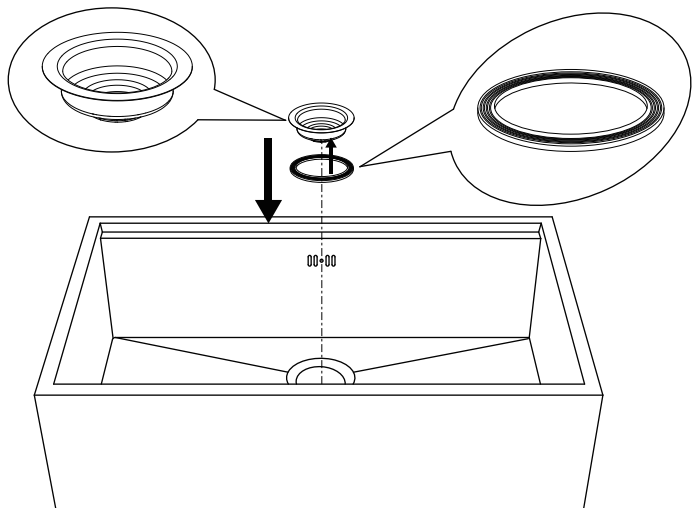
6. Removing Excess Silicon



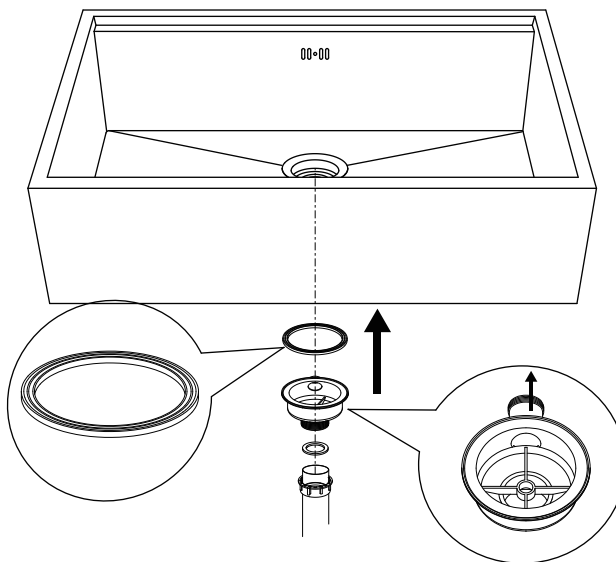
- Remove excess sealant and dry for at least 24 hours.

Installation for sink dish drainer

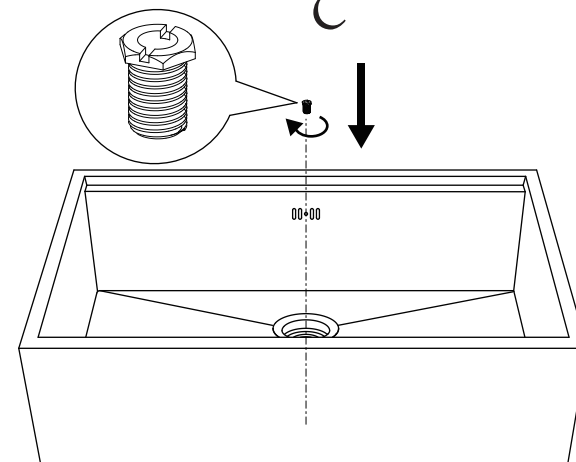
a



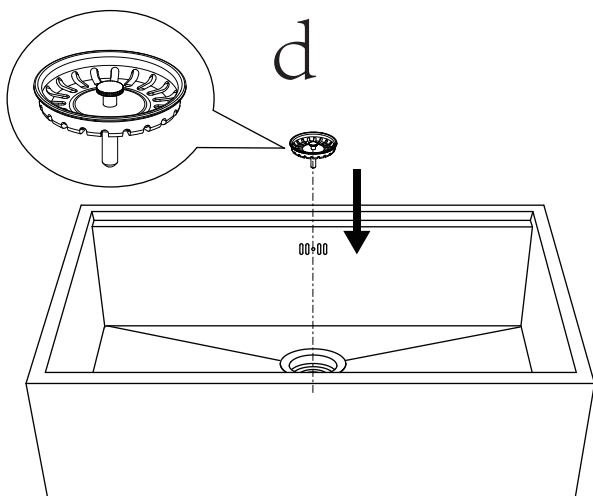
b



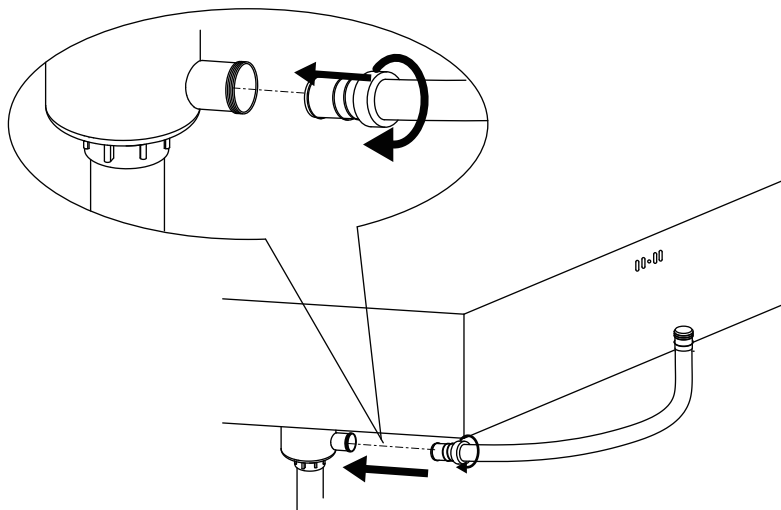
c



d



e



f

