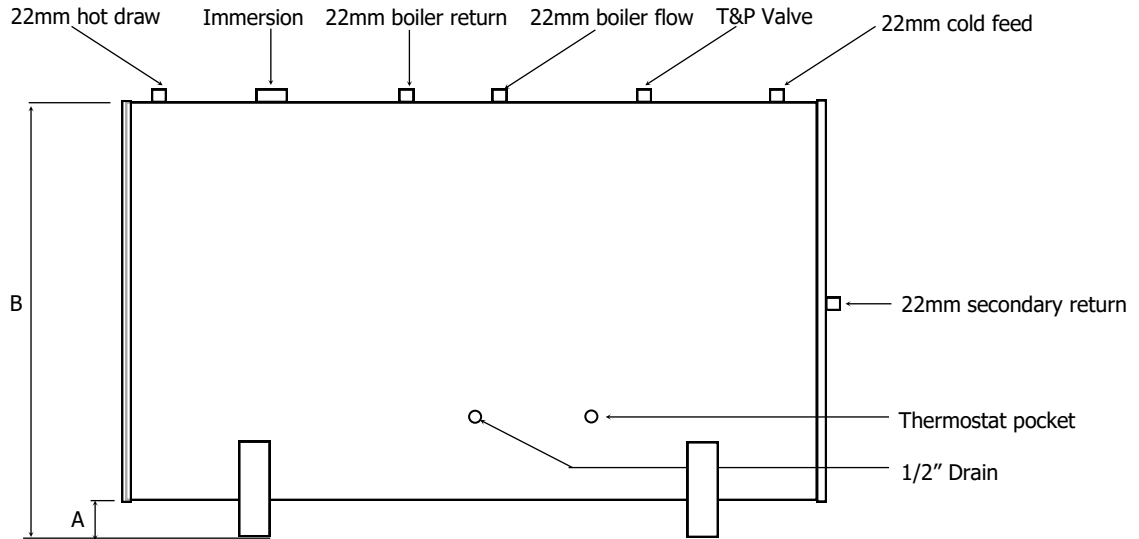


Technical Data Sheet



Tempest Indirect Horizontal



All unvented cylinders come with an unvented component kit to suit. Dimensions are subject to change without any prior notice.

400&500L supplied with 1\"F cons & unv kit as standard.

Product Code	TSMI090H	TSMI125H	TSMI150H	TSMI170H	TSMI200H	TSMI250H	TSMI300H	TSMI400H	TSMI500H
Nominal Capacity (L)	90	125	150	170	200	250	300	400	500
Height (mm)	750	935	1060	1200	1120	1490	1780	1590	1835
Diameter (mm)	510	510	510	510	554	554	554	660	660
A (mm)	100	100	100	100	100	100	100	100	100
B (mm)	610	610	610	610	680	680	680	810	810
Empty Weight (kg)	32	35	38	42	46	55	61	68	75
Full Weight (kg)	121	156	187	210	240	301	355	459	560
Standing Heat Loss (kWh/24h)	1.59	1.64	1.85	1.97	1.85	2.00	2.22	2.42	2.49
Reheat 10°C to 60°C (mins)	26	36	37	36	33	35	40	45	50
Actual capacity (L)	89	121	149	168	194	246	294	391	485
Standing loss (W)	66	68	77	82	77	83	92	101	104
Energy efficiency class of model	C	C	C	C	C	C	C	C	C
Operating Pressure (bar)	3	3	3	3	3	3	3	3	3
Immersion Heater Rating	3kw 240v	3kw 240v	3kw 240v	3kw 240v	3kw 240v	3kw 240v	3kw 240v	3kw 240v	3kw 240v
Max inc. supply pressure (bar)	12	12	12	12	12	12	12	12	12



T: 01952 257961
F: 01952 253452

E: sales@telford-group.com
W: www.telford-group.com