

TOWELRADS EVERSLEY

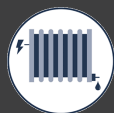


A contemporary straight front ladder rail with simplicity of design, the Eversley is minimal & sleek. Its dainty design allows for a sophisticated feel when placed in a bathroom setting & with multiple spaces to hang & dry towels this is a fantastic choice.

Beautiful brushed stainless steel that will create a focal feature in any room.



Manufacturers
Warranty



Works with both central heating
and electric fuel sources



1-2 Day Delivery

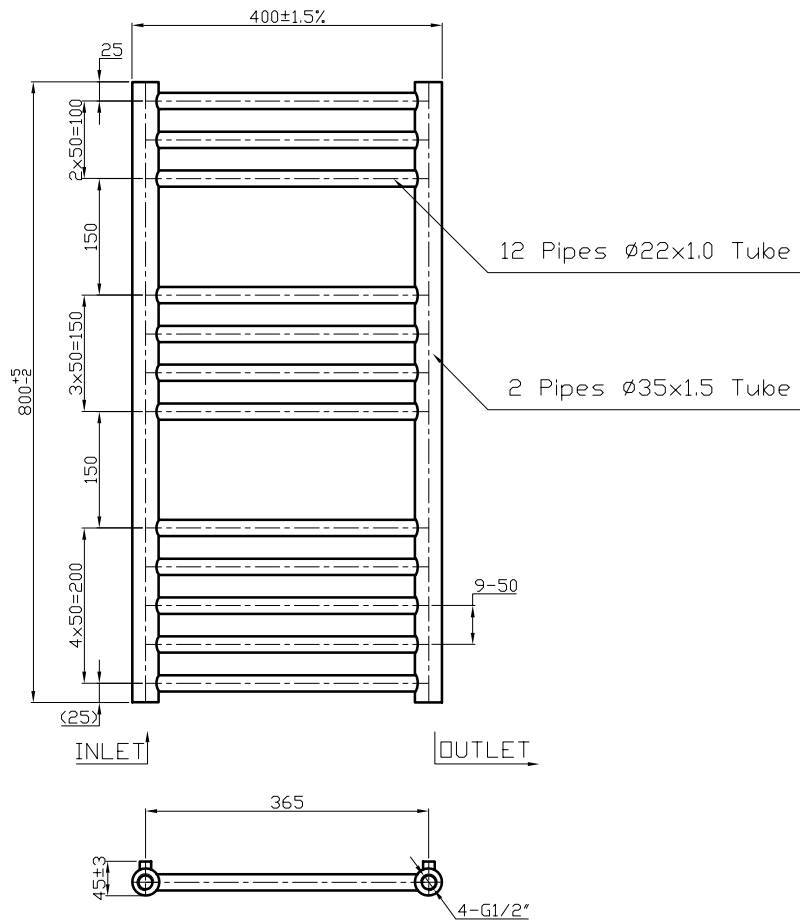
FEATURES AND BENEFITS

- Well spaced bars for practical use.
- Beautiful polished stainless steel that will create a focal feature in any room.
- This product can also be fitted with an electric dual fuel element.
- Ideal for wet rooms.

EVERSLEY

Height (mm)	Length (mm)	Pipe Centres (mm)	Product Code	Output at $\Delta T50k$	
				Watts	BTU
800	400	368	136026	167	570
1000	400	368	136027	171	674
1200	400	368	136028	198	583
1500	400	368	136029	212	722
800	500	468	136030	228	851
1000	500	468	136031	249	778
1200	500	468	136032	266	906
1500	500	468	136033	314	1071
800	600	568	136034	362	1236
1000	600	568	136035	292	997
1200	600	568	136036	298	1177
1500	600	568	136037	245	1357

TECHNICAL DIAGRAMS
EVERSLEY COLLECTION



TECHNICAL DIAGRAMS

EVERSLEY COLLECTION

