



INNOVATIVE | RELIABLE | EFFICIENT

# DISCOVER A NEW LEVEL OF EFFICIENCY

HOME HEATING PRODUCT RANGE  
OIL / RENEWABLES / CYLINDERS

## HEAD OFFICE

Warmflow  
Lissie Industrial Estate  
Moir Road  
Lisburn  
BT28 2RF  
Northern Ireland

T: +44 (0) 2892 621 515  
sales@warmflow.co.uk

## GREAT BRITAIN

Warmflow, Unit C4  
Stafford Park 4,  
Telford,  
TF3 3BA  
England

T: +44 (0) 1952 607 750  
salesgb@warmflow.co.uk

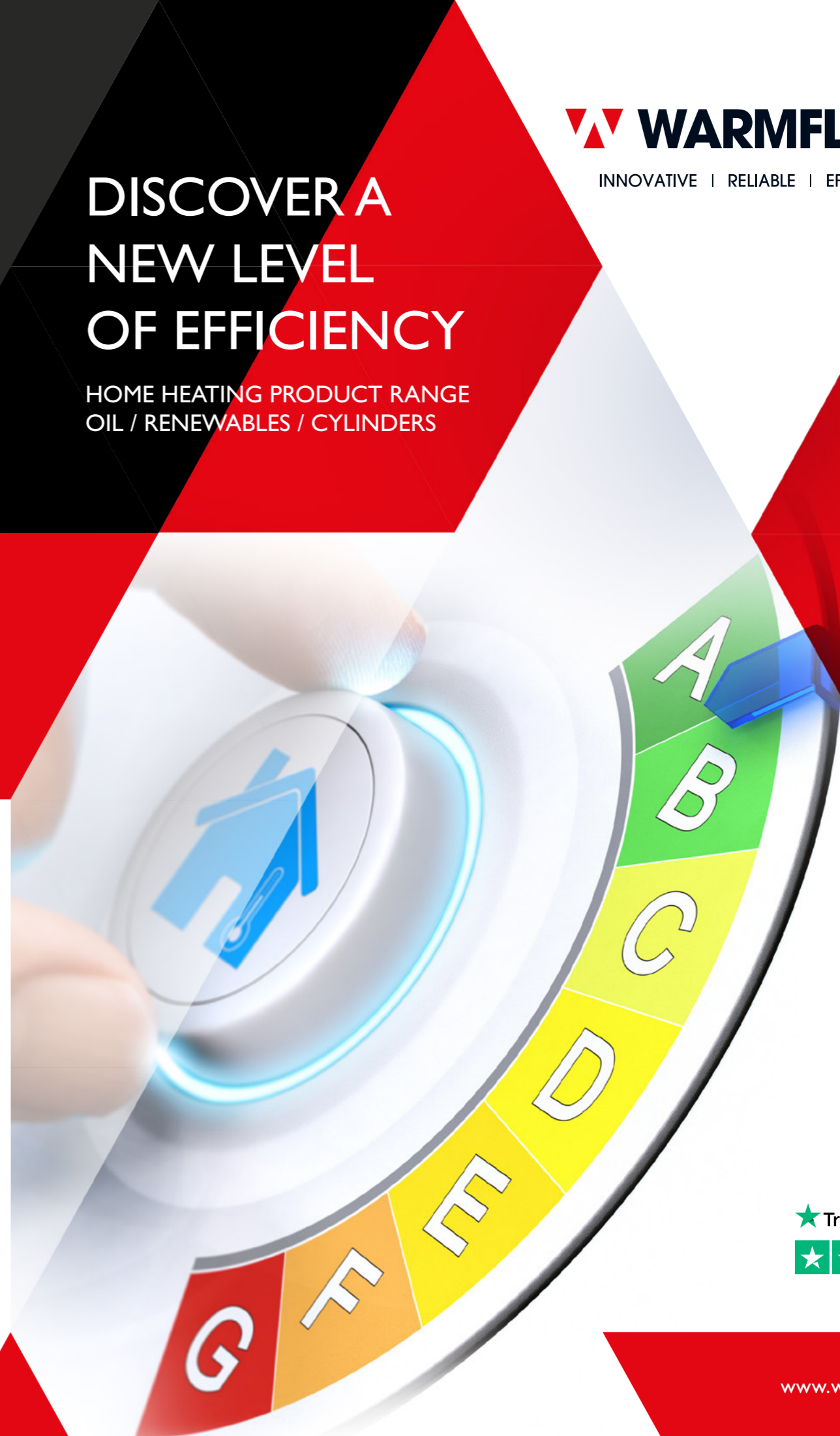
## INTERNATIONAL

Avda. de Los Castros, 33  
Portal 2 – 1B  
Santander  
39005  
Cantabria  
Spain

T: +34 (0) 942 140 623  
info@warmflow.es



Warmflow Engineering Company Limited is a family owned company where reputation and integrity are paramount. We maintain a policy of continuous product improvement and reserve the right to change specification without notice. The statutory rights of the consumer are not affected. This brochure should only be used for sales purposes. Please consult the installation instructions, available on request, before installing or specifying a Warmflow product.







INNOVATIVE | RELIABLE | EFFICIENT



# OVER 50 YEARS OF HEATING

For over 50 years Warmflow has created innovative, award-winning heating products for homes in the UK and Ireland.

All Warmflow products are made at our state-of-the-art manufacturing facility in Lisburn, Northern Ireland. Our extensive range of home heating products offers value for money, fuel efficiency, ease of installation and all supported by top-class customer care.

Our comprehensive product portfolio, which includes the UK and Ireland's only AA rated combi boiler, offers a choice of highly efficient liquid fuelled boilers as well as range of intelligent renewable products and a selection of cylinders, which will satisfy the needs of the most demanding households.

At Warmflow we pride ourselves on leading the way in innovation, working with customers to ensure that:

- we manufacture products that are easy to install and service
- our products are made using only the highest quality materials
- our products deliver the highest possible efficiency levels and cost savings.



Our products have been independently tested and accredited. Our range of appliances exceed the minimum ErP efficiency requirements and comply with Document L1A, L1B (England & Wales), The Building Standards (Scotland) Regulations Section 6, Approved Document Part F (Northern Ireland) and with the HARP efficiency requirements for Part L (Republic of Ireland).



# Agentis

## OIL BOILERS

Our outstanding selection of high efficiency, internal and external oil-fired boilers - including the UK & Ireland's only AA-rated oil boiler - will keep your customers and their loved ones warm and cosy during the chilly months ahead.

WARMFLOW  
**Agentis**  
High Efficiency Oil Boiler



★ Trustpilot



I have been fitting warmflow boilers for several years and can not fault them one bit. Competitive price and a high quality build. The warmflow team could not be more helpful unlike competitors. Nice as an installer to have regular contact and professional development with a team determined to make the installation of an oil fired boiler as easy and painless for both installer and consumer. Highly recommended.





**WARMFLOW**  
**Agentis**  
High Efficiency Oil Boiler



**INTERNAL HEAT ONLY**

I21 / I26 / I33 / I44

- High-efficiency condensing Internal range
- Designed to fit into any kitchen or utility room
- The latest Riello low NOx technology

AVAILABLE AS  
**WARMFLOW PROFESSIONAL**



**INTERNAL PUMPED**

I21 P / I26 P / I33 P / I44 P

- Riello low NOx technology
- Factory-fitted Grundfos UPM3 FLEX AS circulating pump
- Factory-fitted automatic air vent
- Factory-fitted 3 bar safety valve

**INTERNAL OIL BOILERS**

Designed to fit specifically into kitchen and utility rooms, its stylish white casing houses a highly efficient patented heat exchanger and the latest Riello low NOx technology.



Save up to 5 litres of fuel per week compared to other brands with the UK & Ireland's only AA-rated oil boiler\*



Unique "Easy-Fit" balanced flue system - 1 flue fits all boilers



Patented high-efficiency heat exchanger



New slimline design integrates seamlessly into any kitchen or utility room



Latest Riello low NOx technology exceeding legislative requirements



Range of outputs from 15 – 44kW

**WARMFLOW PROFESSIONAL**

All Warmflow Professional models come with:

**OVER £/€250**

WORTH OF FACTORY-FITTED EXTRAS

See page 10 for more details.



★ Trustpilot



AVAILABLE AS  
**WARMFLOW PROFESSIONAL**

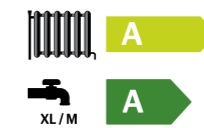


**INTERNAL SYSTEM**

I21 S / I26 S / I33 S

- Riello low NOx technology
- Factory-fitted Grundfos UPM3 FLEX AS circulating pump
- 12l Expansion vessel
- Factory-fitted automatic air vent
- Factory-fitted 3 bar safety valve

AVAILABLE AS  
**WARMFLOW PROFESSIONAL**



**INTERNAL COMBI**

I21 C / I26 C / I33 C

- AA Rating on M & XL load profile
- Riello low NOx technology
- Factory fitted Grundfos UPM3 FLEX AS circulating pump
- 24l Factory-fitted, hinged, expansion vessel
- Low component count
- DHW Expansion vessel
- DCW Inlet shut-off valve
- Factory-fitted DCW pressure reducing valve
- Push-in O-ring fittings
- Slimline design
- Integrated 7-day programmer
- Patented design

\*Figures based on manufacturer's official ErP Data Published June 18





**WARMFLOW**  
**Agentis**  
High Efficiency Oil Boiler



**EXTERNAL HEAT ONLY**

E21 / E26 / E33 / E44

- Latest Riello low NOx technology



AVAILABLE AS  
**WARMFLOW**  
**PROFESSIONAL**



**EXTERNAL PUMPED**

E21 P / E26 P / E33 P / E44 P

- Riello low NOx technology
- Factory-fitted Grundfos UPM3 FLEX AS circulating pump
- Factory-fitted automatic air vent
- Factory-fitted 3-bar safety valve

**EXTERNAL OIL BOILERS**

Designed for outdoor use with its IP45-rated, no maintenance, weatherproof casing, the Warmflow Agentis also features a highly efficient, patented heat exchanger and the latest Riello low NOx technology.

**WARMFLOW**  
**PROFESSIONAL**

All Warmflow Professional models come with:

**OVER**  
**£/€250**

WORTH OF  
FACTORY-FITTED EXTRAS

See page 10 for more details.



Save up to 5 litres of fuel per week compared to other brands with the UK & Ireland's only AA-rated oil boiler\*



Patented high-efficiency heat exchanger



Multi-directional flue options included as standard



Latest Riello low NOx technology exceeding legislative requirements



Range of outputs from 15 – 44kW



AVAILABLE AS  
**WARMFLOW**  
**PROFESSIONAL**



**EXTERNAL SYSTEM**

E21 S / E26 S / E33 S

- Riello low NOx technology
- Factory-fitted Grundfos UPM3 FLEX AS circulating pump
- 12l Expansion vessel
- Factory-fitted automatic air vent
- Factory-fitted 3-bar safety valve



AVAILABLE AS  
**WARMFLOW**  
**PROFESSIONAL**



**EXTERNAL COMBI**

E21 C / E26 C / E33 C

- AA Rating on M & XL load profile
- Riello low NOx technology
- Factory fitted Grundfos UPM3 FLEX AS circulating pump
- 24l Factory-fitted, hinged, expansion vessel
- Low component count
- DHW expansion vessel
- DCW inlet shut-off valve
- Factory-fitted DCW pressure reducing valve
- Push-in O-ring fittings
- Slimline design
- Integrated 7-day programmer
- Patented design

★ Trustpilot



\*Figures based on manufacturer's official ErP Data Published June 18





**WARMFLOW**  
**Agentis**  
High Efficiency Oil Boiler

## BOILERHOUSE OIL BOILERS

The Boilerhouse range has been specifically designed for boiler house and garage applications and is suitable for indoor installation.

Its blue casing houses a highly efficient heat exchanger that can be easily accessed for servicing. The latest in Riello low NOx burner technology makes the Boilerhouse range quiet in operation and the perfect choice in oil-fired boilers.

All Boilerhouse models are fully factory wired with burner and thermostat and are supplied with a factory-fitted condensate trap as standard. The appliance has flow and return connections off the top for ease of plumbing.



Range of outputs from 15 – 33kW



### GOOD TO KNOW

The Boilerhouse Boilers are supplied with a pre-wired, factory-fitted burner and thermostat. Only one IE320 mains socket (supplied) needs to be wired on site.



### AN ENVIRONMENTAL INVESTMENT

Designed to be environmentally friendly, Warmflow boilers are highly efficient in operation and are ErP A-rated.

★ Trustpilot



# THE NEXT GENERATION OF OIL BOILERS

**WARMFLOW**  
**Agentis**  
High Efficiency Oil Boiler  
**PROFESSIONAL**



★ Trustpilot



Teddington fire valve with 9m capillary<sup>†</sup>



Oil line installation kit with a Crossland oil filter



ADEY Magnaclean pro 2 filter



Pre-wired Grundfos UPM3 Flex AS Circulating Pump\*



Includes 2 Bottles of Inhibitor

<sup>†</sup>9m capillary as standard with an Internal boiler, 3m capillary as standard with an External boiler.  
\*available on pumped, system and combi professional models.



# MODEL SPECIFICATIONS

INTERNAL													
Model	Output (kW)	Flue Options	C/F size (mm)	ErP Rating			Height (mm)	Depth (mm)	Width (mm)	Connections		Service Access	DHW Flow (l/min)
				CH	DHW	Flow				Return			
				M	XL								
<b>HEAT ONLY</b>													
I21	15-21	C/F, low/ high/ vertical B/F	100	A	n/a	n/a	865	602	413	28mm	1" BSP	front	n/a
I26	21-27	C/F, low/ high/ vertical B/F	100	A	n/a	n/a	865	602	413	28mm	1" BSP	front	n/a
I33	27-33	C/F, low/ high/ vertical B/F	100	A	n/a	n/a	865	602	413	28mm	1" BSP	front	n/a
I44	33-44	C/F, low/ high/ vertical B/F	100	A	n/a	n/a	1155	872	595	1½" BSP	1½" BSP	front	n/a
<b>PRE PUMPED</b>													
I21P	15-21	C/F, low/ high/ vertical B/F	100	A	n/a	n/a	865	602	413	28mm	22mm	front	n/a
I26P	21-27	C/F, low/ high/ vertical B/F	100	A	n/a	n/a	865	602	413	28mm	22mm	front	n/a
I33P	27-33	C/F, low/ high/ vertical B/F	100	A	n/a	n/a	865	602	413	28mm	28mm	front	n/a
I44P	33-44	C/F, low/ high/ vertical B/F	100	A	n/a	n/a	1155	872	595	28mm	1½" BSP	front	n/a
<b>SYSTEM</b>													
I21S	15-21	C/F, low/ high/ vertical B/F	100	A	n/a	n/a	865	602	413	28mm	22mm	front	n/a
I26S	21-27	C/F, low/ high/ vertical B/F	100	A	n/a	n/a	865	602	413	28mm	22mm	front	n/a
I33S	27-33	C/F, low/ high/ vertical B/F	100	A	n/a	n/a	865	602	413	28mm	28mm	front	n/a
<b>COMBI</b>													
I21C	15-21	C/F, low/ high/ vertical B/F	100	A	A	A	865	602	515	22mm	22mm	front/top	18
I26C	21-27	C/F, low/ high/ vertical B/F	100	A	A	A	865	602	515	22mm	22mm	front/top	22*
I33C	27-33	C/F, low/ high/ vertical B/F	100	A	A	A	865	602	515	22/28mm	22/28mm	front/top	24*
<b>PROFESSIONAL</b>													
I21PPRO	15-21	C/F, low/ high/ vertical B/F	100	A	n/a	n/a	865	602	413	28mm	22mm	front	n/a
I26PPRO	21-27	C/F, low/ high/ vertical B/F	100	A	n/a	n/a	865	602	413	28mm	22mm	front	n/a
I33PPRO	27-33	C/F, low/ high/ vertical B/F	100	A	n/a	n/a	865	602	413	28mm	28mm	front	n/a
I21SPRO	15-21	C/F, low/ high/ vertical B/F	100	A	n/a	n/a	865	602	413	28mm	22mm	front	n/a
I26SPRO	21-27	C/F, low/ high/ vertical B/F	100	A	n/a	n/a	865	602	413	28mm	22mm	front	n/a
I33SPRO	27-33	C/F, low/ high/ vertical B/F	100	A	n/a	n/a	865	602	413	28mm	28mm	front	n/a
I21CPRO	15-21	C/F, low/ high/ vertical B/F	100	A	A	A	865	602	515	22mm	22mm	front/top	18
I26CPRO	21-27	C/F, low/ high/ vertical B/F	100	A	A	A	865	602	515	22mm	22mm	front/top	22*
I33CPRO	27-33	C/F, low/ high/ vertical B/F	100	A	A	A	865	602	515	22/28mm	22/28mm	front/top	24*

\*Remove flow restrictor for above 18l/min. Output dependent on incoming pressure/volume.

All boilers are compatible with biofuel however they must be commissioned on site and the flexible fuel line(s), nozzle and fuel filter replaced. Please contact Warmflow for further details.

EXTERNAL													
Model	Output (kW)	Flue Options	C/F size (mm)	ErP Rating			Height (mm)	Depth (mm)	Width (mm)	Connections		Service Access	DHW Flow (l/min)
				CH	DHW	Flow				Return			
				M	XL								
<b>HEAT ONLY</b>													
E21	15-21	L,R or rear. Optional Top	n/a	A	n/a	n/a	900	700	413	28mm	1" BSP	front	n/a
E26	21-27	L,R or rear. Optional Top	n/a	A	n/a	n/a	900	700	413	28mm	1" BSP	front	n/a
E33	27-33	L,R or rear. Optional Top	n/a	A	n/a	n/a	900	700	413	28mm	1" BSP	front	n/a
E44	33-44	L,R or rear. Optional Top	n/a	A	n/a	n/a	1155	876	595	1½" BSP	1½" BSP	front	n/a
<b>PRE PUMPED</b>													
E21P	15-21	L,R or rear. Optional Top	n/a	A	n/a	n/a	900	700	413	28mm	22mm	front	n/a
E26P	21-27	L,R or rear. Optional Top	n/a	A	n/a	n/a	900	700	413	28mm	22mm	front	n/a
E33P	27-33	L,R or rear. Optional Top	n/a	A	n/a	n/a	900	700	413	28mm	28mm	front	n/a
E44P	33-44	L,R or rear. Optional Top	n/a	A	n/a	n/a	1155	876	595	28mm	1½" BSP	front	n/a
<b>SYSTEM</b>													
E21S	15-21	L,R or rear. Optional Top	n/a	A	n/a	n/a	900	700	413	28mm	22mm	front	n/a
E26S	21-27	L,R or rear. Optional Top	n/a	A	n/a	n/a	900	700	413	28mm	22mm	front	n/a
E33S	27-33	L,R or rear. Optional Top	n/a	A	n/a	n/a	900	700	413	28mm	28mm	front	n/a
<b>COMBI</b>													
E21C	15-21	L,R or rear. Optional Top	n/a	A	A	A	900	700	550	22mm	22mm	front/top	18
E26C	21-27	L,R or rear. Optional Top	n/a	A	A	A	900	700	550	22mm	22mm	front/top	22*
E33C	27-33	L,R or rear. Optional Top	n/a	A	A	A	900	700	550	22/28mm	22/28mm	front/top	24*
<b>PROFESSIONAL</b>													
E21PPRO	15-21	L,R or rear. Optional Top	n/a	A	n/a	n/a	900	700	413	28mm	22mm	front	n/a
E26PPRO	21-27	L,R or rear. Optional Top	n/a	A	n/a	n/a	900	700	413	28mm	22mm	front	n/a
E33PPRO	27-33	L,R or rear. Optional Top	n/a	A	n/a	n/a	900	700	413	28mm	28mm	front	n/a
E21SPRO	15-21	L,R or rear. Optional Top	n/a	A	n/a	n/a	900	700	413	28mm	22mm	front	n/a
E26SPRO	21-27	L,R or rear. Optional Top	n/a	A	n/a	n/a	900	700	413	28mm	22mm	front	n/a
E33SPRO	27-33	L,R or rear. Optional Top	n/a	A	n/a	n/a	900	700	413	28mm	28mm	front	n/a
E21CPRO	15-21	L,R or rear. Optional Top	n/a	A	A	A	900	700	550	22mm	22mm	front/top	18
E26CPRO	21-27	L,R or rear. Optional Top	n/a	A	A	A	900	700	550	22mm	22mm	front/top	22*
E33CPRO	27-33	L,R or rear. Optional Top	n/a	A	A	A	900	700	550	22/28mm	22/28mm	front/top	24*
<b>BOILER HOUSE</b>													
B21	15-21	C/F, low/ high/ vertical B/F	100	A	n/a	n/a	697	600	395	1" BSP	1" BSP	front	n/a
B26	21-27	C/F, low/ high/ vertical B/F	100	A	n/a	n/a	697	600	395	1" BSP	1" BSP	front	n/a
B33	27-33	C/F, low/ high/ vertical B/F	100	A	n/a	n/a	697	600	395	1" BSP	1" BSP	front	n/a

\*Remove flow restrictor for above 18l/min. Output dependent on incoming pressure/volume.

All boilers are compatible with biofuel however they must be commissioned on site and the flexible fuel line(s), nozzle and fuel filter replaced. Please contact Warmflow for further details.



# FLUE & PLUME MANAGEMENT KITS

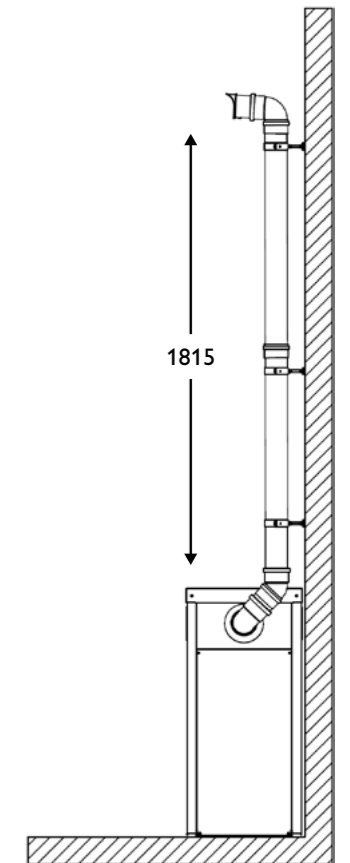
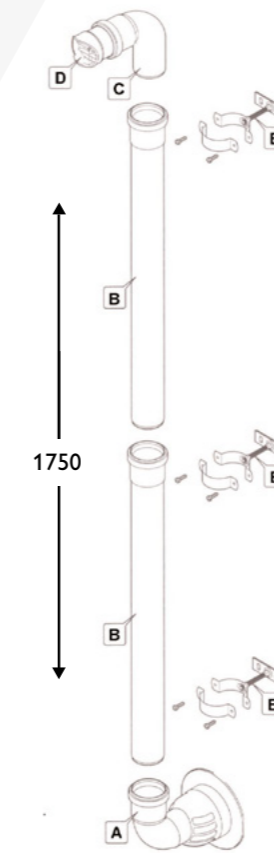
Warmflow's Easy-Fit, plastic flue systems have been specifically designed for use on high efficiency, condensing oil boilers.

With the Warmflow Agentis range, you don't need to carry different flue systems for different jobs - with us, one flue will fit all our boilers. Additional benefits include the locking clamp arrangement which offers superior rigidity and security compared with traditional push-fit flues. Since the flue system is plastic all extension and terminal sections can be easily cut to length as required.

**All flue kits include:**

- Boiler adapter and starter piece
- End terminal
- Flue fittings kit
- Thermal guard (FBF)
- 1000mm extension (HBF)
- 87° bend (HBF)

In instances where discharging flue gasses at low level may cause a problem, such as in a small courtyard or narrow passageway, a Plume Management Kit may provide a useful addition to a standard low-level flue. The kit features extensions and bends in 80mm black UV-stabilised polypropylene and also includes adjustable mounting brackets. Plume Management Kits are suitable for all models up to 44kW (see notes).



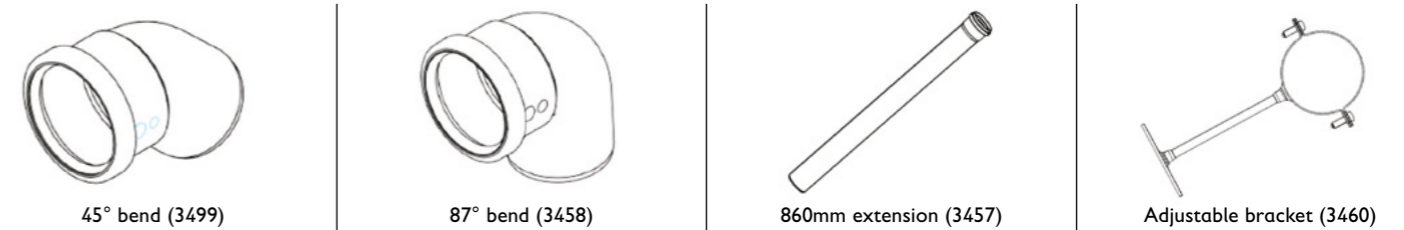
**KEY**

- A - Diverter elbow
- B - 860mm extension
- C - 87° bend
- D - Terminal insert
- E - Adjustable bracket
- F - 45° bend

Note: FBF kit also required Utility (Internal) Plume Management Kit (U-Pmk)

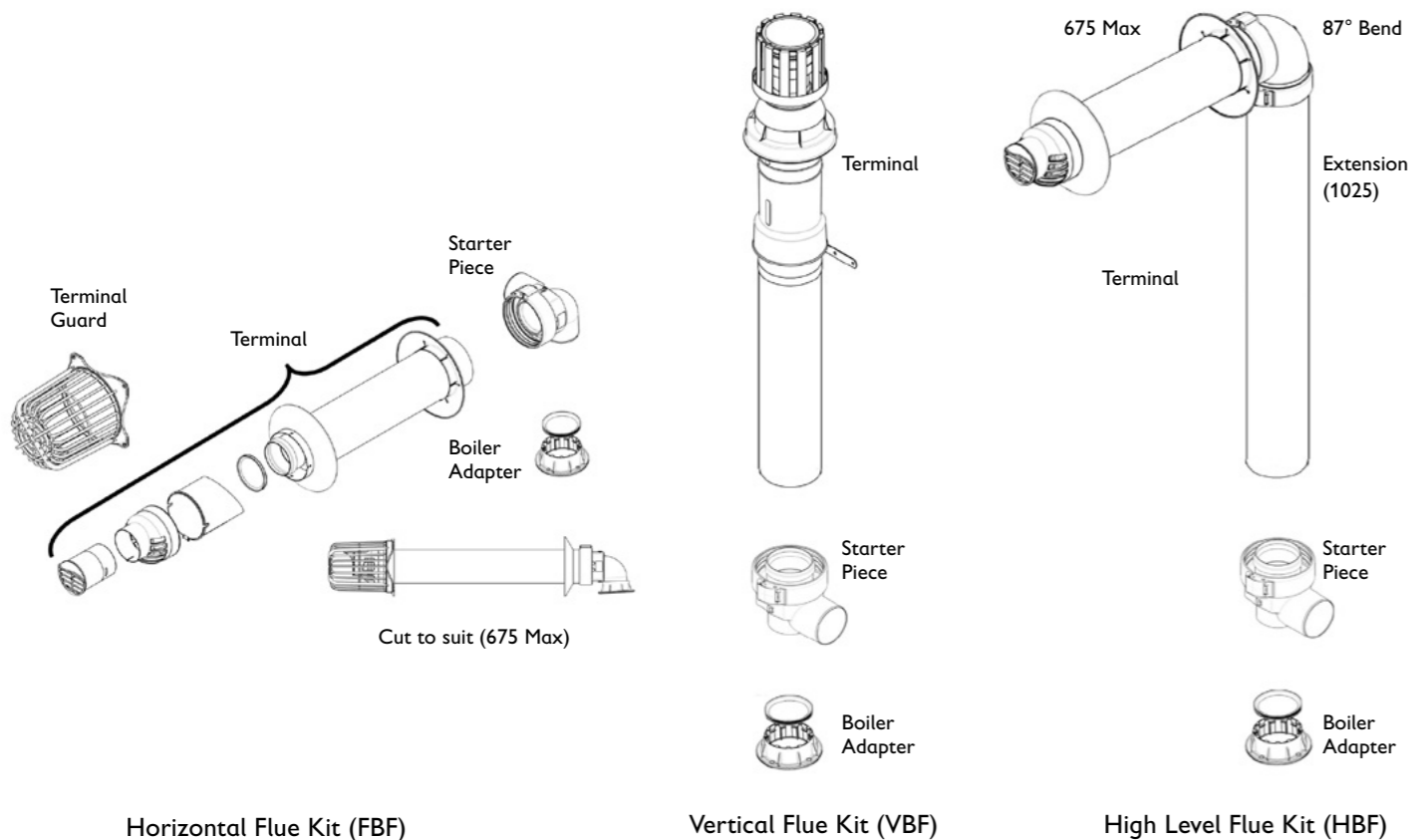
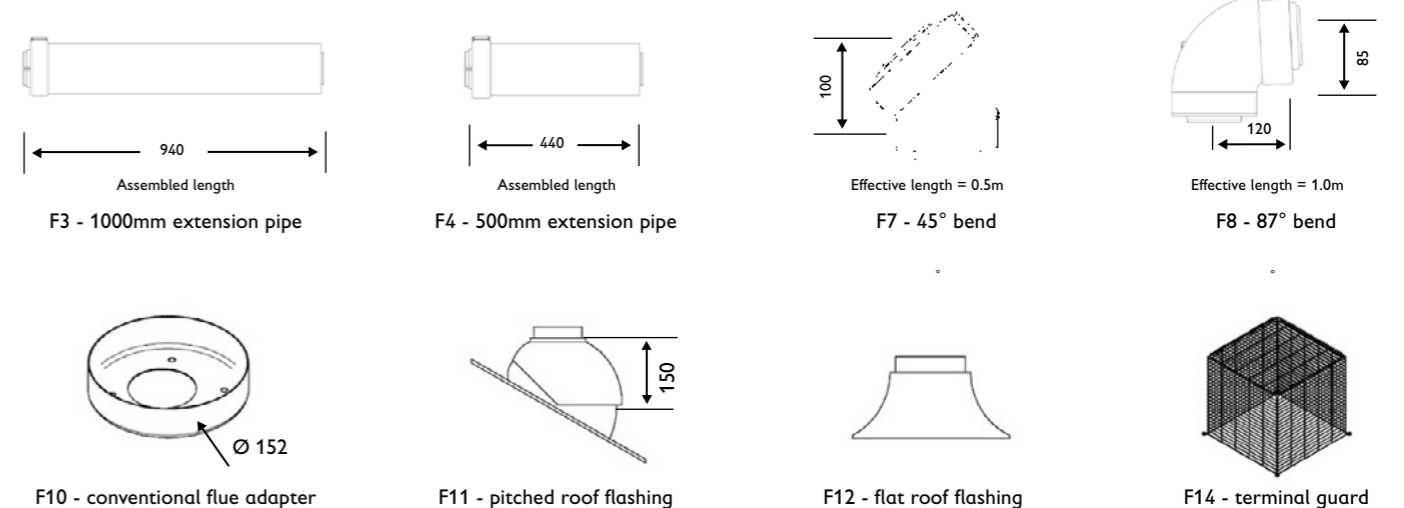
Kabin-Pak (External) Plume Management Kit (K-Pmk)

The following components are available separately



Note: The Utility (Internal) Plume Management Kit (U-PMK) is designed to extend an FBF flue kit. Both an FBF and U-PMK are required to assemble the complete flue.

**HE FLUE KIT ACCESSORIES**



Horizontal Flue Kit (FBF)

Vertical Flue Kit (VBF)

High Level Flue Kit (HBF)



# FLEXI LINER KITS & ACCESSORIES

With Warmflow's flexible flue liners, connecting a condensing boiler to an existing chimney couldn't be easier. No separate combustion air supply is needed as our flue liners use the chimney for the supply of combustion air, providing a room-sealed installation.

With the Agentis range, you don't need to carry different flue systems for different jobs - with us, one flue will fit all our boilers.

Four kits are available in a choice of either 6 metre or 10 metre flexible sections, with either vertical or horizontal entry options. The connection between the boiler and chimney is made using Warmflow's plastic flue system, so both the flexible liner within the chimney and the rigid flue connecting the boiler can easily be cut to length as required.

Flexi Liner Kits are suitable for all indoor models up to 26kW. For outputs in excess of 26kW, please consult our Customer Care Centre.

## All 4 kits include:

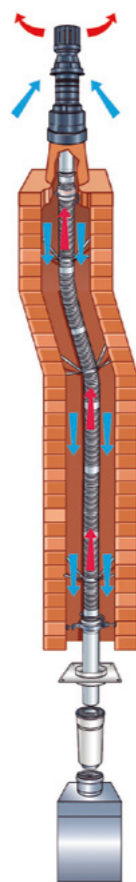
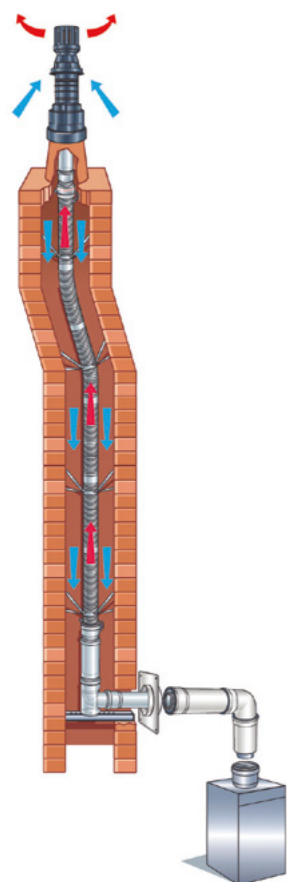
- boiler adapter
- vertical starter piece
- flue fittings kit
- flue thermostat
- chimney closure plate
- terminal section
- flexible liner
- liner spacers and couplings

## Horizontal kits also include:

- 2 x 0.5 metre balanced flue extensions
- 1 x 87° balanced flue bend
- 1 x 87° liner support elbow

## Vertical kits also include:

- 1 x 0.5 metre balanced flue extension

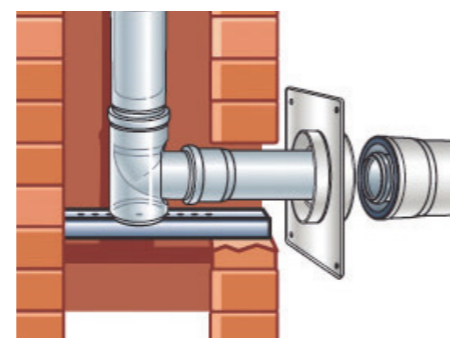


## Vertical Entry Kit

VFL6 = 6m vertical entry kit  
VFL10 = 10m vertical entry kit

## Horizontal Entry Kit

HFL6 = 6m horizontal entry kit  
HFL10 = 10m horizontal entry kit



# Nero

Hot Water Cylinder

The ideal choice for mains pressure, hot water cylinders. A water heating masterpiece.



## QUALITY DESIGN WITH BUILT-IN RELIABILITY

The cylinder range from Warmflow has been designed to satisfy the hot water needs of even the most demanding consumer. The innovative design of our range of WRAS approved, unvented cylinders ensures that you benefit from the large hot water volumes.

From the large heat exchangers to the high performance foam insulation, no effort has been spared in developing these market leading hot water cylinders.

Our unvented cylinders work at mains pressure, so they provide outstanding hot water flow rates, far exceeding those experienced with a combi boiler or traditional vented cylinder. As a result, baths fill quickly and showers are invigorating. In addition, due to the inlet control group we supply with a balanced cold water connection, all the hot and cold taps in the house operate at the same pressure and blending valves work at their best to ensure consistent, comfortable hot water temperatures. For ease of installation cylinder connections are made using compression fittings reducing installation time & cost.

Rather than using thin wall corrugated flexible tube for our heat exchanger coils, we use rigid smooth wall exchangers formed from high quality stainless steel pipe, as we believe this provides greater stability, quality and durability. Our coils are formed from long lengths of pipe, so they have large surface areas for heat transfer.

All our models are manufactured from high quality duplex stainless steel, a strong and lightweight material ideal for unvented cylinders. Our range is fully third-party tested, approved and certified. Employing patented design features, innovative manufacturing techniques and industry best practice, our cylinders have a 'crevice-free' construction which, combined with the use of Duplex stainless steel, ensures corrosion resistance and a long service life.

This, and the fact that we test every cylinder to in excess of the maximum pressure it will experience in operation, means we can confidently offer a 25 year guarantee. So peace of mind comes as standard.

### SOLAR PV



Thinking about, or have Solar PV?

The immersions on all Nero Cylinders are compatible with 3rd party Solar PV immersion controllers.

### AN ENVIRONMENTAL INVESTMENT

We use a thick layer of high quality polyurethane insulation, saving precious fuel and reducing carbon dioxide emissions.



Our insulation is also CFC/HCFC-free, has a zero Ozone Depletion Potential (ODP) and a Global Warming Potential of only 2. Due to the large surface areas of our heat exchangers it is also possible for a condensing boiler to work in condensing mode for longer, and cycle less frequently when heating the hot water, thereby helping to further reduce fuel use and emissions.



TRIPLE COIL TR290V



TWIN COIL TW240UV



HEAT PUMP HP200UV



TWIN COIL TW170UV



INDIRECT 140UV



DIRECT DI110UV





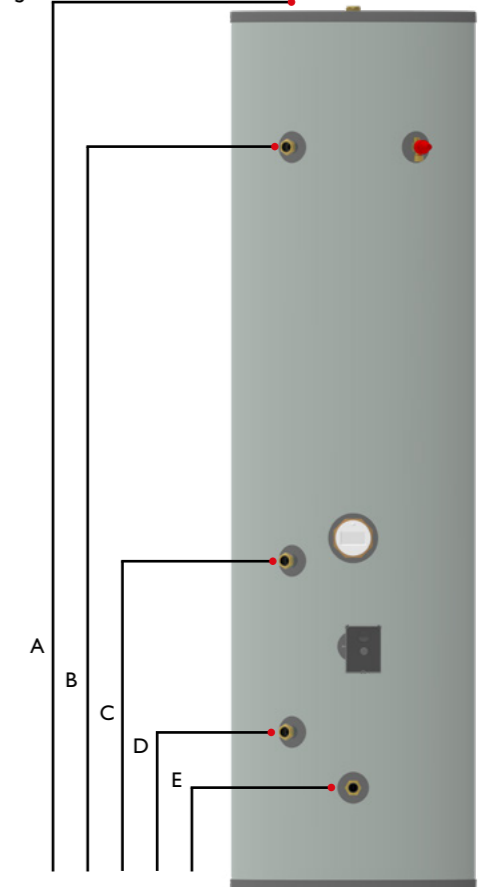
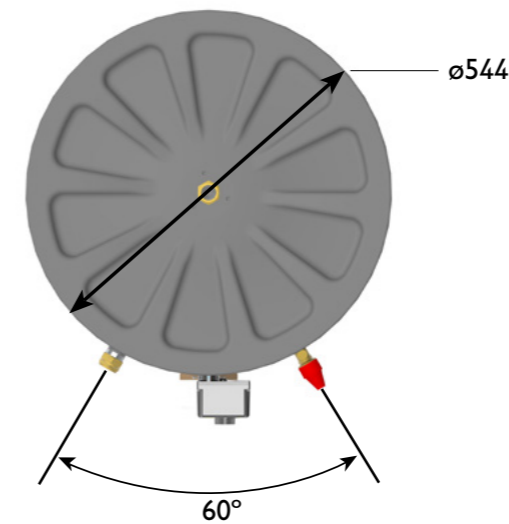
## INDIRECT CYLINDER (UNVENTED)

Available in six sizes from 110 to 290 litres to suit the vast majority of domestic installations, our Indirect models are the core of our cylinder range.

Thanks to their large surface area and high performance heat exchange coils, the Indirect models boast impressive heat-up times - the 170 litre model taking just 25 minutes to reach 60°C from cold.

Our Indirect models, like the rest of the unvented range, are designed to be fed directly from the mains water supply via the inlet group supplied, which is capable of receiving incoming water at pressures up to a maximum of 16 bar.

In order to achieve the best performance from our unvented cylinders, the mains water supply must be capable of supplying a flow rate of at least 20 litres per minute with a dynamic pressure of at least 1.5 bar. Should the supply performance be less than this the hot water flow rates will be reduced, however a Warmflow unvented cylinder may still be installed and the benefits of a fast heat-up time and minimal heat losses can still be enjoyed.



## EASE OF INSTALLATION

Our cylinders are supplied with all the necessary parts for a quick, easy, professional installation. We supply only high-quality components from recognised, market-leading suppliers.

### COMPONENTS SUPPLIED INCLUDE

- Inlet group complete with strainer, pressure-reducing valve, balanced cold connection (except vented)
- Incoloy 3kW immersion heater(s)
- 2 Port zone valve (except Direct, Heat Pump & vented models)
- Expansion vessel complete with hanging bracket (except Vented models)



Available in Indirect, Twin Coil, Twin Coil (Vented), Triple Coil (Vented), Direct and Heat Pump models



Volumes from 110 to 290 litres



Duplex stainless steel construction



316 stainless fittings and grey leathergrain casing



High performance rigid coils

### INDIRECT CYLINDER

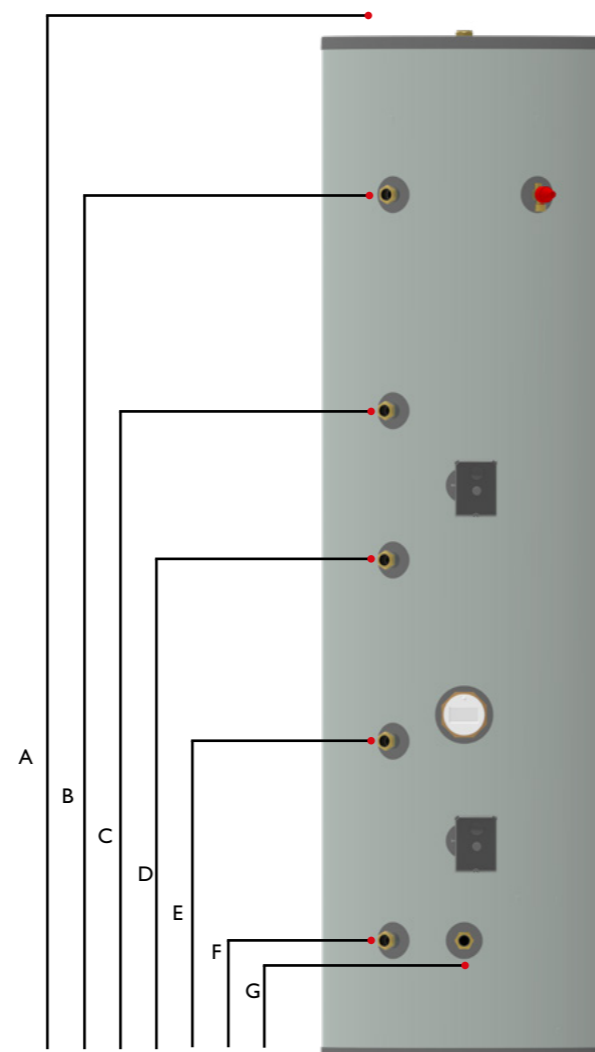
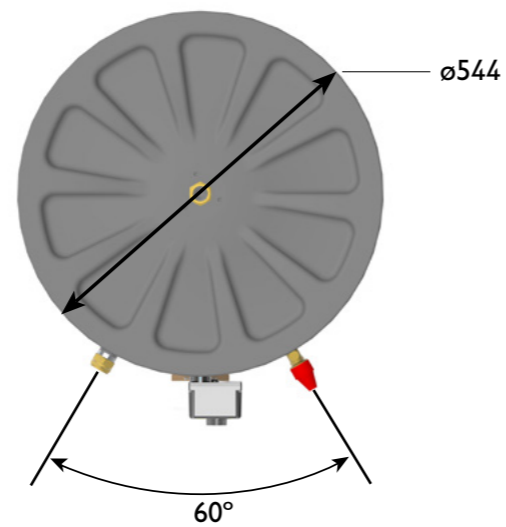
	IN110UV	IN140UV	IN170UV	IN200UV	IN240UV	IN290UV
<b>DIMENSIONS</b>						
(A) Height (mm)	830	1005	1205	1380	1655	1940
(B) Secondary return connection (mm)	-	-	-	1080	1355	1640
(C) Primary coil upper connection (mm)	451	511	605	605	657	728
(D) Primary coil lower connection (mm)	168	228	228	228	279	351
(E) Cold Inlet Connection (mm)	168	228	228	228	228	228
<b>OPERATING DATA</b>						
Rated volume (litres)	107	135	165	194	233	281
Weight when full (kg)	140	180	210	240	290	350
Standing heat loss (kWh/24h)	1.43	1.41	1.68	1.78	2.08	2.15
<b>PERFORMANCE</b>						
Primary coil rating @ 15L/min (kW)	10.15	12.91	17.51	16.81	15.72	14.66
Heat up time (EN12897) (mins)	23	26	25	33	42	49
ERP RATING	C	C	C	C	C	C



## TWIN COIL CYLINDER (UNVENTED)

Our Twin Coil unvented models have all the features and benefits of the Indirect models but come with an additional coil for use with a renewable heat source, or an additional boiler. The models feature large dedicated renewable volumes, making them suitable for use with solar thermal systems in line with the recommendations in the Domestic Building Services Compliance Guide.

The renewable coil (the lower of the two coils) has a large surface area to maximise the use of available low grade heat from a renewable resource. The immersion heater and cylinder thermostats for both coils are supplied. Twin Coil models (200 litres & above) feature a dedicated 22mm connection for use with a secondary return (pumped circulation).



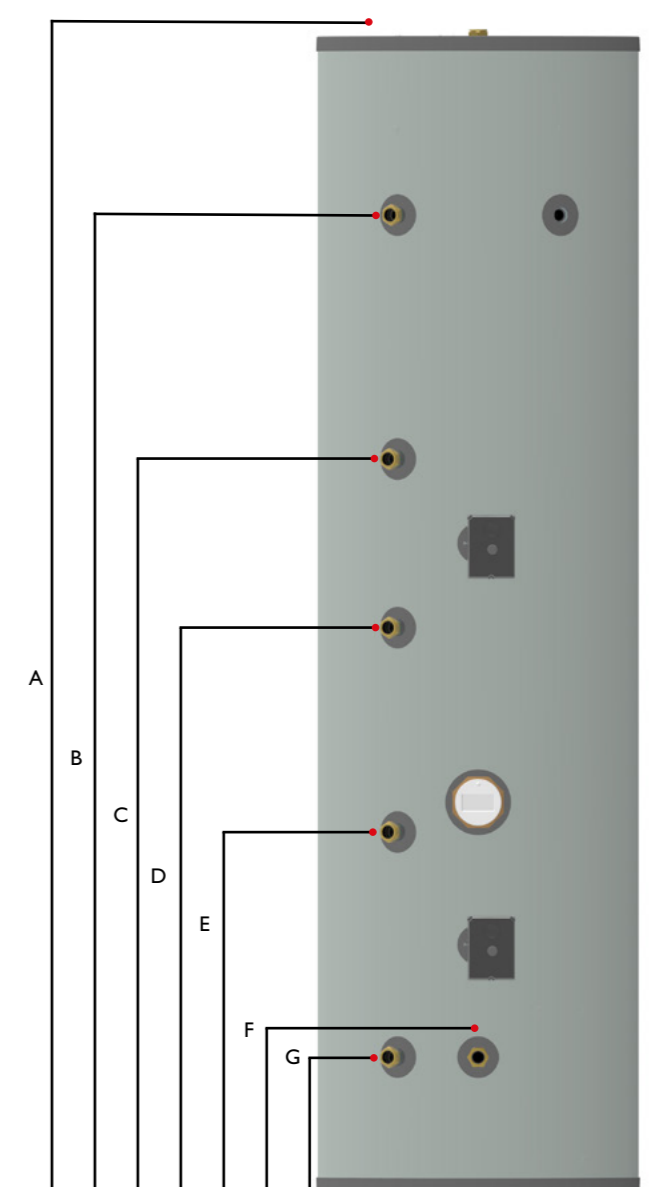
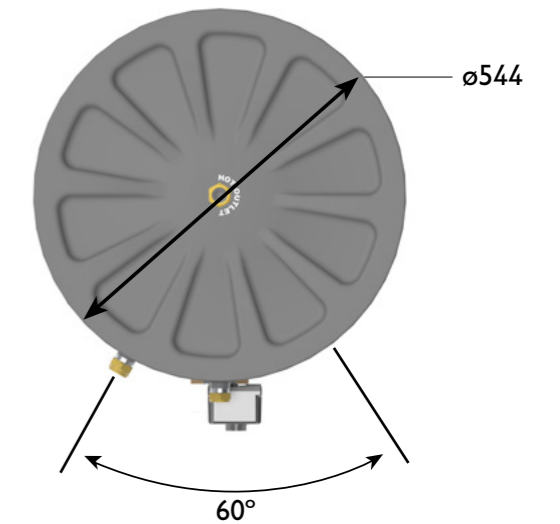
### TWIN COIL (UNVENTED)

	TW170UV	TW200UV	TW240UV	TW290UV
<b>DIMENSIONS</b>				
(A) Height (mm)	1205	1380	1655	1940
(B) Secondary return connection (mm)	-	1080	1355	1640
(C) Primary coil upper connection (mm)	883	988	1088	1231
(D) Primary coil lower connection (mm)	601	705	806	948
(E) Renewable coil upper connection (mm)	511	605	605	605
(F) Renewable coil lower connection (mm)	228	228	228	228
(G) Cold Inlet Connection	228	228	228	228
<b>OPERATING DATA</b>				
Cold water capacity (litres)	165	194	233	281
Weight when full (kg)	210	240	290	350
Standing heat loss (kWh/24h)	1.66	1.97	2.12	2.26
Dedicated renewable volume (litres)	83	97	117	141
<b>PERFORMANCE</b>				
Primary coil rating @ 15L/min (kW)	14.27	14.35	14.28	14.64
Renewable coil rating @ 15L/min (kW)	12.33	16.62	16.47	15.82
Primary heat up time (EN12897) (mins)	19	22	29	35
<b>ERP RATING</b>				
	C	C	C	C

## TWIN COIL CYLINDER (VENTED)

Our Twin Coil vented models have all the features and benefits of the Indirect models but come with an additional coil for use with a solar heat source, or an additional boiler. The models feature large dedicated renewable volumes, making them suitable for use with solar thermal systems in line with the recommendations in the Domestic Building Services Compliance Guide.

The renewable coil (the lower of the two coils) has a large surface area to maximise the use of available low grade heat from a renewable resource. The immersion heater and cylinder thermostats for both coils are supplied. Twin Coil models (200 litres & above) feature a dedicated 22mm connection for use with a secondary return (pumped circulation).



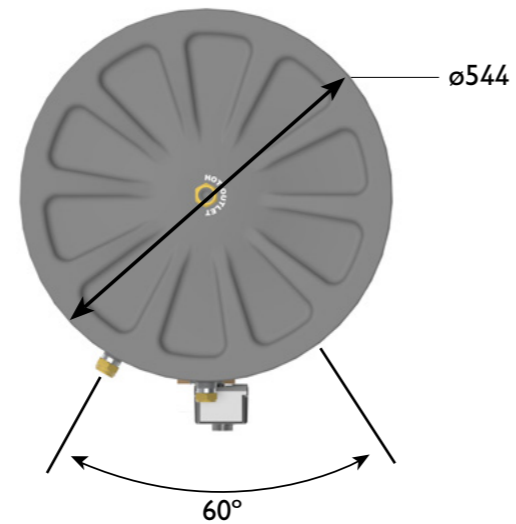
### TWIN COIL (VENTED)

	TW200V	TW240V	TW290V
<b>DIMENSIONS</b>			
(A) Height (mm)	1380	1655	1940
(B) Secondary return connection (mm)	1080	1355	1640
(C) Primary coil upper connection (mm)	988	1088	1231
(D) Primary coil lower connection (mm)	705	806	948
(E) Renewable coil upper connection (mm)	605	605	605
(F) Cold inlet connection (mm)	228	228	228
(G) Renewable coil lower connection (mm)	228	228	228
<b>OPERATING DATA</b>			
Cold water capacity (litres)	194	233	281
Weight when full (kg)	240	290	350
Standing heat loss (kWh/24h)	1.97	2.12	2.26
Dedicated renewable volume (litres)	97	117	141
<b>PERFORMANCE</b>			
Primary coil rating @ 15L/min (kW)	14.35	14.28	14.64
Renewable coil rating @ 15L/min (kW)	16.62	16.47	15.82
Primary heat up time (EN12897) (mins)	22	29	35
<b>ERP RATING</b>			
	C	C	C

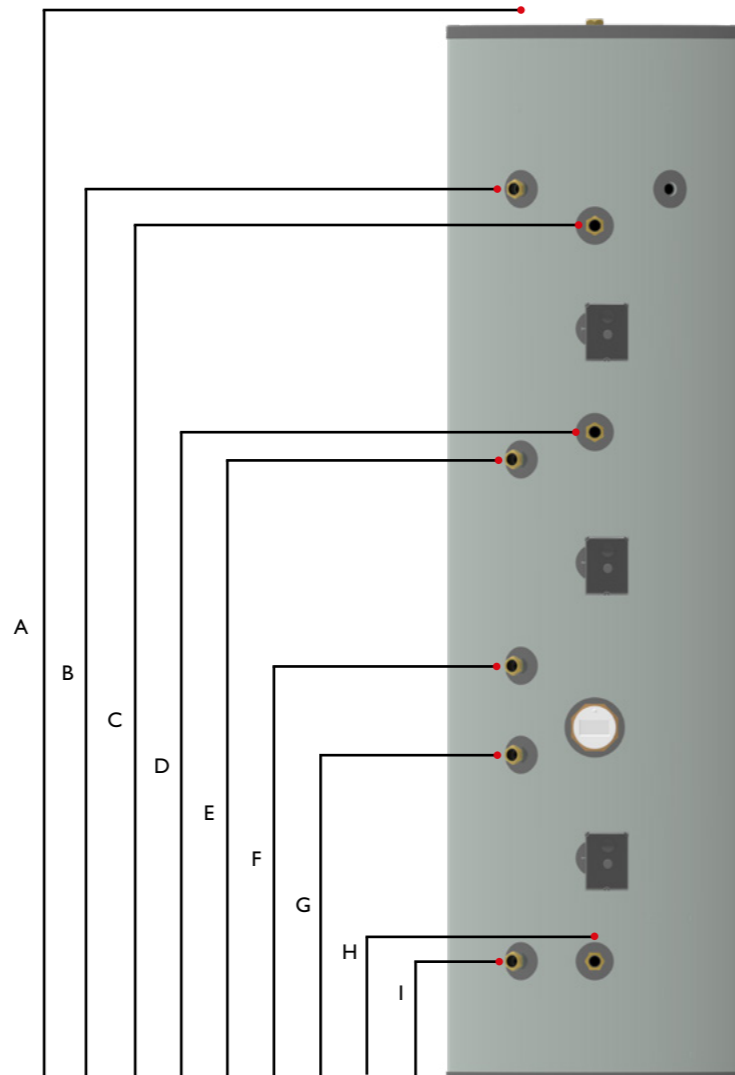


## TRIPLE COIL CYLINDER (VENTED)

Our Triple Coil vented cylinders feature a total of three 22mm heat exchanger coils. This flexibility means that, for example, the cylinder might be heated by a solar thermal system via the renewable coil, a wood pellet boiler supplying the primary coil and a back-up oil or gas boiler on the tertiary coil.



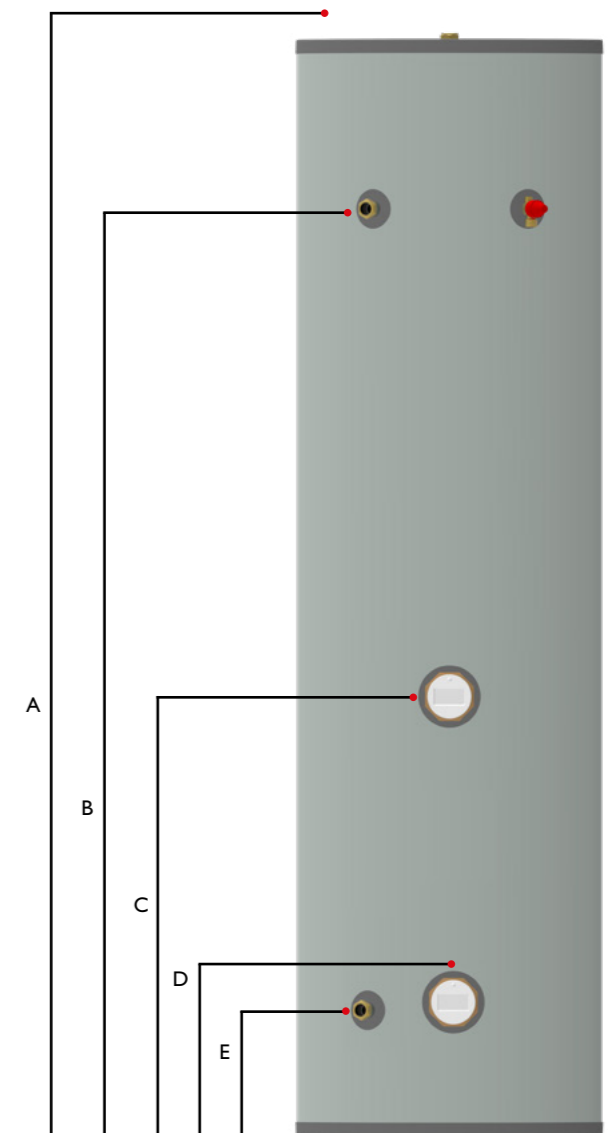
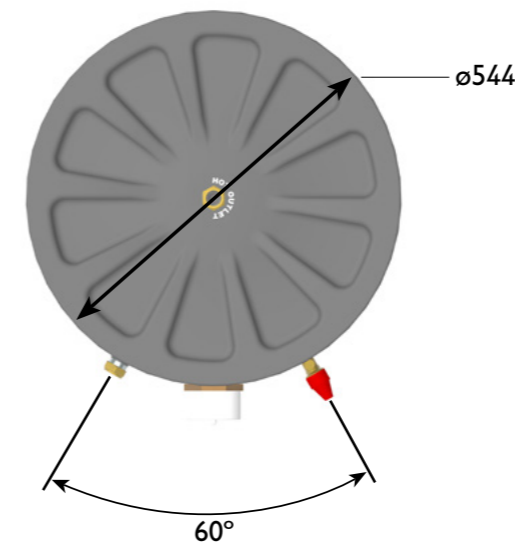
TRIPLE COIL		
	TR240V	TR290V
<b>DIMENSIONS</b>		
(A) Height (mm)	1655	1940
(B) Secondary return connection (mm)	1355	1640
(C) Tertiary coil upper connection (mm)	1290	1573
(D) Tertiary coil lower connection (mm)	1008	1195
(E) Primary coil upper connection (mm)	988	1145
(F) Primary coil lower connection (mm)	705	768
(G) Renewable coil upper connection (mm)	605	605
(H) Cold inlet connection (mm)	228	228
(I) Renewable coil lower connection (mm)	228	228
<b>OPERATING DATA</b>		
Cold water capacity (litres)	233	281
Weight when full (kg)	290	350
Standing heat loss (kWh/24h)	2.16	2.30
Dedicated renewable volume (litres)	96	107
<b>PERFORMANCE</b>		
Primary coil rating @ 15L/min (kW)	14.36	17.68
Renewable coil rating @ 15L/min (kW)	16.42	15.43
Tertiary coil rating @ 15L/min (kW)	14.44	18.67
Primary heat up time (EN12897) (mins)	33	34
ERP RATING	C	C



## DIRECT CYLINDER (UNVENTED)

The electrically heated Direct cylinders are designed for instances where the use of fossil fuels is impractical or unavailable. Featuring two immersion heaters, one heating the entire cylinder volume and the other heating a boost volume at the top, the cylinders are able to make use of the Economy 7 tariff in order to minimise the cost of hot water.

If used in this way, the cylinder should be sized to provide the complete anticipated daily hot water use, thereby reducing the use of the boost element which runs on the more expensive standard tariff.



DIRECT CYLINDER						
	DI110UV	DI140UV	DI170UV	DI200UV	DI240UV	DI290UV
<b>DIMENSIONS</b>						
(A) Height (mm)	830	1005	1205	1380	1655	1940
(B) Secondary return connection (mm)	-	-	-	1080	1355	1640
(C) Upper immersion (mm)	393	481	581	668	806	948
(D) Lower immersion (mm)	239	239	239	239	239	239
(E) Cold inlet connection (mm)	228	228	228	228	228	228
<b>OPERATING DATA</b>						
Rated volume (litres)	107	136	165	194	233	281
Weight when full (kg)	140	180	210	240	290	350
Standing heat loss (kWh/24h)	1.43	1.41	1.68	1.78	2.08	2.15
<b>PERFORMANCE</b>						
Heat up time by lower immersion (mins)	121	154	198	237	287	345

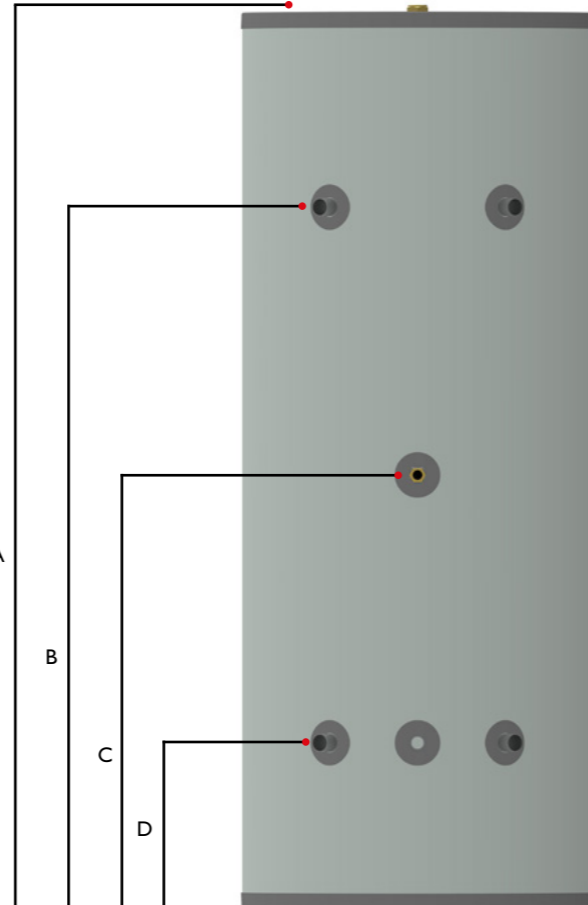
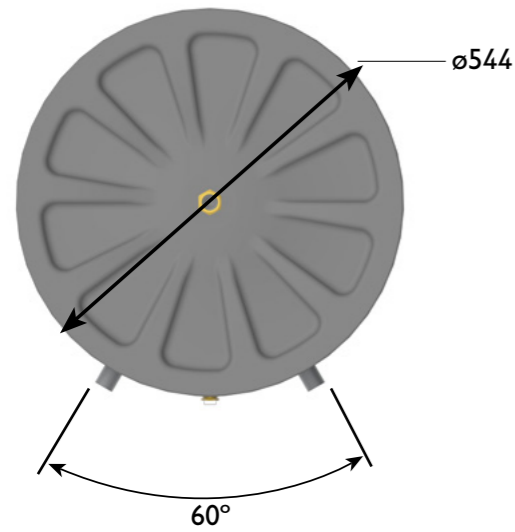


**WARMFLOW**  
**Nero**  
**BUFFER TANK**



Warmflow Nero Buffer Tanks are made from high-quality, duplex stainless steel and are of crevice-free construction maximising product durability. Floor-standing, and available in both 110 litre and 200 litre capacities, the Nero Buffer Tank is the perfect solution for any installation scenario where increased thermal capacity is required.

They are suitable for heating systems incorporating all manner of heat sources, including ground and air source heat pumps, biomass boilers, as well as liquid-fuelled or gas-fired appliances. High insulation levels reduce product heat loss, offering enhanced thermal efficiency, reduced heating system cycling, and providing consistent, demand-oriented heating system performance.



BUFFER TANK		
	BT110	BT200
<b>DIMENSIONS</b>		
(A) Height (mm)	830	1380
(B) Flow Connections (mm)	530	1080
(C) Thermostat Pocket (mm)	393	668
(D) Return Connections (mm)	257	257
<b>OPERATING DATA</b>		
Rated volume (litres)	107	194
Weight when full (kg)	140	240
Standing heat loss (kWh/24h)	1.43	1.78

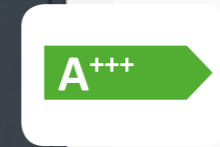
**WARMFLOW**  
**Zeno**  
**Renewable Energy**

**RENEWABLE ENERGY**

High-efficiency, low emission appliances with a range of outputs to suit any installation.

- AIR SOURCE HEAT PUMPS
- GROUND SOURCE HEAT PUMPS
- BIOMASS WOOD PELLET BOILER
- WARMFLOW HEAT PUMP CYLINDERS





# WARMFLOW Zeno

## AIR SOURCE

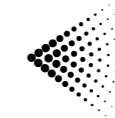
Air to water heat pumps are an increasingly popular choice for homeowners. They can be easily integrated into heating systems, offer excellent energy savings and can help reduce your carbon footprint. Designed to work in lower temperature conditions they are suitable for installation in a wide range of accommodation including smaller houses to larger properties. Electricity is required to operate the appliance resulting in approximately 75% of the energy used coming from renewable sources helping to reduce your carbon footprint.

Using technology which is similar to that which is used in a common household fridge, our Zeno heat pump harnesses the natural heat energy from the air by blowing it through a highly finned evaporator coil. The heat pump then increases the temperature and the heat is used to provide heating & hot water for your home. All Warmflow Zeno air source heat pumps come with Warmlink, Warmflow's cloud based remote control technology which provides effortless and easy to use remote control access for engineers.

## Why Warmflow Zeno?



**3 MODELS**  
Zeno 8kW, 12kW & 20kW



**ENHANCED VAPOUR INJECTION (EVI) TECHNOLOGY**  
Extends the operating envelope of the unit.



**QUIET OPERATION**  
All products are Quiet mark approved with super quiet operation. Sound level as low as 54db (A).



**ELECTRONIC CONTROLLED EXPANSION VALVES**  
Optimising system efficiency by allowing the heat pump to run at a range of flow temperatures and capacities.



**VARIABLE SPEED-INVERTER DRIVEN COMPRESSOR**  
Low noise, high efficiency Panasonic rotary compressor; the heart of the system.



**HIGH FLOW HEAT EXCHANGERS WITH LARGE SURFACE AREA**  
Maximising the heat supplied to the property whilst maintaining high flow rates for efficient operation.



**USER-FRIENDLY TOUCHSCREEN INTERFACE**  
Covering all aspects of heat pump and system control; the brain of the system.



**LOW CURRENT**  
Designed to run from a standard single-phase domestic electricity supply.



**BUILT IN HIGH EFFICIENCY PUMP**  
Fully integrated Grundfos high efficiency pump for the heating circuit.



**INSTALLER FRIENDLY**  
Includes a number of installation friendly features as standard which will help facilitate a smooth installation.



**INSTALLATION & CONTROL ACCESSORIES AS STANDARD**  
Hydraulic kit includes: 1" flexibles x 2, 1" ball valves x 2, 1" elbows x 2, 1" Y strainer & Manual. Accessories kit includes: Controller, mounting plate, 10m extension cable, DHW Cylinder sensor (10m), Anti vibration mounts x 4.

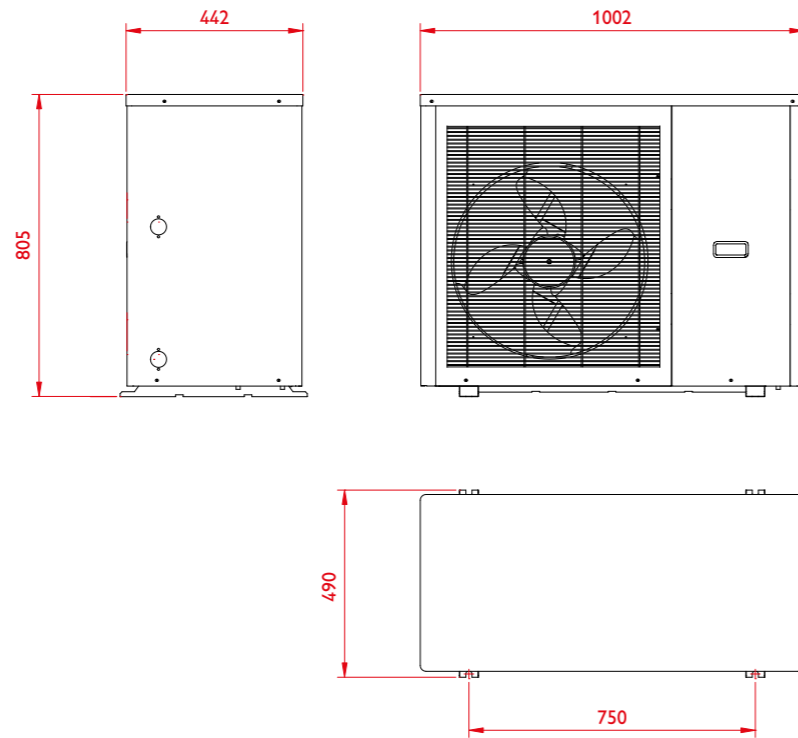


**WARMLINK APP CONTROL**  
Remote control & diagnostic capability through the cloud based app.

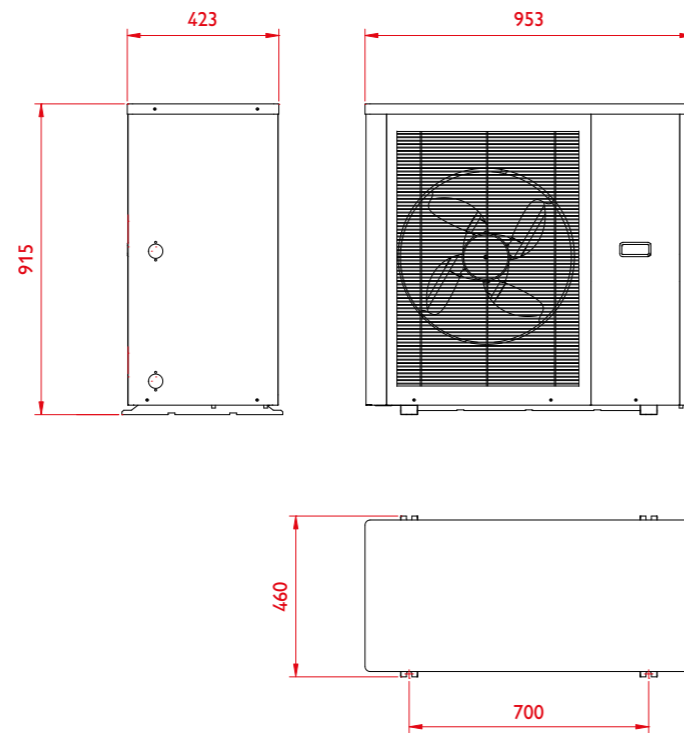


# TECHNICAL SPECIFICATION AND PERFORMANCE

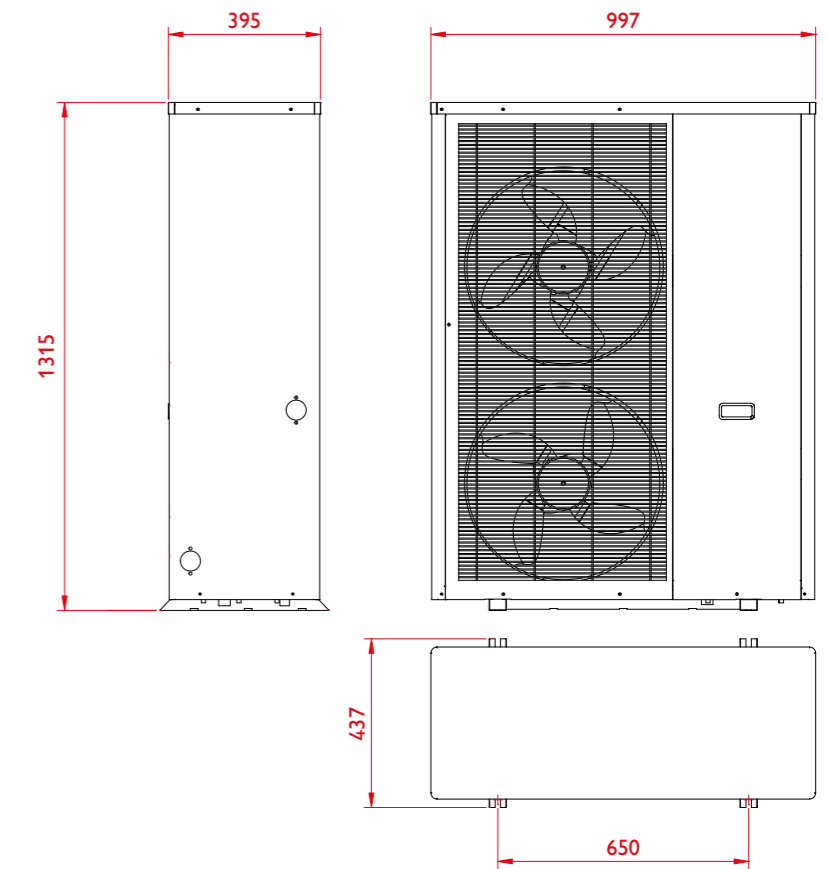
AS01-R32



AS02-R32



AS03-R32



## SPECIFICATIONS

PRODUCT DATA		AS01-R32	AS02-R32	AS03-R32
Dimensions (mm)	Width	1002	955	1000
	Depth	490	460	440
	Height	805	915	1315
Weight (kg)		90	108	157
Electrical Supply		230V Single Phase@50Hz	230V Single Phase@50Hz	230V Single Phase@50Hz
Maximum Current (Amps)		13	22	33
Nominal Sound Level (dBA)*		37-54	42-55	44-58
Performance (Max)	kW @ A7W35	8.3	12.5	20.5
	COP @ A7W35	4.58	4.35	4.67
	kW @ A7W55	6.6	10.1	15.4
	COP @ A7W55	2.68	2.67	2.51
	kW @ A-7W35	5.6	8.5	13.8
	COP @ A-7W35	3.22	2.88	3.48
	SCOP @ W35	4.55	4.02	4.06
SCOP @ W55	3.20	3.23	3.23	
ErP Efficiency Class (35°C / 55°C)^		A+++ / A++	A++ / A++	A++ / A++
Operating Temp (°C)	Ambient Air, min/max	-25/43	-25/52	-25/52
	Heating, min/max	20/60	20/60	20/60
Flow Rates (l/m)	Heating, min/max	10/20	16/30	28/60
	Type	R32	R32	R32
Refrigerant	Charge (kg)	1.30	1.70	2.00
	Connections	Heating Flow & Return	1" female BSP	1" female BSP





**WARMFLOW**  
**Nero**  
Hot Water Cylinder

## WARMFLOW HEAT PUMP CYLINDERS

The Warmflow cylinder range has been designed to satisfy the needs of even the most demanding household.

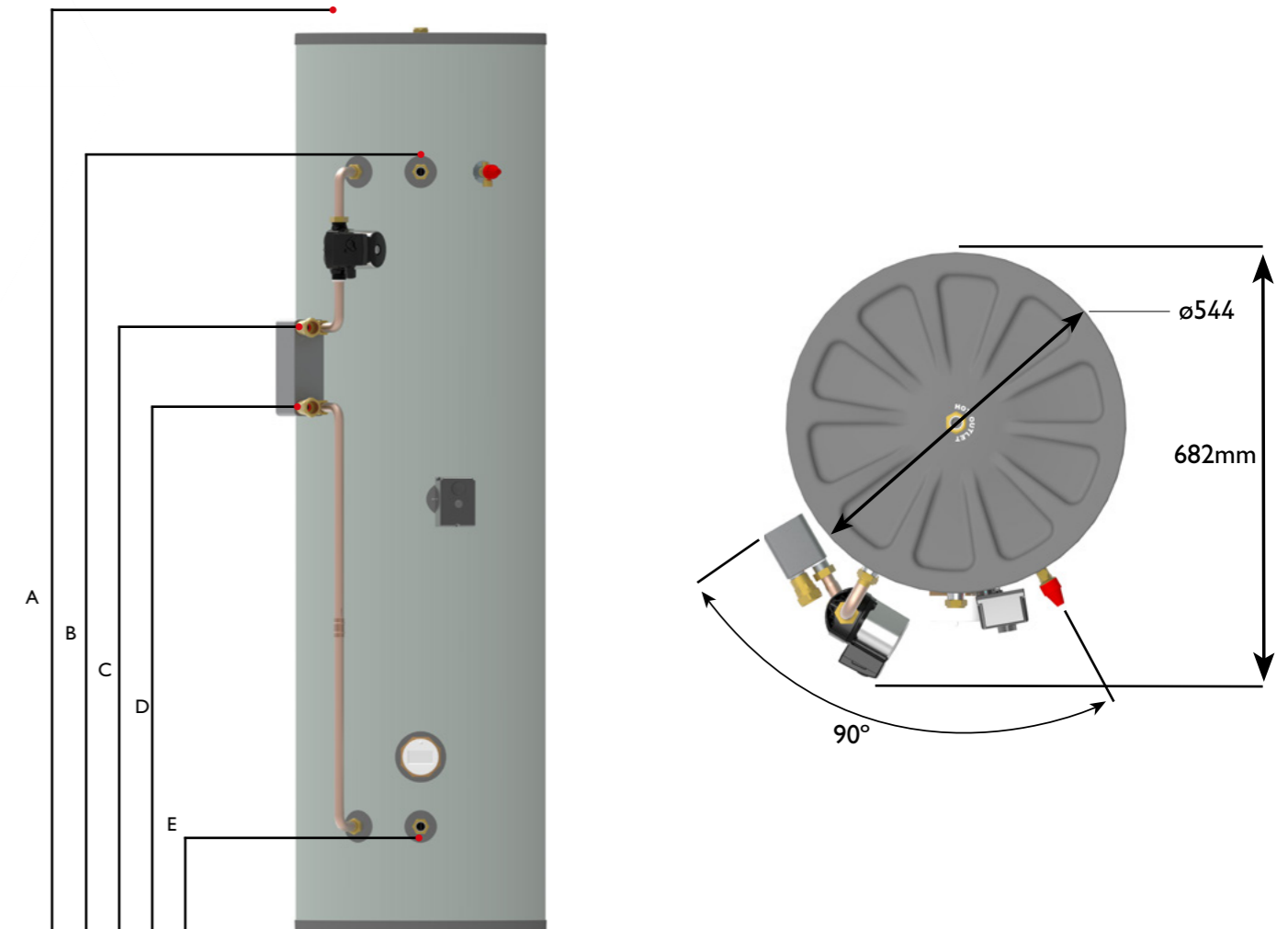
The innovative design of our range of heat pump cylinders ensures that you benefit from the largest hot water volumes, shortest heat-up times and lowest possible heat losses.

Available in four sizes from 170 to 290 litres to suit the vast majority of heat pump installations. Thanks to their large surface area and high performance plate heat exchanger, the heat pump models boast impressive heat-up times - the 170 litre model taking just 25 minutes to reach 60°C from cold.

Our Heat pump models, like the rest of the unvented range, are designed to be fed directly from the mains water supply via the inlet group supplied, which is capable of receiving incoming water at pressures up to a maximum of 16 bar.



HEAT PUMP HP200UV



HEAT PUMP CYLINDER				
	HP170UV	HP200UV	HP240UV	HP290UV
<b>DIMENSIONS</b>				
(A) Height	1205	1380	1655	1940
(B) Secondary return connection (mm)	905	1080	1355	1640
(C) Plate Heat Exchanger upper connection (mm)	569	744	1019	1304
(D) Plate Heat Exchanger lower connection (mm)	397	572	847	1132
(E) Cold Inlet connection (mm)	228	228	228	228
<b>OPERATING DATA</b>				
Cold water capacity (litres)	165	194	233	281
Weight when full (kg)	210	240	290	350
V40 Hot water volume (litres)	229	259	312	401
Standing heat loss (kWh/24h)	1.68	1.78	2.08	2.15
<b>PERFORMANCE</b>				
Primary coil rating @ 15 l/min (kW)	17.08	25.85	29.38	21.92
Heat up time by primary coil (mins)	25	21	22	34
<b>ERP RATING</b>				
	C	C	C	C





**WARMFLOW**  
**Zeno**

## A RANGE OF PACKAGES TO SUIT ALL YOUR INSTALLATION REQUIREMENTS

All of our Zeno air source heat pumps come with a basic kit which comprises of a touch screen, intelligent controller, factory fitted Grundfos circulating pump, Y strainer, flexi hose kit, isolating ball valve and 2 x 1" male to female elbows.

In addition, we offer a range of custom packs which include our very own Warmflow branded heat pump cylinder offering further value and a 1 stop shop to ensure your installation is as easy as possible. All the packs have been designed to enhance value for our customers and include only the finest quality, market leading branded goods.

Our range of custom packs are detailed in the tables:

### ZENO INVERTER DRIVEN AIR SOURCE HEAT PUMP MODELS

Includes controller, pump, heated drip tray, 1" x Y strainer, 1 x flexi hose kit, 2 x 1" isolating ball valve, 2 x 1" Male to Female Elbows

Code	Description
AS01-R32	Zeno 8kW ASHP
AS02-R32	Zeno 12kW ASHP
AS03-R32	Zeno 20kW ASHP

### PACK 1

#### ZENO INVERTER DRIVEN AIR SOURCE HEAT PUMP

Includes Adey Magnaclean 1" BSP, Ethylene Glycol conc 25l drum, 24ltr round expansion vessel c/w bracket, 50ltr insulated buffer tank, Flexi foot support (x 2)

Code	Description
AS01 K1	Zeno AS01-R32 with Pack 1
AS02 K1	Zeno AS02-R32 with Pack 1
AS03 K1	Zeno AS03-R32 with Pack 1

### PACK 2

#### ZENO INVERTER DRIVEN AIR SOURCE HEAT PUMP & 240ltr CYLINDER

Includes 240ltr heat pump cylinder, Full flow 3 port valve body & actuator, Adey Magnaclean 28mm, Ethylene Glycol conc 25l drum, 24ltr round expansion vessel c/w bracket, 50ltr insulated buffer tank, Flexi foot support (x 2)

Code	Description
AS01 K2	Zeno AS01-R32 with Pack 2
AS02 K2	Zeno AS02-R32 with Pack 2
AS03 K2	Zeno AS03-R32 with Pack 2

### PACK 3

#### ZENO INVERTER DRIVEN AIR SOURCE HEAT PUMP & 290ltr CYLINDER

Includes 290ltr heat pump cylinder, Full flow 3 port valve body & actuator, Adey Magnaclean 28mm, Ethylene Glycol conc 25l drum, 24ltr round expansion vessel c/w bracket, 50ltr insulated buffer tank, Flexi foot support (x 2)

Code	Description
AS01 K3	Zeno AS01-R32 with Pack 3
AS02 K3	Zeno AS02-R32 with Pack 3
AS03 K3	Zeno AS03-R32 with Pack 3

### PACK 4

#### ZENO INVERTER DRIVEN AIR SOURCE HEAT PUMP & 170ltr CYLINDER

Includes 170ltr heat pump cylinder, Full flow 3 port valve body & actuator, Adey Magnaclean 28mm, Ethylene Glycol conc 25l drum, 24ltr round expansion vessel c/w bracket, 50ltr insulated buffer tank, Flexi foot support (x 2)

Code	Description
AS01 K4	Zeno AS01-R32 with Pack 4
AS02 K4	Zeno AS02-R32 with Pack 4
AS03 K4	Zeno AS03-R32 with Pack 4

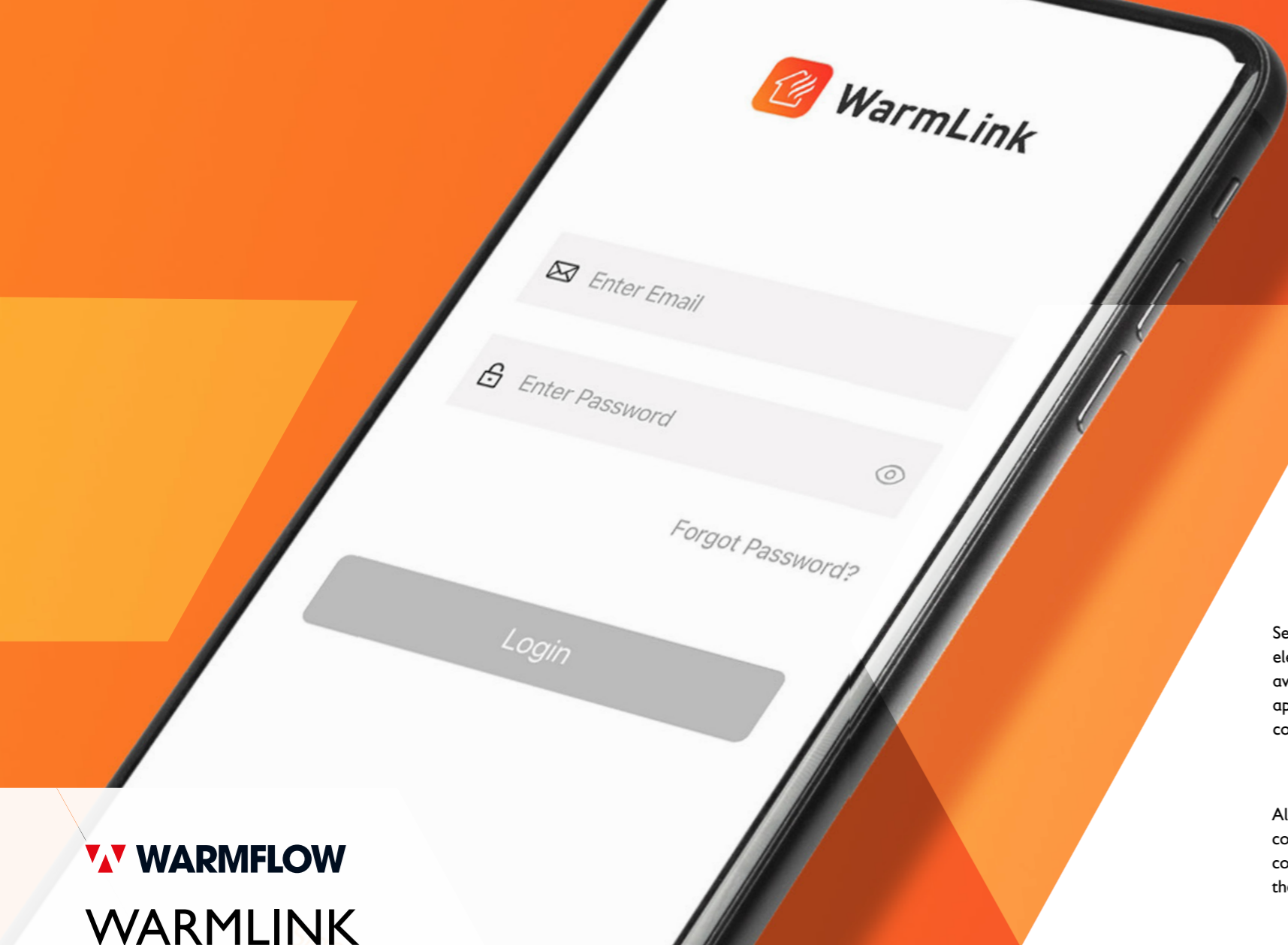
### PACK 5

#### ZENO INVERTER DRIVEN AIR SOURCE HEAT PUMP & 200ltr CYLINDER

Includes 200ltr heat pump cylinder, Full flow 3 port valve body & actuator, Adey Magnaclean 28mm, Ethylene Glycol conc 25l drum, 24ltr round expansion vessel c/w bracket, 50ltr insulated buffer tank, Flexi foot support (x 2)

Code	Description
AS01 K5	Zeno AS01-R32 with Pack 5
AS02 K5	Zeno AS02-R32 with Pack 5
AS03 K5	Zeno AS03-R32 with Pack 5

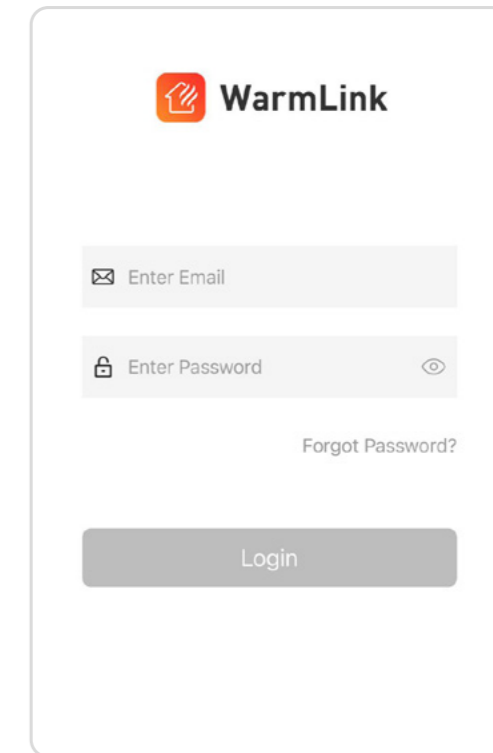




**WARMFLOW**  
**WARMLINK**

Setting up WarmLink access on your smartphone, tablet or electronic device couldn't be easier with a simple to use app available on google play or apple app store. Simply download the app, connect your device and start enjoying the benefits of remote control access to your Zeno air source heat pump.

All Warmflow Zeno air source heat pumps come with a communication module with built in SIM card which automatically connects to the cloud when the heat pump is activated. Simply scan the barcode using the WarmLink app to connect to your heat pump.



WarmLink is Warmflow's cloud based technology which provides effortless, easy to use remote control technology for homeowners and engineers. WarmLink allows users to control and monitor their Warmflow Zeno air source heat pump remotely or from the comfort of their sofa.

WarmLink is easy to use and offers a range of features including:



**APP CONTROL**

Fully control your appliance via your smartphone, tablet or PC.



**ERROR CODES**

In the unlikely event of a fault, your engineer will be able to remotely review error codes allowing for more efficient diagnosis and speedy response

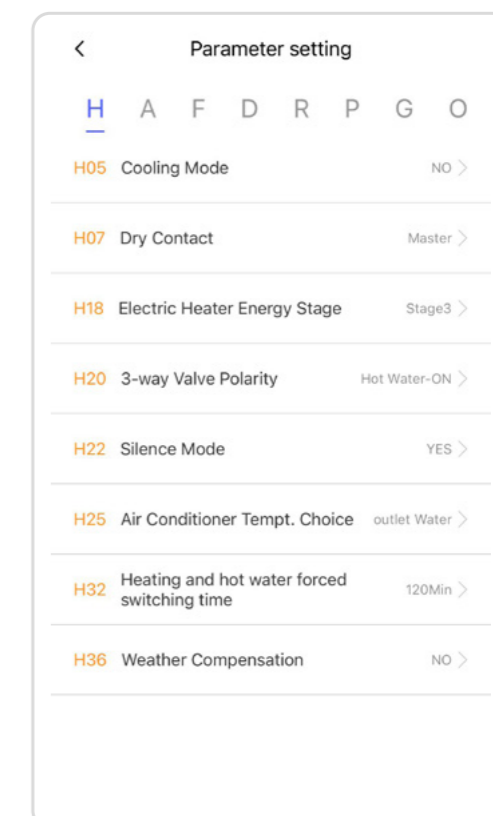
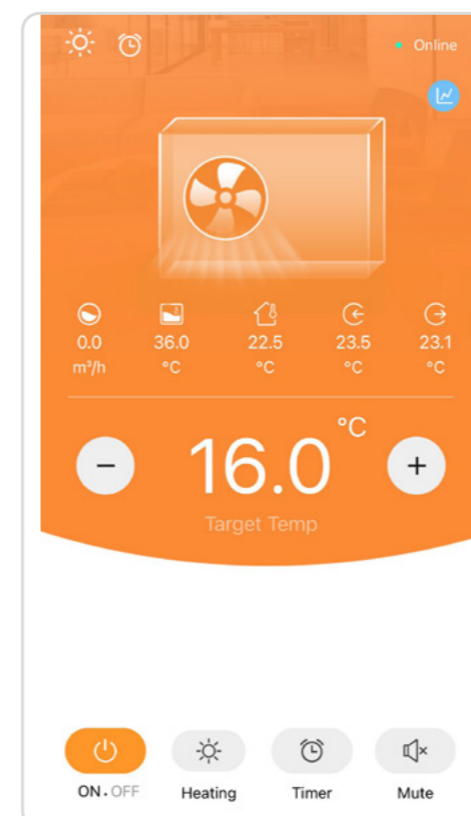


**EASY CONTROL**

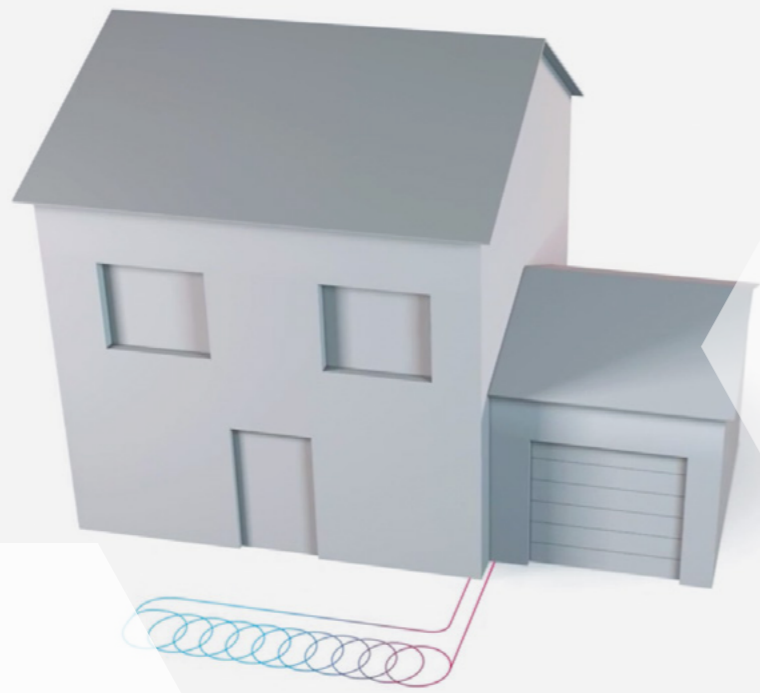
Easy control of the heating and hot water for your appliance from anywhere in the world to ensure maximum comfort in your home



The WarmLink user interface is now included as standard with all Warmflow Zeno air source heat pumps ensuring the smooth and efficient running of your appliance for many years to come.









## GROUND SOURCE HEAT PUMPS


What is a Ground source heat pump (GSHP)?


Ground source heat pumps (GSHPs) use a loop of pipe, called a ground loop, which is buried in your garden to extract heat from the ground. Heat from the ground is absorbed into the fluid and then passes through a heat exchanger into the heat pump which then transfers heat into your radiators or underfloor system. The length of the ground loop depends on the size of your home and the amount of heat your home requires to remain warm and cosy during the long winter months.

### Why Warmflow Zeno?


- 


**SINGLE PHASE ELECTRICITY SUPPLY UP TO 18kW**  
Designed to run from a standard single-phase domestic electricity supply.
- 


**QUIET OPERATION**  
Sound level as low as 47db (A).
- 


**VARIABLE SPEED-INVERTER DRIVEN COPELAND COMPRESSOR**  
Low noise, high efficiency Copeland compressor; the heart of the system.
- 


**USER-FRIENDLY INTERFACE**  
Powerful programmer with unique features to assist the installation, operation and servicing.

- 

**VARIABLE SPEED, HIGH EFFICIENCY PUMPS**  
Fully integrated, variable speed, high efficiency pump for the heating & brine circuits modulates flow to match heating demand and overcome hydraulic resistance whilst maintaining peak efficiency.
- 

**INSTALLATION ACCESSORIES AS STANDARD**  
Includes flexible hoses, filters and 3 port diverting valve.
- 

**ELECTRONIC CONTROLLED EXPANSION VALVE**  
Optimising system efficiency by allowing the heat pump to run at a range of flow temperatures and capacities.
- 

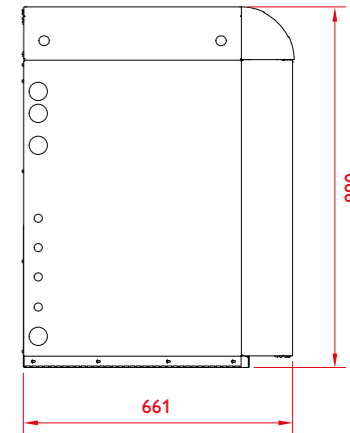
**HIGH FLOW HEAT EXCHANGERS WITH LARGE SURFACE AREA**  
Maximising the heat supplied to the property whilst maintaining high flow rates for efficient operation.
- 

**HIGH TEMPERATURE OUTPUT**  
Flow temperature up to 60°C means domestic hot water (DHW) can be produced without the need for additional heat sources.



**A+++**

**UP TO 18kW**  
Single phase electricity supply



### SPECIFICATIONS

PRODUCT DATA		GS03
Dimensions (mm)	Width	590
	Depth	660
	Height	890
Weight (kg)		130
Electrical Supply		230V Single Phase@50Hz
Maximum Current (Amps)		32
Nominal Sound Level (dBA)*		47
Ambient temperature min/max (°C)		5/40
Ambient humidity (%)		80
Performance	COP @ B0W35 ^	4.87 @ 8.53kW
	COP @ B0W55 ^	2.99 @ 9.05kW
	Heat Output Range	4.5-18kW
	ErP Efficiency Class (35°C / 55°C)^	A+++ / A+++
Operating Temp (°C)	Brine Flow, min/max	-5/15
	Heating Flow, min/max	30/60
Flow Rates (l/m)	Brine, min/max	20/75
	Heating, min/max	14/60
Pressures (bar)	Brine, min/max	0.5/3.0
	Heating, min/max	0.5/3.0
Refrigerant	Type	R410A
	Charge (kg)	3.10
Compressor Oil	Type	RL32 3MAF
	Quantity (l)	1.5
Connections	Brine Flow & Return	1½" female BSP
	Heating Flow & Return	1¼" female BSP

\*Nominal Sound Levels have been independently tested in accordance with EN 12102.

^COP and Heat Power ratings have been independently tested in accordance with EN 14511.





## TRAINING COURSES

Become a Warmflow Connect installer and gain a number of benefits, including free training for both oil and renewables.

## WARMFLOW CUSTOMER SUPPORT

Total peace of mind with our product warranties and dedicated customer support team

At Warmflow we're confident about the quality and performance of all our products and we want our customers to be confident too. That's why all Warmflow products come with comprehensive and industry-leading warranties, backed by our own in-house Customer Support Team.

Whatever your need, our dedicated team of Customer Support specialists is on hand to provide expert knowledge before, during and after sales, taking complete care of all your customer support needs and helping you get the most from your Warmflow product. With Warmflow you'll have peace of mind that your heating appliance is in safe hands.

Full details of our product warranties are available at [www.warmflow.co.uk](http://www.warmflow.co.uk).



At Warmflow we offer a range of oil and renewable training course to suit all requirements at our training centres.

For more information please email [sales@warmflow.co.uk](mailto:sales@warmflow.co.uk) or call 028 9262 1515

HEAD OFFICE	GB OFFICE
Lisburn	Telford

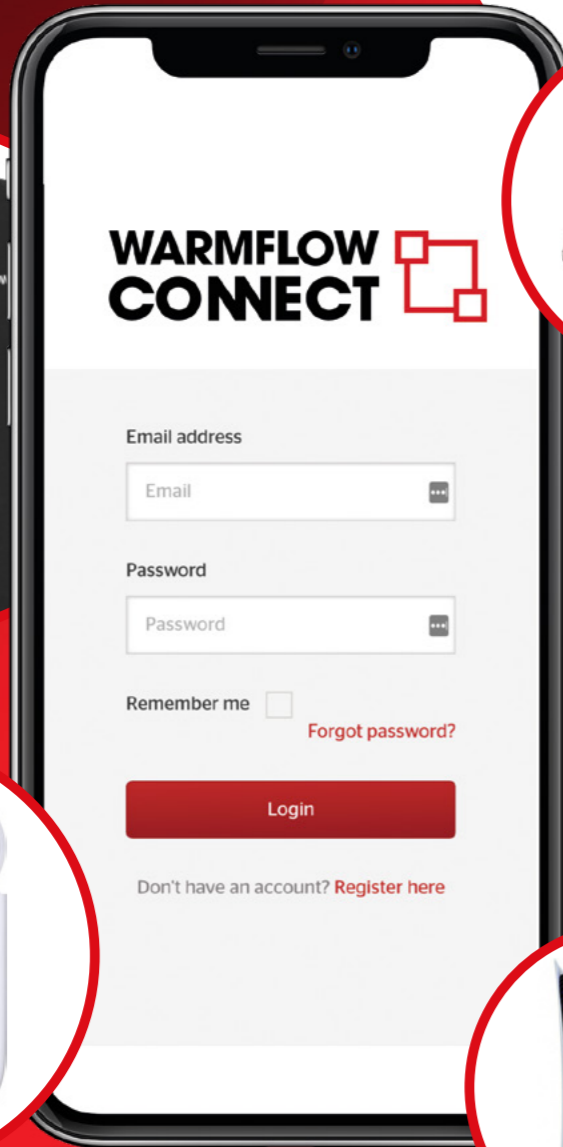
### TRAINING CENTRES

1. Lisburn
2. Telford
3. Exeter
4. Hailsham
5. Langport
6. York
7. Cumbria
8. Scotland
9. Wrexham
10. Norwich

\*Connect Installer scheme subject to T&Cs. Visit [www.warmflow.co.uk](http://www.warmflow.co.uk) for more information



SIGN UP TO OUR  
INSTALLER SCHEME.  
IT'S AS EASY AS 1, 2, 3



## Are you a Warmflow installer, Why not sign up to our Installer Scheme?

The Warmflow Installer Scheme will allow you to register all of your Warmflow products, purchase extended warranties and claim rewards for every purchase you make. Points mean rewards with Warmflow. Sign up online today at the Warmflow Connect platform [connect.warmflow.co.uk](https://connect.warmflow.co.uk) Email [connect@warmflow.co.uk](mailto:connect@warmflow.co.uk) or contact your Warmflow sales representative.



INNOVATIVE | RELIABLE | EFFICIENT

## WARM AIR HEATING SYSTEMS

Ideal for:

Garages

Warehouses

Commercial &  
Domestic Workshops



For more information please visit [www.warmflow.co.uk](https://www.warmflow.co.uk) contact [sales@warmflow.co.uk](mailto:sales@warmflow.co.uk) or call 028 9262 1515

### WARM AIR HEATERS

WAH11	WAH23	WAH56
44kW	87.9kW	175.8kW