

Technical Bulletin

Product: Worcester ErP & ErP+ oil boilers & flues

GREENSTAR UTILITY 32/50 & 50/70 ERP+

Please note that there are differences between the previous Oilfit 100/150mm vertical flue (7716 190 044) and the new Oilfit 100/150mm vertical flue (7731 600 210).

The Oilfit 100/150mm vertical flue 7731 600 210 can only be used on the **Greenstar Utility 32/50 & 50/70 ErP+** models and cannot be used with the **Greenstar Utility 32/50 & 50/70 ErP** models.

The flue connection for the 32/50 & 50/70 'ErP+' models are completely different to the previous 32/50 & 50/70 'ErP' models, as shown in the diagrams Figure 2 & 3. Not only is the boiler connection different the flue terminal is a different design as well and these are not interchangeable.

The correct vertical flue terminal should only be used with the correct boiler model in all cases. See table 1 below for compatibility. If the correct termination is not used with the correct boiler, there could be instances of poor combustion and the possibility of nuisance burner lockouts. The flue extensions, 90 degree elbows and 45 degree elbows are all compatible with either flue kit.

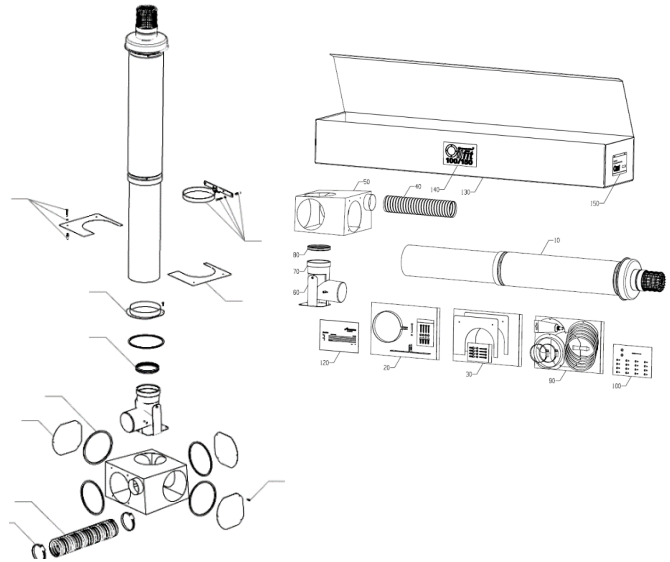


Fig. 2) Oilfit 100/150mm vertical flue kit 7716 160 044

Boilers	Part Numbers
Worcester Greenstar Utility ErP+ 32/50	7731 600 171
Worcester Greenstar Utility ErP+ 50/70	7731 600 172
Compatible flue kits	
Standard Horizontal flue kit 100/150mm Ø	7731 600 209
Vertical BF kit 100/150mm Ø	7731 600 210
Conventional flue adaptor	7731 600 211

Boilers	Part Numbers
Worcester Greenstar Utility ErP 32/50	7731 600 073
Worcester Greenstar Utility ErP 50/70	7731 600 074
Compatible flue kits	
Standard Horizontal flue kit 100/150mm Ø	7716 190 043
Vertical BF kit 100/150mm Ø	7716 190 044
Conventional flue adaptor	7716 190 049

Table 1) Compatibility of boilers and flue terminal kits

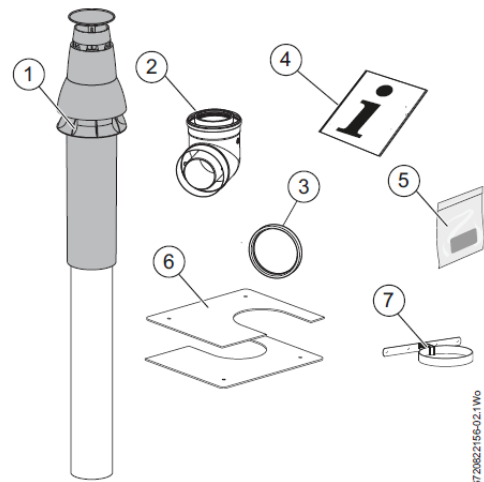


Fig. 3) Oilfit 100/150mm vertical flue kit 7731 600 210

Whilst it is always our intention to fully assist, it is essential to recognise that all information given by the company in response to an enquiry of any nature is provided in good faith and based upon the information provided with the enquiry. We recommend that advice should always be checked with your installer or contract partner. Consequently, the company cannot be held responsible for any liability relating to the use or repetition of such information or part thereof. In addition, whilst making every reasonable effort to monitor the performance and quality of our supply, installation and service network, we do not accept responsibility for the workmanship or operation of any third party company that the company may have promoted either in conversation, e-mail, or other communication. Similarly, the views and opinions expressed in communication with individuals within the company may not reflect that of the business as a whole.

GREENSTAR HEATSLAVE, UTILITY & DANESMOOR 12/18, 18/25 & 25/32 ERP+

Please note that there are differences between the previous Oilfit 80/125mm vertical flue (7716 190 103) and the new Oilfit 80/125mm vertical flue (7731 600 218)

The new Oilfit 80/125mm vertical flue (7731 600 218) can be used on both ErP+ and the previous ErP oil boiler models and is fully backwards compatible.

However the previous **Oilfit 80/125mm vertical flue (7716 190 103)** can only be used for the ErP models and is not forwards compatible. In a boiler replacement installation, it is important that the flue is replaced with the correct vertical flue terminal

GREENSTAR UTILITY 32/50 & 50/70 HORIZONTAL FLUES

The previous horizontal flue (7716 190 043) is only suitable for the Greenstar Utility 32/50 & 50/70 ErP boilers, which are now discontinued. The new horizontal flue (7731 600 209) is only compatible with the Greenstar Utility 32/50 & 50/70 ErP+ boilers

3.3 Room sealed horizontal flue

Part Number: 7-731-600-209 including:

1. Terminal assembly
2. Outer flue seal 150mm
3. Wall plates
4. Flue kit installation instructions
5. Accessories

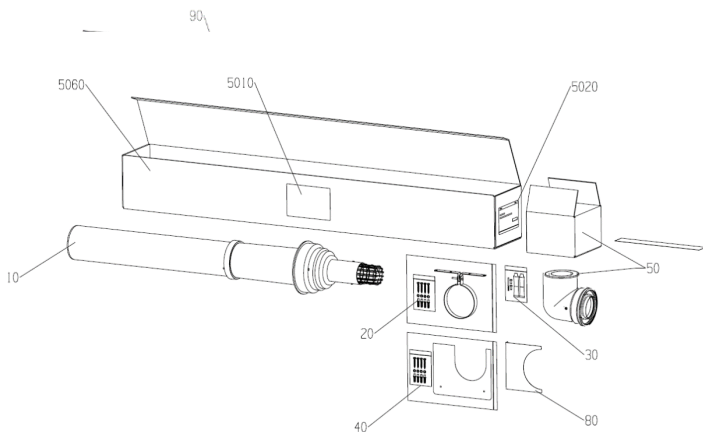


Fig. 4) Oilfit 80/125mm vertical flue kit 7716 190 103

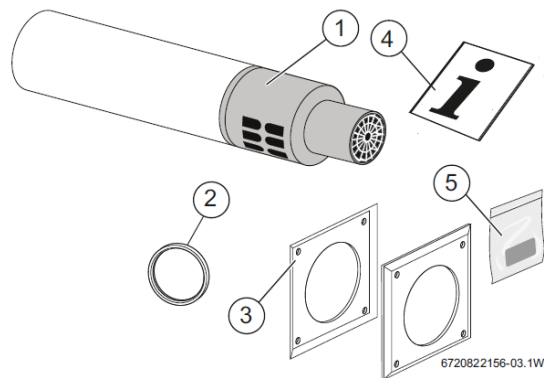


Fig. 6) Oilfit 100/150mm horizontal flue kit 7731 600 209

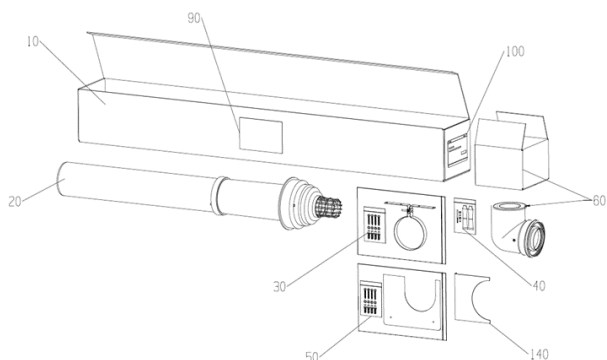


Fig. 5) Oilfit 80/125mm vertical flue kit 7731 600 218

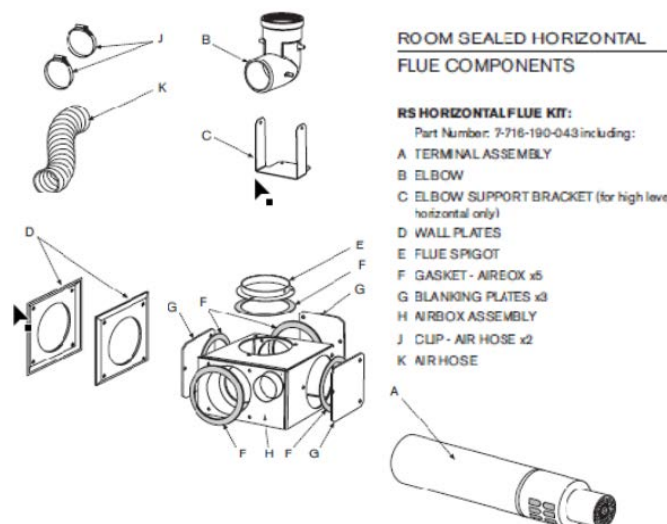


Fig. 7) Oilfit 100/150mm horizontal flue kit 7716 190 043

Whilst it is always our intention to fully assist, it is essential to recognise that all information given by the company in response to an enquiry of any nature is provided in good faith and based upon the information provided with the enquiry. We recommend that advice should always be checked with your installer or contract partner. Consequently, the company cannot be held responsible for any liability relating to the use or repetition of such information or part thereof. In addition, whilst making every reasonable effort to monitor the performance and quality of our supply, installation and service network, we do not accept responsibility for the workmanship or operation of any third party company that the company may have promoted either in conversation, e-mail, or other communication. Similarly, the views and opinions expressed in communication with individuals within the company may not reflect that of the business as a whole.

Further flue components informaiton
32/50 & 50/70 ERP+ BOILERS 100/150MM Ø
Standard horizontal flue kit **new part no** **7731 600 209**
Vertical BF flue kit **new part no** **7731 600 210**
Conventional flue adaptor kit (130mm Ø) **new part no** **7731 600 211**
12/18, 18/25 & 25/32 BOILERS ERP+ 80/125MM Ø
Standard horizontal flue kit 7716 190 064

Short telescopic flue kit 7716 190 062

Vertical flue kit **new part no** **7731 600 218**
1m extension 7716 190 033

600mm extension 7716 190 097

90 degree bend 7716 190 034

45 degree bend 7716 190 035

In-fill plate 7716 190 105

Flue damper 7716 190 101

Flashing (flat roof) 7716 191 090

Flashing (pitched roof) 7716 191 091

Flue terminal guard 7716 190 050

Conventional flue adaptor kit (100mm) 7716 100 104

Conventional flue adaptor kit (130mm) 7716 100 065

Plume management kit 7716 190 092

Plume management kit 1m extension 7716 190 093

Plume management kit 90 degree bend 7716 190 095

Plume management kit 45 degree bend 7716 190 094

Flexible flue kit (8m) 7716 190 076

Flexible flue kit (12m) 7716 190 077

Telescopic extension (flexi flue) 7716 190 068

1m extension (flexi flue) 7716 190 066

500mm extension (flexi flue) 7716 190 067

45 degree bend (flexi flue) 7716 190 069

Wall cover plate (flexi flue) 7716 190 074

Whilst it is always our intention to fully assist, it is essential to recognise that all information given by the company in response to an enquiry of any nature is provided in good faith and based upon the information provided with the enquiry. We recommend that advice should always be checked with your installer or contract partner. Consequently, the company cannot be held responsible for any liability relating to the use or repetition of such information or part thereof. In addition, whilst making every reasonable effort to monitor the performance and quality of our supply, installation and service network, we do not accept responsibility for the workmanship or operation of any third party company that the company may have promoted either in conversation, e-mail, or other communication. Similarly, the views and opinions expressed in communication with individuals within the company may not reflect that of the business as a whole.

You can find this, and all issued technical bulletins on the Worcester website at: www.worcester-bosch.co.uk/tb or www.worcester-bosch.ie/tb

Worcester Bosch, Cotswold Way, Warndon, Worcester WR4 9SW

Technical Support: 0330 123 3366 | technical-advice@uk.bosch.com