

# Zip InLine DEX



Zip InLine DEX12 Next electronic instantaneous water heater for single outlet or multiple outlets. Highly efficient bare wire for fast heat up and zero standing losses, Zip InLine is the most energy efficient way to directly heat water, electrically. Two temperature settings can be programmed using touch sensitive keys within the range 20°C-60°C.



MODEL	ENERGY CLASS (H/C)	MIN/MAX FLOW RATE	NOMINAL POWER RATING KW	DIMENSIONS W X D X H
DEX12NEXT	A	1.5lpm / 5lpm	8.8 / 11.5 kW @ 230V AC	239mm x 96mm x 468mm

## Features and benefits

- Electronically controlled instantaneous electric water heaters for supplying single or multiple outlets.
- The most energy efficient way of directly heating water electrically.
- Highly efficient bare wire heating system.
- Zero standing heat loss as no stored water.
- Instant hot water.
- Provides a constant supply of hot water at exactly the temperature selected.
- Heating power electronically adjusted to compensate for variable inlet pressures and temperatures.

## Product detail

---

### Specification type

---

Product code	DEX12NEXT
Product name	InLine DEX12 Next Instantaneous 8.8-11.5 kW
Energy efficiency class	A
Element type	Bare wire heating system
IP rating	25

---

### Capacity, weights & dimensions

---

Product weight	3.8kg
Filled Product Weight	4.2kg
Unit dimensions (W x D x H) mm	239 x 96 x 468

---

### Electrical

---

Nominal power rating	8.8 / 11.5 kW @ 230V AC
Nominal power supply	240V
Nominal rated current	38 / 50 amps

---

### Plumbing

---

Wholesome water supply	Yes
Water connection Size	1/2BSP
Min water pressure	2bar
Max water pressure	6bar
Minimum flow rate l/pm	1.5
Maximum flow rate l/pm	5
Temperature increase at maximum flow rate	28 / 38°C
Minimum water resistance @ 15oc	1100

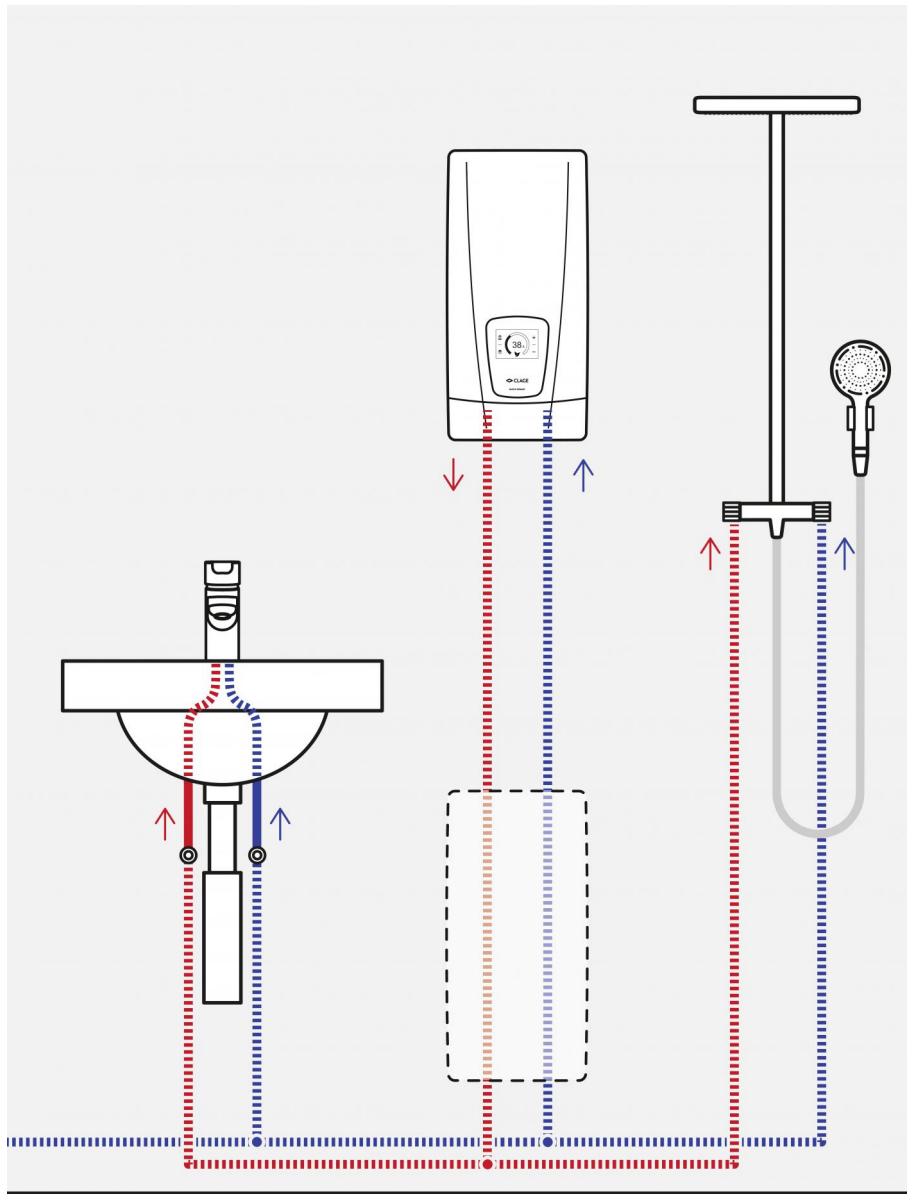
---

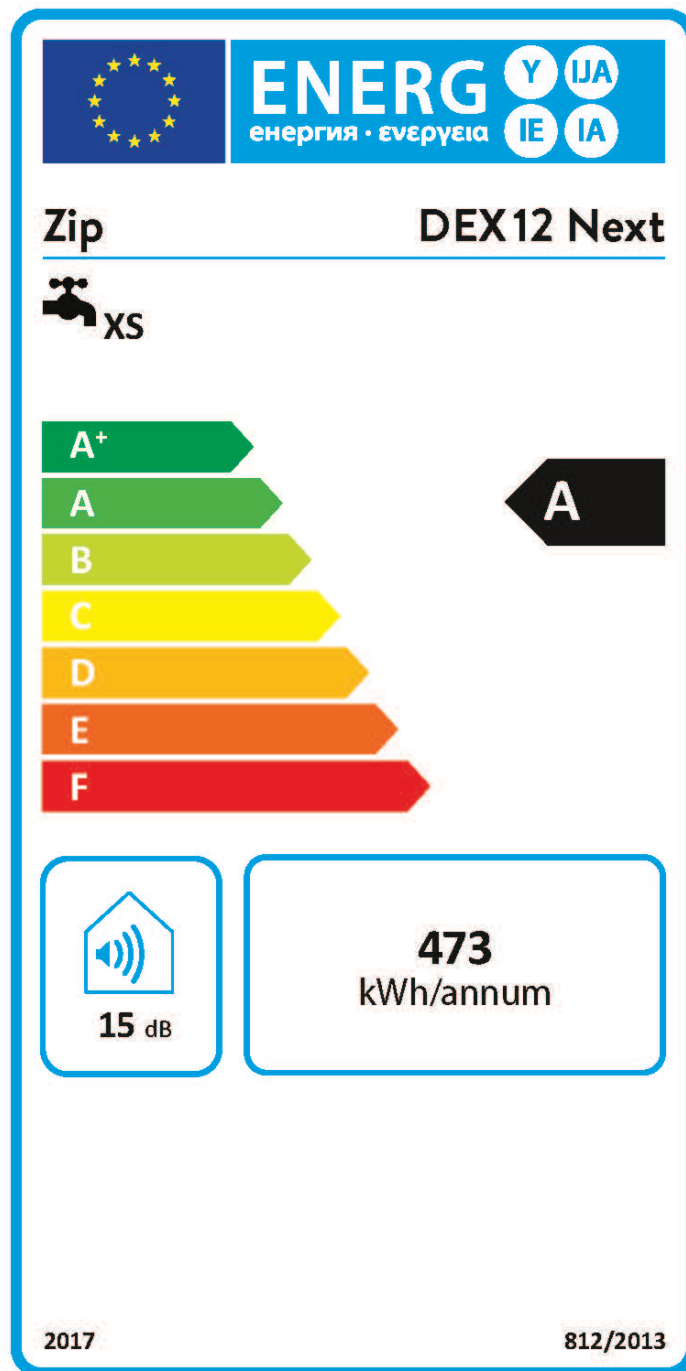
Installation - Plumbing (H/C)	The appliance is intended for connection to a wholesome water supply. The specific water resistance of the supply must not fall below the minimum specified on the rating plate. Hot and cold connecting pipes should be WRAS approved and of copper or steel construction. Plastic pipes may only be used if conforming to DIN 16893 Series 2. The hot water pipes must be thermally insulated. Minimum flow rate 1.5 litres/min. Should be installed by a suitably qualified installer of electric instantaneous water heaters.
-------------------------------	---

---

The minimum water pressure will vary if a limescale filter is installed. Please contact us to discuss your requirements.

## Typical Installation






## Accessories

---

Visit [specify.zipwater.co.uk](https://specify.zipwater.co.uk) to find out more information about Zip InLine DEX Accessories

Image	SKU	Title
 IMAGE COMING SOON	ZL024	Remote control unit for DEX12NEXT

---